

Hawker Beechcraft Corporation

F33/G33/F33A/F33C ILLUSTRATED PARTS CATALOG

CH-SECT-FIG	PAGE NO.	DATE	CH-SECT-FIG	PAGE NO.	DATE
32-CONTENTS	1	JUL 01/12	32-33-01	1	JUL 01/12
32-CONTENTS	2	JUL 01/12	32-33-03	0	JUL 01/12
32-10-01	0	JUL 01/12	32-33-03	1	JUL 01/12
32-10-01	0A	JUL 01/12	32-33-05	0	JUL 01/12
32-10-01	0B	JUL 01/12	32-33-05	1	JUL 01/12
32-10-01	0C	JUL 01/12	32-40-01	0	JUL 01/12
32-10-01	1	JUL 01/12	32-40-01	1	JUL 01/12
32-10-01	2	JUL 01/12	32-40-03	0	JUL 01/12
32-10-01	3	JUL 01/12	32-40-03	1	JUL 01/12
32-10-01	4	JUL 01/12	32-41-01	0	JUL 01/12
32-10-01	5	JUL 01/12	32-41-01	1	JUL 01/12
32-10-01	6	JUL 01/12	32-41-03	0	JUL 01/12
32-10-01	7	JUL 01/12	32-41-03	1	JUL 01/12
32-11-01	0	JUL 01/12	32-41-03	2	JUL 01/12
32-11-01	1	JUL 01/12	32-41-03	3	JUL 01/12
32-11-01	2	JUL 01/12	32-42-01	0	JUL 01/12
32-11-01	3	JUL 01/12	32-42-01	1	JUL 01/12
32-20-01	0	JUL 01/12	32-42-03	0	JUL 01/12
32-20-01	0A	JUL 01/12	32-42-03	1	JUL 01/12
32-20-01	1	JUL 01/12	32-42-03	2	JUL 01/12
32-20-01	2	JUL 01/12	32-43-01	0	JUL 01/12
32-20-01	3	JUL 01/12	32-43-01	0A	JUL 01/12
32-20-01	4	JUL 01/12	32-43-01	0B	JUL 01/12
32-20-03	0	JUL 01/12	32-43-01	0C	JUL 01/12
32-20-03	0A	JUL 01/12	32-43-01	1	JUL 01/12
32-20-03	1	JUL 01/12	32-43-01	2	JUL 01/12
32-20-03	2	JUL 01/12	32-43-01	3	JUL 01/12
32-21-01	0	JUL 01/12	32-43-01	4	JUL 01/12
32-21-01	1	JUL 01/12	32-43-01	5	JUL 01/12
32-21-01	2	JUL 01/12	32-43-03	0	JUL 01/12
32-30-01	0	JUL 01/12	32-43-03	0A	JUL 01/12
32-30-01	0A	JUL 01/12	32-43-03	1	JUL 01/12
32-30-01	0B	JUL 01/12	32-43-03	2	JUL 01/12
32-30-01	1	JUL 01/12	32-43-03	3	JUL 01/12
32-30-01	2	JUL 01/12	32-43-03	4	JUL 01/12
32-30-01	3	JUL 01/12	32-43-03	5	JUL 01/12
32-30-01	4	JUL 01/12	32-43-03	6	JUL 01/12
32-30-01	5	JUL 01/12	32-43-05	0	JUL 01/12
32-31-01	0	JUL 01/12	32-43-05	0A	JUL 01/12
32-31-01	0A	JUL 01/12	32-43-05	0B	JUL 01/12
32-31-01	0B	JUL 01/12	32-43-05	1	JUL 01/12
32-31-01	1	JUL 01/12	32-43-05	2	JUL 01/12
32-31-01	2	JUL 01/12	32-43-05	3	JUL 01/12
32-31-01	3	JUL 01/12	32-43-05	4	JUL 01/12
32-31-01	4	JUL 01/12	32-44-01	0	JUL 01/12
32-31-01	5	JUL 01/12	32-44-01	1	JUL 01/12
32-32-01	0	JUL 01/12	32-45-01	0	JUL 01/12
32-32-01	0A	JUL 01/12	32-45-01	1	JUL 01/12
32-32-01	1	JUL 01/12	32-45-03	0	JUL 01/12
32-32-01	2	JUL 01/12	32-45-03	1	JUL 01/12
32-32-01	3	JUL 01/12	32-46-01	0	JUL 01/12
32-32-01	4	JUL 01/12	32-46-01	1	JUL 01/12
32-33-01	0	JUL 01/12			

* THE ASTERISK INDICATES PAGES CHANGED OR ADDED BY THE CURRENT REVISION

Hawker Beechcraft Corporation

F33/G33/F33A/F33C ILLUSTRATED PARTS CATALOG

CH-SECT-FIG	PAGE NO.	DATE
32-50-01	0	JUL 01/12
32-50-01	0A	JUL 01/12
32-50-01	1	JUL 01/12
32-50-01	2	JUL 01/12
32-51-01	0	JUL 01/12
32-51-01	1	JUL 01/12
32-60-01	0	JUL 01/12
32-60-01	0A	JUL 01/12
32-60-01	0B	JUL 01/12
32-60-01	0C	JUL 01/12
32-60-01	1	JUL 01/12
32-60-01	2	JUL 01/12
32-60-01	3	JUL 01/12
32-60-01	4	JUL 01/12

CH-SECT-FIG	PAGE NO.	DATE
-------------	----------	------

* THE ASTERISK INDICATES PAGES CHANGED OR ADDED BY THE CURRENT REVISION

Hawker Beechcraft Corporation

F33/G33/F33A/F33C ILLUSTRATED PARTS CATALOG

CHAPTER 32 - LANDING GEAR

TABLE OF CONTENTS

SUBJECT	CHAPTER SECTION	FIGURE	EFFECT
MAIN GEAR AND DOORS	32-10		
MAIN LANDING GEAR	32-10	01	CD1235-CD1304 CE0290-CE9999 CJ0026-CJ9999
MAIN GEAR DOORS	32-11	01	CD1235-CD1304 CE0290-CE9999 CJ0026-CJ9999
NOSE GEAR AND DOORS	32-20		
NOSE LANDING GEAR	32-20	01	CD1235-CD1304 CE0290-CE0979 CJ0026-CJ0155
NOSE LANDING GEAR	32-20	03	CE0980-CE9999 CJ0156-CJ9999
NOSE GEAR DOORS	32-21	01	CD1235-CD1304 CE0290-CE9999 CJ0026-CJ9999
EXTENSION AND RETRACTION	32-30		
MAIN LANDING GEAR RETRACT SYSTEM	32-30	01	CD1235-CD1304 CE0290-CE9999 CJ0026-CJ9999
NOSE GEAR RETRACT SYSTEM	32-31	01	CD1235-CD1304 CE0290-CE9999 CJ0026-CJ9999
LANDING GEAR RETRACT GEARBOX	32-32	01	CD1235-CD1304 CE0290-CE9999 CJ0026-CJ9999
LANDING GEAR RETRACT MOTOR	32-33	01	CD1235-CD1304 CE0290-CE0606 CJ0026-CJ0104
LANDING GEAR RETRACT MOTOR - 14 VOLT	32-33	03	CE0607-CE0747 CE0749-CE0771 CJ0105-CJ0148
LANDING GEAR RETRACT MOTOR - 28 VOLT	32-33	05	CE0748 CE0772-CE9999 CJ0149-CJ9999
WHEELS AND BRAKES	32-40		
MAIN GEAR WHEEL	32-40	01	CD1235-CD1271 CE0290-CE0300 CJ0026-CJ0030
MAIN GEAR WHEEL	32-40	03	CD1272-CD1304 CE0301-CE9999 CJ0031-CJ9999
NOSE GEAR WHEEL	32-41	01	CD1235-CD1257 CE0290-CE0300 CJ0026-CJ0030

32 - CONTENTS

PAGE 1

JUL 01/12

Hawker Beechcraft Corporation

F33/G33/F33A/F33C ILLUSTRATED PARTS CATALOG

CHAPTER 32 - LANDING GEAR

TABLE OF CONTENTS

SUBJECT	CHAPTER SECTION	FIGURE	EFFECT
NOSE GEAR WHEEL	32-41	03	CD1258-CD1304 CE0301-CE9999 CJ0031-CJ9999
BRAKES	32-42	01	CD1235-CD1271 CE0290-CE0300 CJ0026-CJ0030
BRAKES	32-42	03	CD1272-CD1304 CE0301-CE9999 CJ0031-CJ9999
BRAKE PLUMBING	32-43	01	CD1235-CD1243 CE0290-CE0301 CJ0026
BRAKE PLUMBING	32-43	03	CD1244-CD1304 CE0302-CE9999 CJ0027-CJ9999
BRAKE PLUMBING - DUAL BRAKES	32-43	05	CE0839-CE9999 CJ0150-CJ9999
BRAKE MASTER CYLINDER	32-44	01	
BRAKE SHUTTLE VALVE	32-45	01	CD1235-CD1304 CE0290-CE0761 CJ0026-CJ0138
BRAKE SHUTTLE VALVE	32-45	03	CE0762-CE0838 CJ0139-CJ0149
PARKING BRAKE VALVE	32-46	01	CD1235-CD1304 CE0290-CE0838 CJ0026-CJ0149
STEERING	32-50		
NOSE GEAR STEERING	32-50	01	CD1235-CD1304 CE0290-CE9999 CJ0026-CJ9999
NOSE GEAR SHIMMY DAMPER	32-51	01	
POSITION AND WARNING	32-60		
LANDING GEAR SAFETY SYSTEM	32-60	01	CD1235-CD1304 CE0290-CE9999 CJ0026-CJ9999

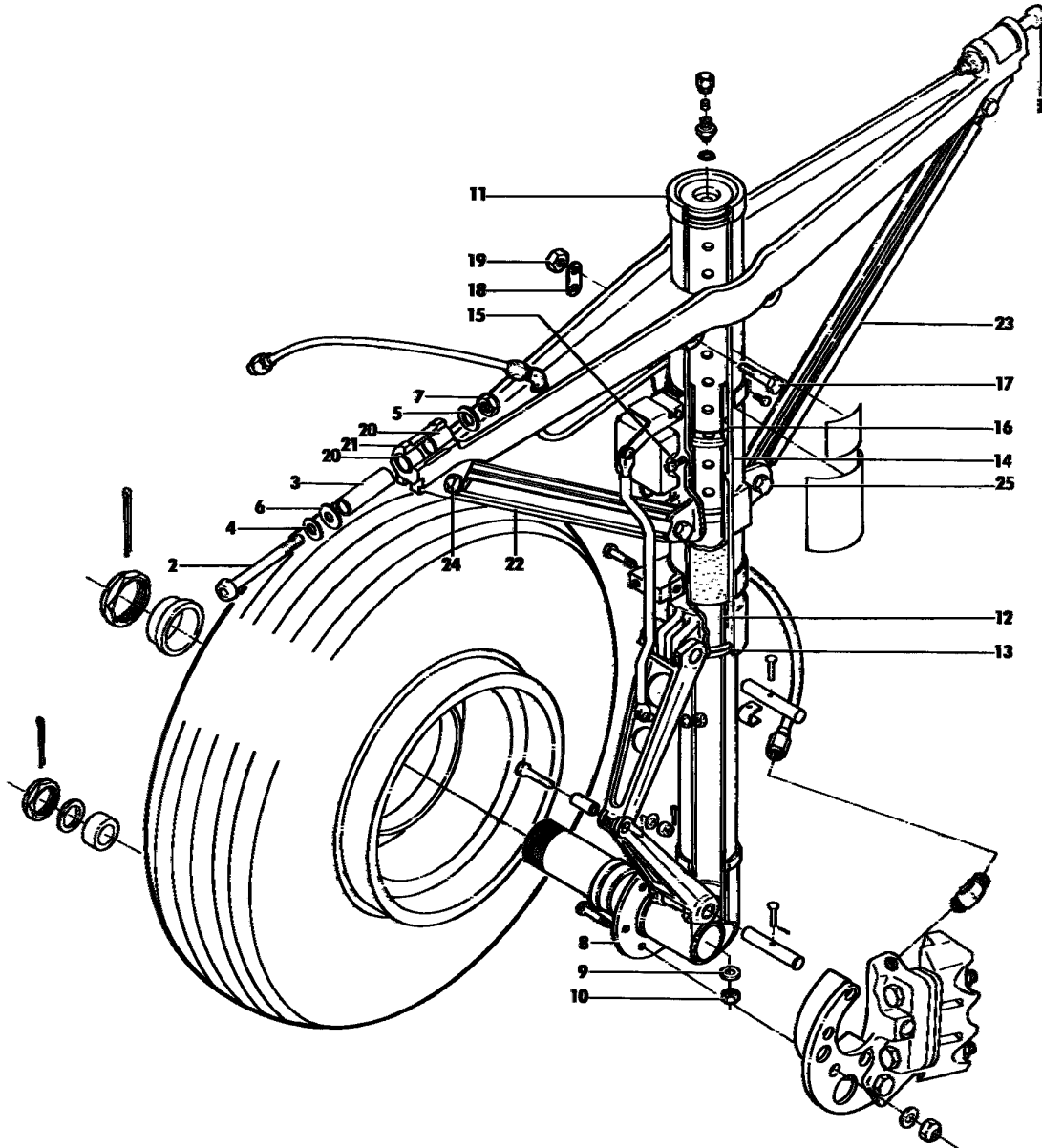
Hawker Beechcraft Corporation

F33/G33/F33A/F33C ILLUSTRATED PARTS CATALOG

PAGE INTENTIONALLY LEFT BLANK

Hawker Beechcraft Corporation

F33/G33/F33A/F33C ILLUSTRATED PARTS CATALOG



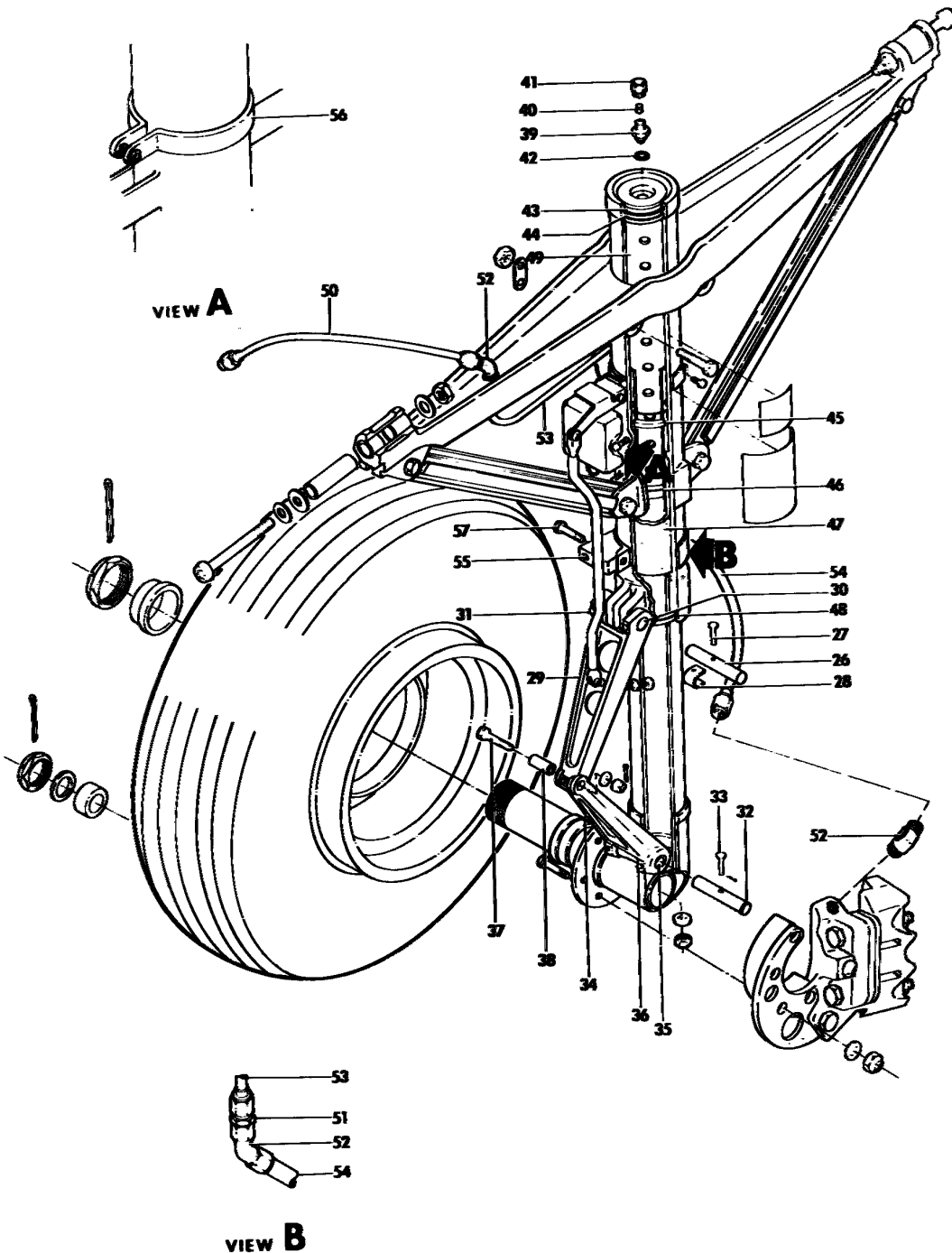
F33A-321001-01-AA

MAIN LANDING GEAR
SHEET 1 OF 4

32-10-01
PAGE 0
JUL 01/12

Hawker Beechcraft Corporation

F33/G33/F33A/F33C ILLUSTRATED PARTS CATALOG



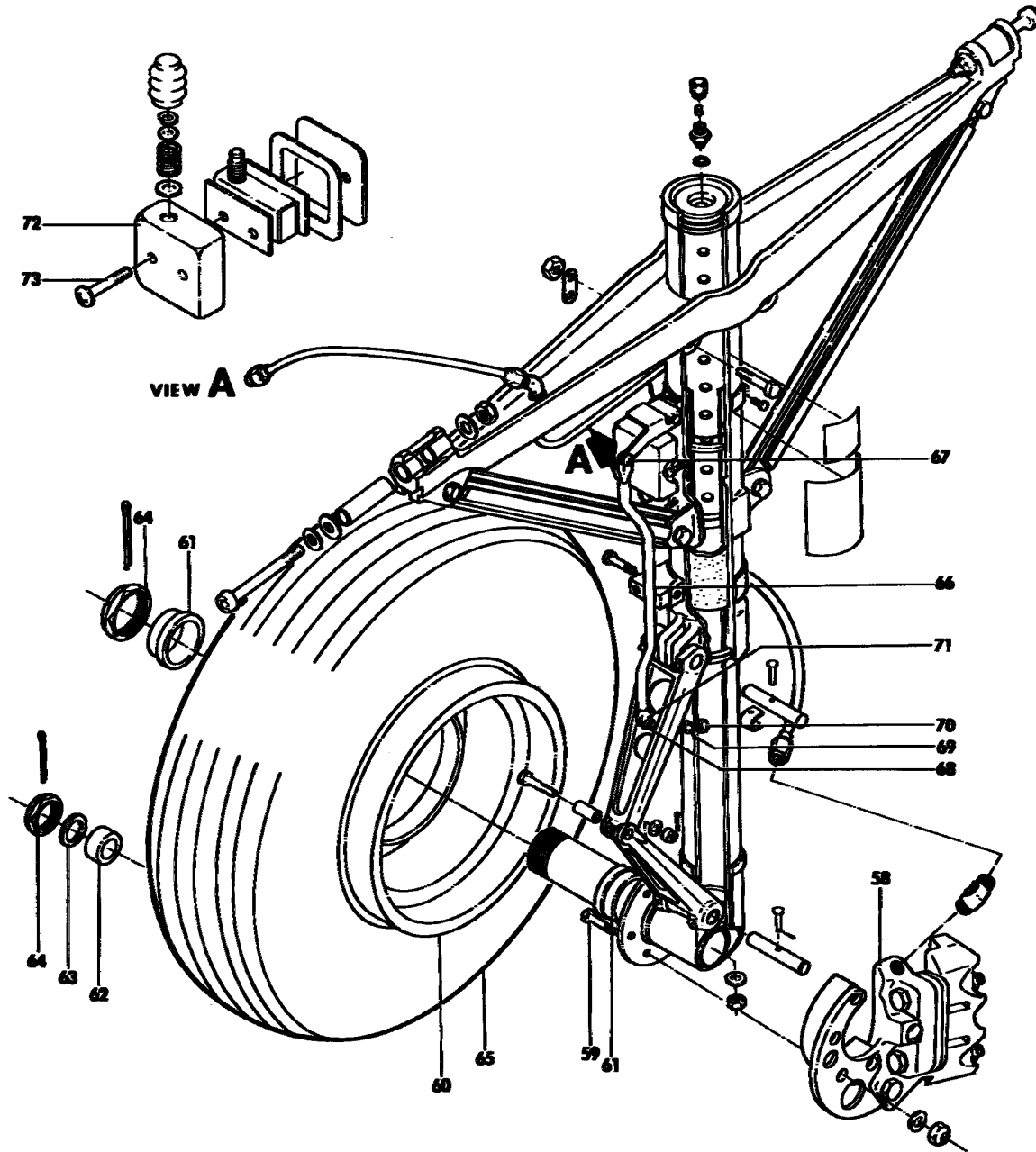
F33A-321001-02-AA

MAIN LANDING GEAR
SHEET 2 OF 4

32-10-01
PAGE 0A
JUL 01/12

Hawker Beechcraft Corporation

F33/G33/F33A/F33C ILLUSTRATED PARTS CATALOG



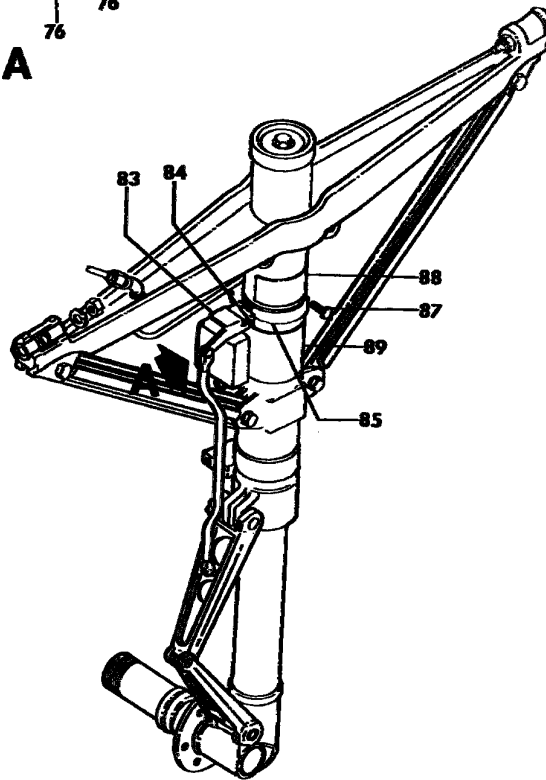
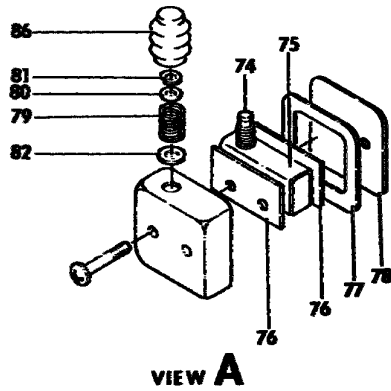
F33A-321001-03-AA

MAIN LANDING GEAR
SHEET 3 OF 4

32-10-01
PAGE 08
JUL 01/12

Hawker Beechcraft Corporation

F33/G33/F33A/F33C ILLUSTRATED PARTS CATALOG



F33A-321001-04-AA

MAIN LANDING GEAR
SHEET 4 OF 4

32-10-01
PAGE 0C
JUL 01/12

Hawker Beechcraft Corporation

F33/G33/F33A/F33C ILLUSTRATED PARTS CATALOG

PAGE INTENTIONALLY LEFT BLANK

Hawker Beechcraft Corporation

F33/G33/F33A/F33C ILLUSTRATED PARTS CATALOG

FIG ITEM	PART NUMBER	NOMENCLATURE 1 2 3 4 5 6 7	USABLE ON CODE	UNITS PER ASSY	
01	35-810026-653	MAIN LANDING GEAR GEAR ASSY-MAIN LANDING, LH LESS TIRE, WHEEL & BRAKE	FE FE	1	
	35-810026-654	GEAR ASSY-MAIN LANDING, RH LESS TIRE, WHEEL & BRAKE	FE	1	
	35-810026-601	GEAR ASSY-MAIN LANDING, LH COMPLETE	A	1	
	35-810026-611	GEAR ASSY-MAIN LANDING, LH COMPLETE	B	1	
	35-810026-613	GEAR ASSY-MAIN LANDING, LH COMPLETE	C	1	
	35-810026-602	GEAR ASSY-MAIN LANDING, RH COMPLETE	A	1	
	35-810026-612	GEAR ASSY-MAIN LANDING, RH COMPLETE	B	1	
	35-810026-614	GEAR ASSY-MAIN LANDING, RH COMPLETE	C	1	
	ATTACHING PARTS				
	1	NAS148A67	BOLT-AFT	FE	1
	2	NAS148A69/M/	BOLT-FWD	FE	1
	3	35-815250	BUSHING	FE	2
	4	NAS143-8C	WASHER	FE	2
	5	AN960-816	WASHER	FE	2
	6	100951S016XF	WASHER- USED BETWEEN GEAR & SPAR FITTING IF GAP IS 0.016 TO 0.031	FE	2
		100951S032XF	WASHER- USED BETWEEN GEAR & SPAR FITTING IF GAP IS 0.032 TO 0.047	FE	2
	7	130909N10	NUT	FE	2
		AN380-3-3	PIN-COTTER	FE	2
		-----*-----			
	8	35-815260-7	.SHOCK ASSY-LOWER LH SPARES FOR 35-815260-3	FE	1
	35-815260-8	.SHOCK ASSY-LOWER RH SPARES FOR 35-815260-4	FE	1	
9	35-815081	..WASHER	FE	1	
10	MS20365-524	..NUT	FE	1	
11	35-815246-5	.CYLINDER-LH	FE	1	
	35-815246-7	.CYLINDER-RH	FE	1	
12	35-815246-9	.BEARING-LOWER	FE	1	
13	504271	.SEAL SCRAPER	FE	1	
14	35-815246-13	.BEARING-UPPER	FE	1	
15	HL18PB6-6	.PIN-HILOCK	FE	2	
	HL70-6	.COLLAR	FE	2	
16	MS28775-138	.PACKING-PREFORMED	FE	1	
17	NAS334CPA30	.BOLT	FE	2	
18	35-815256	.CONNECTOR-BRACE TO CLAMP	FE	2	
19	130909N32	.NUT	FE	2	
20	10DU12	.BUSHING	FE	4	

- ITEM NOT ILLUSTRATED

32-10-01

PAGE 1
JUL 01/12

BONANZA

Hawker Beechcraft Corporation

F33/G33/F33A/F33C ILLUSTRATED PARTS CATALOG

FIG ITEM	PART NUMBER	NOMENCLATURE 1 2 3 4 5 6 7	USABLE ON CODE	UNITS
				PER ASSY
01				
21	35-815251-3	.BRACE	FE	1
22	35-815252-1	.COLUMN-FWD	FE	1
23	35-815252-3	.COLUMN-AFT ATTACHING PARTS	FE	1
24	130909B9	.BOLT	FE	2
25	35-815247-15	.BOLT	FE	2
	AN960D716	.WASHER	FE	4
	130909N36	.NUT	FE	4
		-----*-----		
	36-810015-1	.KNEE ASSY-UPPER SPARES REPL. FOR 45-815011-10	AC	1
	36-810015-5	.KNEE ASSY-UPPER ATTACHING PARTS	AB	1
26	45-815237	.PIN	FE	1
27	MS20392-1-21	.PIN	FE	1
	AN380-2-1	.PIN-COTTER	FE	1
28	35-815253	.STOP	FE	1
		-----*-----		
29	45-815011-8	..KNEE-UPPER	FE	1
30	45-815013	..BUSHING	FE	2
31	1729	..FITTING-ZERK	FE	3
	36-810016-1	.KNEE ASSY-LOWER TORQUE SUPERSEDES 35-815194 36-810016-1 IS A SPARES REPLACEMENT FOR AIRCRAFT EQUIPPED WITH CLEVELAND BRAKES	FE	1
	36-810016-3	.KNEE ASSY-LOWER TORQUE SUPERSEDES 35-815194 36-810016-3 IS A SPARES REPLACEMENT FOR AIRCRAFT EQUIPPED WITH GOODYEAR BRAKES ATTACHING PARTS	FE	1
32	45-815237	.PIN	FE	1
33	MS20392-1C27	.PIN	FE	1
	MS24665-130	.PIN-COTTER	FE	2
		-----*-----		
34	35-815194-5	..KNEE-LOWER	FE	1
35	45-815013	..BUSHING	FE	2
36	MS15002-1	..FITTING-ZERK	FE	2
37	AN5-13/M/	.BOLT	FE	1
38	105739S-YK0431	.BUSHING	FE	1
	AN960-516	.WASHER	FE	1
	130909N8	.NUT	FE	1
	MS24665-134	.PIN-COTTER	FE	1
39	118642-7	.BODY-AIR VALVE	FE	1
40	AN802-9	.CORE-AIR VALVE	FE	1
41	MS20813-1	.CAP	FE	1
42	MS28778-5	.PACKING	FE	1
43	RRN237C	.RING-RETAINING	FE	1

- ITEM NOT ILLUSTRATED

32-10-01

Hawker Beechcraft Corporation

F33/G33/F33A/F33C ILLUSTRATED PARTS CATALOG

FIG ITEM	PART NUMBER	NOMENCLATURE 1 2 3 4 5 6 7	USABLE ON CODE	UNITS PER ASSY
01				
44	AN6230B5	.GASKET	FE	1
45	AN6227-31	.PACKING-PREFORMED	FE	1
	MS28774-328	.RETAINER-BACKUP	FE	1
46	35-380020-1	.RING-PISTON	FE	1
47	35-815247-9	.FELT	FE	1
48	MS28774-328	.RETAINER	FE	2
49	35-815249-5	.BRAZE ASSY-ORIFICE ORDER 36-810017-1	N	1
	36-810017-1	.BRAZE ASSY-ORIFICE SPARES FOR 35-815249-5	M	1
50	MS28741-4-0125	.HOSE ASSY-UPPER	FE	1
	AN960D716	.WASHER	FE	3
51	AN924-4D	.NUT	FE	2
52	MS24396D4	.ELBOW	FE	2
53	95-810002-37	.TUBE ASSY-LH UPPER	FE	1
	95-810002-38	.TUBE ASSY-RH UPPER	FE	1
	MS21919WDG4	.CLAMP-TUBE ATTACHING PARTS	FE	1
	MS35207-263	.SCREW	FE	1
	AN960D10	.WASHER	FE	1
	130909N29	.NUT	FE	1
		-----*-----		
54	MS28741-4-0170	.HOSE ASSY-LOWER	K	1
	MS28741-4-0160	.HOSE ASSY-LOWER	L	1
55	35-815004	.CLAMP ASSY-LH LOWER	FE	1
	35-815004-1	.CLAMP ASSY-RH LOWER	FE	1
	AN815-4	.UNION-LOWER HOSE	FE	1
	MS28778-4	.PACKING-PREFORMED	FE	1
56	35-815264-1	.CLAMP ASSY-LH	FE	1
	35-815264-2	.CLAMP ASSY-RH	FE	1
57	130909B44	.BOLT	FE	1
	AN960-416	.WASHER	FE	1
	130909N32	.NUT	FE	1
	35-810026-39	.WHEEL & BRAKE ASSY-BALANCED ORDER 35-810026-27	D	1
	35-810026-27	.WHEEL & BRAKE ASSY-BALANCED	E	1
58	35-8002-25	..BRAKE ASSY- SEE 32-42-01	D	1
	36-8001-9	..BRAKE ASSY- SEE 32-42-03 WHEN REPLACING 36-8001-9 BRAKE & 36-8001-3 WHEEL AS A SET, REPLACE WITH 36-8001-29 BRAKE & 36-8001-25 WHEEL	F	1
	36-8001-29	..BRAKE ASSY- SEE 32-42-03 ORDER 36-8001-41	Q	1
	36-8001-41	..BRAKE ASSY-SPARES FOR 36-8001-29	R	1

- ITEM NOT ILLUSTRATED

32-10-01

PAGE 3
JUL 01/12

BONANZA

Hawker Beechcraft Corporation

F33/G33/F33A/F33C ILLUSTRATED PARTS CATALOG

FIG ITEM	PART NUMBER	NOMENCLATURE 1 2 3 4 5 6 7	USABLE ON CODE	UNITS PER ASSY
01		ATTACHING PARTS		
59	AN5-6A/M/ MS20002C5 AN960D10 MS20365-524	..BOLT ..WASHER ..WASHER ..NUT	FE FE FE FE	5 5 5 5
		-----*-----		
60	35-810026-9 35-810026-31	..WHEEL & TIRE ASSY-BALANCED ORDER 35-810026-31 ..WHEEL & TIRE ASSY-BALANCED	D E	1 1
		ATTACHING PARTS		
61	33-810000-13	..BUSHING	FE	1
62	33-810000-15	..BUSHING	FE	1
63	100951X100VY 100951X050VY	..WASHER-ALTERNATE FOR 100951X050VY ..WASHER-ALTERNATE FOR 100951X100VY	FE FE	AR AR
64	AN7502-24 MS2102524	..NUT-ORDER MS2102524 ..NUT-SPARES FOR AN7502-24	AF P	1 1
		-----*-----		
65	6 00 X 6 6P TT 7 00 X 6 6P TT 6 00 X 6 7 00 X 6 35-8002-3 36-8001-3	...TIRE-6 PLY, TUBE TYPE ...TIRE-6 PLY, TUBE TYPE ...TUBE-TIRE ...TUBE-TIRE ...WHEEL ASSY- SEE 32-40-01 ...WHEEL ASSY- SEE 32-40-03	D E D E D F	1 1 1 1 1 1
		WHEN REPLACING 36-8001-3 WHEEL & 36-8001-9 BRAKE AS A SET, REPLACE WITH 36-8001-25 WHEEL & 36-8001-29 BRAKE		
	36-8001-25	...WHEEL ASSY- SEE 32-40-03	J	1
66	35-361145 002-361013-5	.LINK ASSY-LANDING GEAR SAFETY SWITCH .LINK ASSY-LANDING GEAR SAFETY SWITCH	S T	1 1
		ATTACHING PARTS		
67	MS20392-2C13 AN960D10 MS24665-130	.PIN .WASHER .PIN-COTTER	FE FE FE	2 2 2
		-----*-----		
68	AN42B4	.BOLT-EYE	FE	1
69	AN960-10L	.WASHER	FE	2
70	130909N6	.NUT	FE	1
71	MS21252-3RS 95-361015	.CLEVIS .SWITCH ASSY-LH LANDING GEAR SAFETY	FE U	1 1
	002-361013-31	.SWITCH ASSY-LH LANDING GEAR SAFETY	V	1

- ITEM NOT ILLUSTRATED

32-10-01

PAGE 4
JUL 01/12

BONANZA

Hawker Beechcraft Corporation

F33/G33/F33A/F33C ILLUSTRATED PARTS CATALOG

FIG ITEM	PART NUMBER	NOMENCLATURE 1 2 3 4 5 6 7	USABLE ON CODE	UNITS PER ASSY
01	002-361013-45	. SWITCH ASSY-LH LANDING GEAR SAFETY WITHOUT AIR CONDITIONING	W	1
	002-361013-47	. SWITCH ASSY-LH LANDING GEAR SAFETY WITH AIR CONDITIONING	AE	1
	002-361013-55	. SWITCH ASSY-LH LANDING GEAR SAFETY WITH AIR CONDITIONING	AD	1
	002-361013-55	. SWITCH ASSY-LH LANDING GEAR SAFETY WITH OR WITHOUT AIR CONDITIONING	X	1
	35-361131	. SWITCH ASSY-RH LANDING GEAR SAFETY	U	1
	002-361013-32	. SWITCH ASSY-RH LANDING GEAR SAFETY	T	1
72	002-361013-15	.. COVER-LH LANDING GEAR SAFETY SWITCH	Y	1
	35-361134	.. COVER-RH LANDING GEAR SAFETY SWITCH	U	1
	002-361013-16	.. COVER-RH LANDING GEAR SAFETY SWITCH	T	1
73	MS35206-329	.. SCREW	FE	2
	AN960D6	.. WASHER	FE	2
	MS20365-632	.. NUT	FE	2
74	AN3186-2	.. ACTUATOR-LH	AA	1
	MC2711	.. ACTUATOR-LH	X	1
	MC2711	.. ACTUATOR-RH	U	1
	AN3186-2	.. ACTUATOR-RH	T	1
75	BZ3AT	.. SWITCH-LH	V	1
	MS25026-1	.. SWITCH-LH	W	1
	MS25008-1	.. SWITCH-LH	X	1
	BZ3YT	.. SWITCH-RH	U	1
	BZ3AT	.. SWITCH-RH	T	1
76	45-364238	.. INSULATOR	G	2
	002-361013-33	.. INSULATOR	H	2
77	002-361013-23	.. GASKET	FE	1
78	002-361013-25	.. PLATE	FE	1
79	002-361013-27	.. SPRING	FE	1
80	10095100032YF	.. WASHER	FE	1
81	MS16624-1031	.. RING-SNAP	FE	1
82	AN960-816L	.. WASHER	FE	1
83	35-361132-1	.. ARM-SAFETY SWITCH	U	1
	002-361013-19	.. ARM-SAFETY SWITCH	T	1
84	MS20392-2C29	.. PIN	G	1
	MS20392-2C29	.. PIN	H	1
	AN960-10	.. WASHER	FE	1
	MS24665-130	.. PIN-COTTER	FE	1
85	35-361133	.. BRACKET-ASSY	U	1
	002-361013-29	.. BRACKET-ASSY	T	1

- ITEM NOT ILLUSTRATED

32-10-01

Hawker Beechcraft Corporation

F33/G33/F33A/F33C ILLUSTRATED PARTS CATALOG

FIG ITEM	PART NUMBER	NOMENCLATURE 1 2 3 4 5 6 7	USABLE ON CODE	UNITS PER ASSY
01	106242-7-03600	. . TUBING-INSULATING	FE	1
86	35-361148-1	. . BOLT	FE	1
87	130909B23	. BOLT	FE	1
	AN960-10	. WASHER	FE	2
	MS20365-1032	. NUT	FE	1
88	112406	PLACARD	FE	2
89	96-810020	PLACARD-LH INSTRUCTION	FE	1
	96-810021	PLACARD-RH INSTRUCTION	FE	1
A		CD1235-CD1276, CE0290-CE0306, CJ0026-CJ0030		
B		CD1277-CD1304, CE0307-CE0537, CE0542, CE0544, CE0547, CJ0031-CJ0061, CJ0067, CJ0068, CJ0075		
C		CE0538-CE0541, CE0543, CE0545, CE0546, CE0548-CE9999, CJ0062-CJ0066, CJ0069-CJ0074, CJ0077-CJ9999		
D		CD1235-CD1271, CE0290-CE0300, CJ0026-CJ0030		
E		CD1272-CD1304, CE0301-CE9999, CJ0031-CJ9999		
F		CD1272-CD1304, CE0301-CE0634, CJ0031-CJ0124		
G		CE0290-CE0747, CE0749-CE0771, CJ0026-CJ0148		
H		CE0748, CE0772-CE9999, CJ0149-CJ9999		
J		CE0635-CE9999, CJ0125-CJ9999		
K		CD1235-CD1271		
L		CD1272-CD9999, CE0290-CE9999, CJ0026-CJ9999		
M		CE0981-CE9999, CJ0156-CJ9999		
N		CD1235-CD1304, CE0290-CE0980, CJ0026-CJ0155		
P		CE0931-CE9999, CJ0156-CJ9999		
Q		CE0635-CE1071, CJ0125-CJ0155		
R		CE1072-CE9999, CJ0156-CJ9999		
S		CD1235-CD1304, CE0290-CE0537, CE0542, CE0544, CE0547, CJ0026-CJ0061, CJ0067, CJ0068, CJ0075, CJ0076		
T		CE0538-CE0541, CE0543, CE0545, CE0546, CE0548-CE9999, CJ0062-CJ0066, CJ0069-CJ0074, CJ0077-CJ9999		
U		CE0290-CE0537, CE0542, CE0544, CE0547, CJ0026-CJ0061, CJ0067, CJ0068, CJ0075, CJ0076 (CONTINUED NEXT PAGE)		

- ITEM NOT ILLUSTRATED

32-10-01

PAGE 6
JUL 01/12

Hawker Beechcraft Corporation

F33/G33/F33A/F33C ILLUSTRATED PARTS CATALOG

FIG ITEM	PART NUMBER	NOMENCLATURE 1 2 3 4 5 6 7	USABLE ON CODE	UNITS PER ASSY
01		(CONTINUED)		
V		CE0538-CE0541, CE0543, CE0545, CE0546, CE0548-CE0771, CJ0062-CJ0066, CJ0069-CJ0074, CJ0077-CJ0148		
W		CE0748, CE0772-CE9999, CJ0149-CJ9999		
X		CE0969-CE9999		
Y		CE0538-CE0541, CE0543, CE0545, CE0546, CE0547, CE0549-CE9999, CJ0062-CJ9999		
AA		CE0538-CE0541, CE0543, CE0546, CE0548-CE0968, CJ0062-CJ0066, CJ0069-CJ0074, CJ0077-CJ9999		
AB		CE0770-CE9999, CJ0146-CJ9999		
AC		CD1235-CD1304, CE0290-CE0769, CJ0026-CJ0145		
AD		CE0941-CE0968		
AE		CE0748, CE0772-CE0940, CJ0149-CJ9999		
AF		CE0290-CE0930		
FE		CD1235-CD1304, CE0290-CE9999, CJ0026-CJ9999		

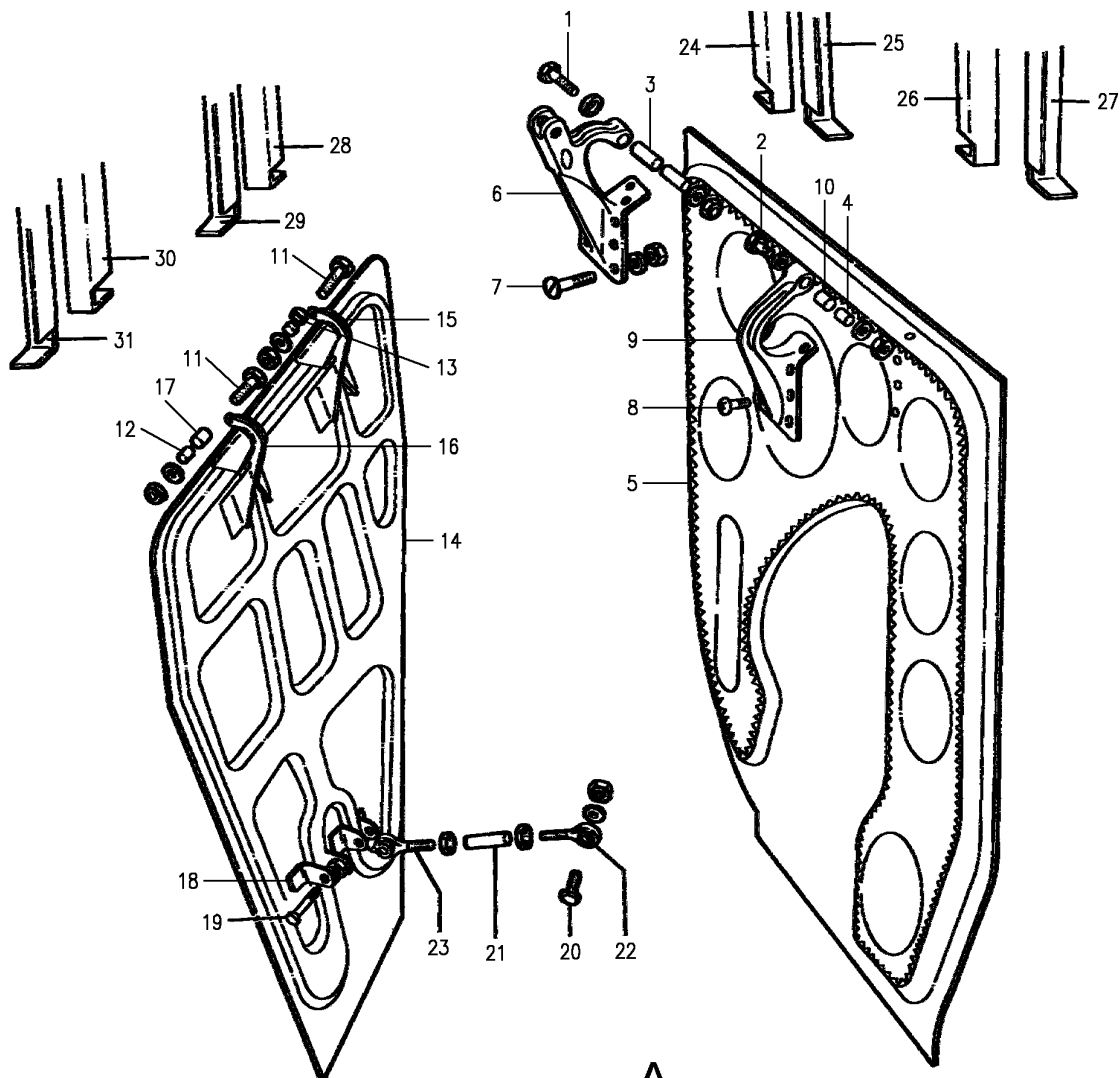
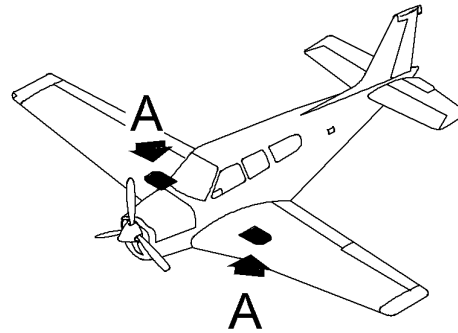
- ITEM NOT ILLUSTRATED

32-10-01

PAGE 7
JUL 01/12

Hawker Beechcraft Corporation

F33/G33/F33A/F33C ILLUSTRATED PARTS CATALOG



VIEW A

MAIN GEAR DOORS

F33A-321101-01-AA

Hawker Beechcraft Corporation

F33/G33/F33A/F33C ILLUSTRATED PARTS CATALOG

FIG ITEM	PART NUMBER	NOMENCLATURE 1 2 3 4 5 6 7	USABLE ON CODE	UNITS PER ASSY
01	35-815055	MAIN GEAR DOORS	FE	
	35-815055-1	DOOR INSTL-MAIN LANDING GEAR, LH	FE	RF
	35-815055-158	DOOR INSTL-MAIN LANDING GEAR, RH	FE	RF
	35-815055-159	.DOOR ASSY-INBD LH	FE	1
		.DOOR ASSY-INBD RH	FE	1
		ATTACHING PARTS		
1	AN3-15A/M/	.BOLT	FE	1
2	130909B20	.BOLT	FE	1
	AN960-10	.WASHER	FE	2
3	58-810022-5	.BUSHING	FE	1
	58-810022-7	.BUSHING-AFT	FE	1
4	58-810022-3	.BUSHING	FE	2
	MS20365-1032	.NUT	FE	2
		-----*-----		
5	35-815055-164	..DOOR-INBD LH	FE	1
	35-815055-165	..DOOR-INBD RH	FE	1
6	35-815266-1	..HINGE ASSY-FWD INBD LH	FE	1
	35-815266-2	..HINGE ASSY-FWD INBD RH	FE	1
		ATTACHING PARTS		
7	AN525-10-24	..SCREW	FE	3
	AN525-10-8	..SCREW	FE	2
	AN525-10-10	..SCREW	FE	2
	AN960-10	..WASHER	FE	5
	MS20365-1032	..NUT	FE	5
		-----*-----		
	35-815016-4	..HINGE ASSY-AFT INBD LH	FE	1
	35-815016-5	..HINGE ASSY-AFT INBD RH	FE	1
		ATTACHING PARTS		
8	AN525-10-10	..SCREW	FE	4
	AN960-10	..WASHER	FE	3
	AN960-10L	..WASHER	FE	1
	130909N29	..NUT	FE	4
		-----*-----		
9	35-815016-2	...HINGE-LH	FE	1
	35-815016-3	...HINGE-RH	FE	1
10	105740X-ZR0480	...BUSHING	FE	1
	35-815055-214	.DOOR ASSY-OUTBD LH	FE	1
	35-815055-215	.DOOR ASSY-OUTBD RH	FE	1
		ATTACHING PARTS		
11	130909B20	.BOLT	FE	2
	AN960-10	.WASHER	FE	2
12	58-810022-1	.BUSHING	FE	4
13	MS20365-1032	.NUT	FE	2
		-----*-----		
14	35-815055-212	..DOOR-OUTBD LH	FE	1
	35-815055-213	..DOOR-OUTBD RH	FE	1
15	35-815055-114	..HINGE ASSY-FWD OUTBD LH	FE	1
	35-815055-115	..HINGE ASSY-FWD OUTBD RH	FE	1
16	35-815055-116	..HINGE ASSY-AFT OUTBD LH & RH	FE	1
17	105740X-ZJ0490	...BUSHING	FE	1
18	35-815055-62	..BRACKET-HINGE	A	2
	35-815055-63	..BRACKET-HINGE	A	2

- ITEM NOT ILLUSTRATED

32-11-01

PAGE 1
JUL 01/12

BONANZA

Hawker Beechcraft Corporation

F33/G33/F33A/F33C ILLUSTRATED PARTS CATALOG

FIG ITEM	PART NUMBER	NOMENCLATURE 1 2 3 4 5 6 7	USABLE ON CODE	UNITS PER ASSY
01	35-815055-208	..BRACKET-HINGE	B	2
	35-815055-209	..BRACKET-HINGE	B	2
	35-815056	.LINK ASSY-LANDING GEAR DOOR OUTBD	A	2
	35-815056-16	.LINK ASSY-LANDING GEAR DOOR OUTBD	B	2
		ATTACHING PARTS		
19	130909B38	.BOLT	FE	1
20	130909B36	.BOLT	FE	1
	AN960-416	.WASHER	FE	AR
	MS20365-428	.NUT	FE	2
		-----*-----		
21	35-815056-2	..TUBE-LANDING GEAR DOOR	FE	1
	35-815056-18	..TUBE	FE	2
22	HM4U	..END-ROD	FE	1
23	35-815056-4	..END-ROD	FE	1
	AN316-4R	..NUT	FE	1
24	35-115070-8	ANGLE-LH INBD DOOR FWD HINGE, FWD	FE	1
	35-115070-9	ANGLE-RH INBD DOOR FWD HINGE, FWD	FE	1
25	35-115070-10	ANGLE-LH INBD DOOR FWD HINGE, AFT	FE	1
	35-115070-11	ANGLE-RH INBD DOOR FWD HINGE, AFT	FE	1
26	35-115070-16	ANGLE-LH INBD DOOR AFT HINGE, FWD	FE	1
	35-115130-22	ANGLE-RH INBD DOOR AFT HINGE, FWD	FE	1
27	35-115070-18	ANGLE-LH INBD DOOR AFT HINGE, AFT	FE	1
	35-115130-24	ANGLE-RH INBD DOOR AFT HINGE, AFT	FE	1
28	35-115051-4	ANGLE-LH OUTBD DOOR FWD HINGE, FWD	FE	1
	35-115051-5	ANGLE-RH OUTBD DOOR FWD HINGE, FWD	FE	1
29	35-115051-6	ANGLE-LH OUTBD DOOR FWD HINGE, AFT	FE	1
	35-115051-7	ANGLE-RH OUTBD DOOR FWD HINGE, AFT	FE	1
30	35-115051-10	ANGLE-LH OUTBD DOOR AFT HINGE, FWD	FE	1
	35-115051-11	ANGLE-RH OUTBD DOOR AFT HINGE, FWD	FE	1
31	35-115051-8	ANGLE-LH OUTBD DOOR AFT HINGE, AFT	FE	1
	35-115051-9	ANGLE-RH OUTBD DOOR AFT HINGE, AFT	FE	1

- ITEM NOT ILLUSTRATED

32-11-01

PAGE 2
JUL 01/12

Hawker Beechcraft Corporation

F33/G33/F33A/F33C ILLUSTRATED PARTS CATALOG

FIG ITEM	PART NUMBER	NOMENCLATURE 1 2 3 4 5 6 7	USABLE ON CODE	UNITS PER ASSY
01 A B FE		CE0290-CE0833, CJ0026-CJ0148 CE0834-CE9999, CJ0149-CJ9999 CD1235-CD1304, CE0290-CE9999, CJ0026-CJ9999		

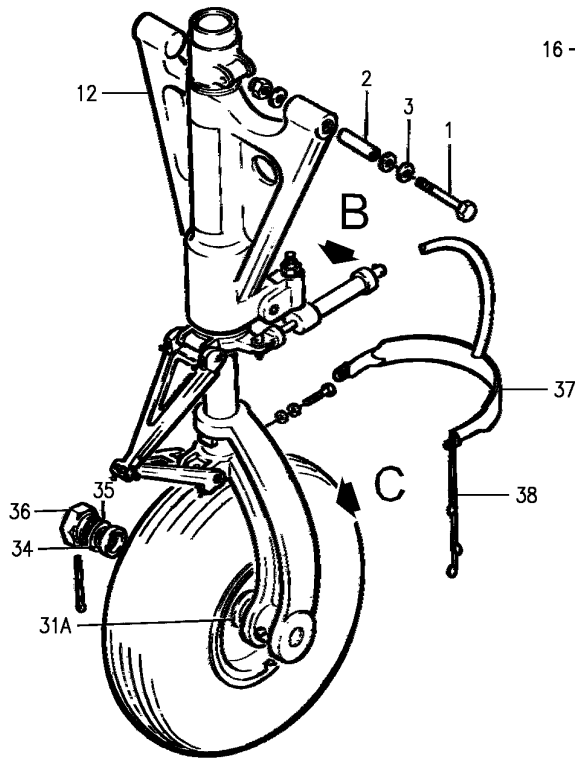
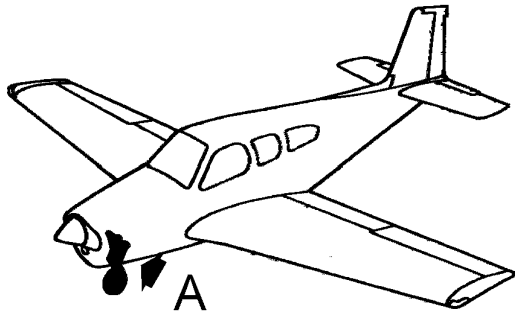
- ITEM NOT ILLUSTRATED

32-11-01
PAGE 3
JUL 01/12

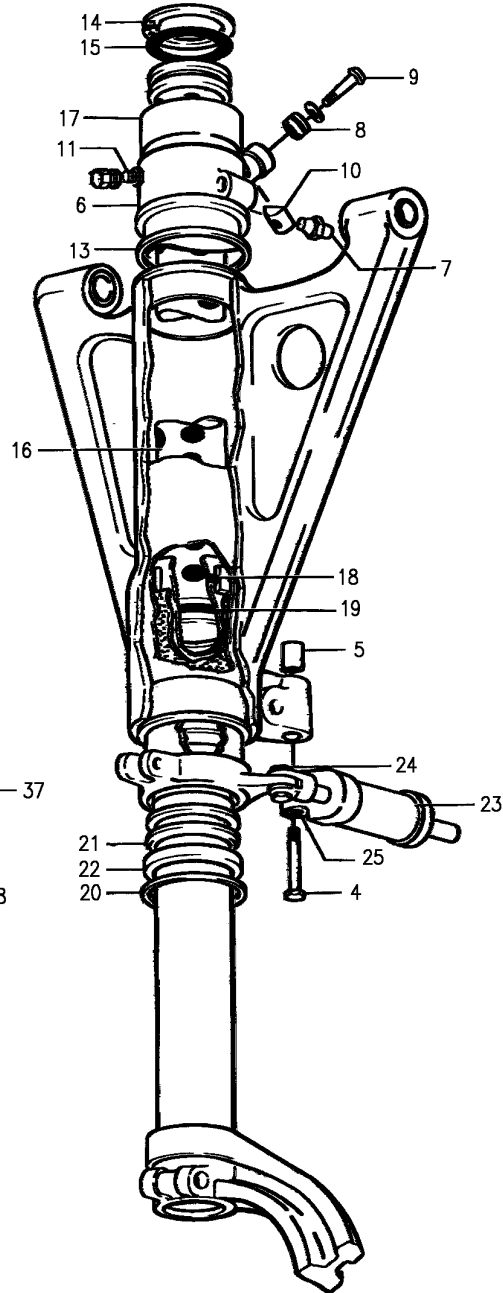
BONANZA

Hawker Beechcraft Corporation

F33/G33/F33A/F33C ILLUSTRATED PARTS CATALOG



VIEW A



VIEW B

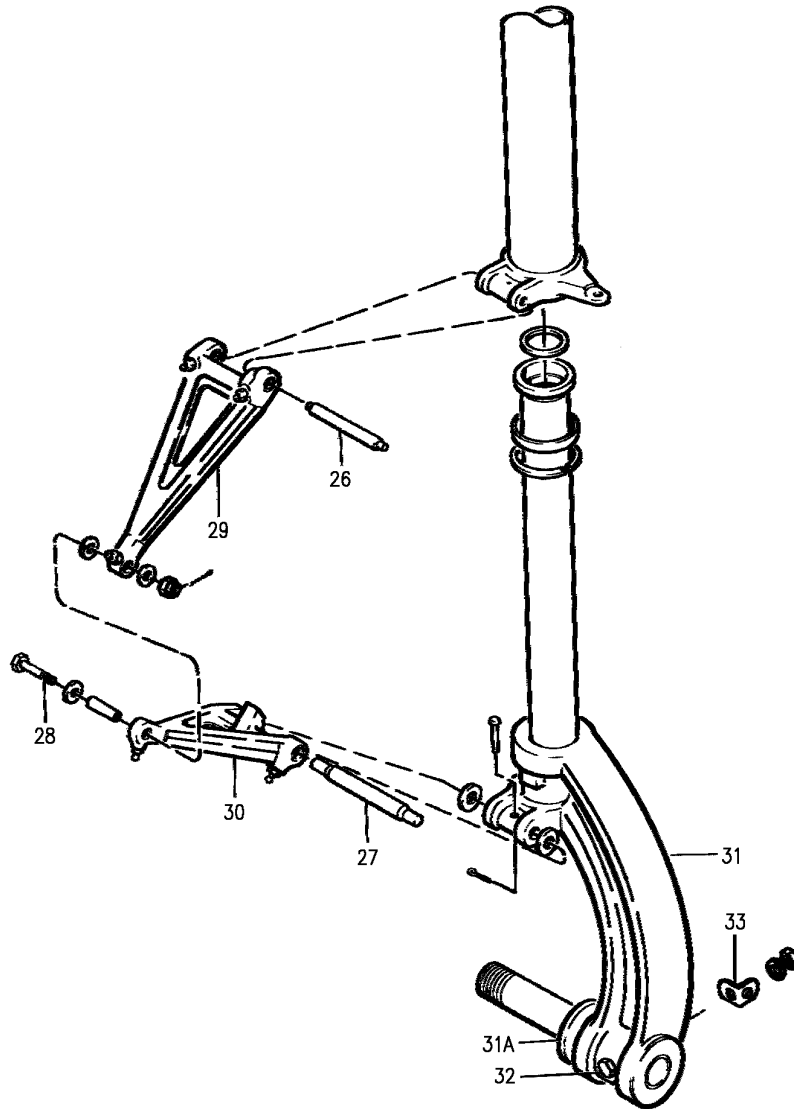
F33A-322001-01-AA

NOSE LANDING GEAR
SHEET 1 OF 2

32-20-01
PAGE 0
JUL 01/12

Hawker Beechcraft Corporation

F33/G33/F33A/F33C ILLUSTRATED PARTS CATALOG



VIEW C

F33A-322001-02-AA

NOSE LANDING GEAR
SHEET 2 OF 2

32-20-01
PAGE 0A
JUL 01/12

Hawker Beechcraft Corporation

F33/G33/F33A/F33C ILLUSTRATED PARTS CATALOG

PAGE INTENTIONALLY LEFT BLANK

Hawker Beechcraft Corporation

F33/G33/F33A/F33C ILLUSTRATED PARTS CATALOG

FIG ITEM	PART NUMBER	NOMENCLATURE 1 2 3 4 5 6 7	USABLE ON CODE	UNITS
				PER ASSY
01		NOSE LANDING GEAR	FE	
	35-825196-11	GEAR INSTL-NOSE LANDING	A	RF
	35-825196-31	GEAR INSTL-NOSE LANDING	B	RF
	35-825196-698	.GEAR ASSY-NOSE	FE	1
		LESS WHEEL, TIRE & TUBE		
	35-825196-616	.GEAR ASSY-NOSE	A	1
		WITH WHEEL, TIRE & TUBE ASSY		
		MOUNTED & BALANCED		
	35-825196-622	.GEAR ASSY-NOSE	C	1
		WITH WHEEL, TIRE & TUBE ASSY		
		MOUNTED & BALANCED		
	35-825196-624	.GEAR ASSY-NOSE	D	1
		WITH WHEEL, TIRE & TUBE ASSY		
		MOUNTED & BALANCED		
	35-825196-626	.GEAR ASSY-NOSE	E	1
		WITH WHEEL, TIRE & TUBE ASSY		
		MOUNTED & BALANCED		
	35-825196-628	.GEAR ASSY-NOSE	F	1
		WITH WHEEL, TIRE & TUBE ASSY		
		MOUNTED & BALANCED		
	35-825195	..SHOCK ABSORBER ASSY	J	1
	35-825195-55	..SHOCK ABSORBER ASSY	K	1
	35-825195-61	..SHOCK ABSORBER ASSY	L	1
		ATTACHING PARTS		
1	NAS146-46/M/	..BOLT	FE	2
2	45-825011	..BUSHING	FE	2
3	100951X032YP	..WASHER	FE	2
	AN960-616	..WASHER	FE	4
	MS20365-624	..NUT	FE	2
		-----*-----		
	95-824005-601	..BRACE ASSY-NOSE LANDING GEAR	FE	1
		ATTACHING PARTS		
4	AN6-31A/M/	..BOLT	FE	1
5	105739S-YP1483	..BUSHING	FE	1
	100951X031-4YM	..WASHER	FE	1
	100951X031-4YN	..WASHER	FE	1
	MS20365-624	..NUT	FE	1
		-----*-----		
6	45-825033	..COLLAR-NOSE GEAR STEERING	FE	1
		ATTACHING PARTS		
7	45-825034-1	..BOLT-NOSE GEAR COLLAR ATTACH	FE	2
		MAKE FROM PART NUMBER:		
		NAS6604-H8		
		-----*-----		
8	NAS505-4J	..BEARING-NEEDLE	FE	1
9	130909B83	..BOLT	FE	2
	AN960-416	..WASHER	FE	2
10	S1452-048	..NUT-BARREL	FE	1
11	118642-1	..BODY-NOSE STRUT FILLER VALVE	FE	1
12	35-825197	..PLACARD-SHOCK ABSORBER	FE	1
		INSTRUCTIONS		

- ITEM NOT ILLUSTRATED

32-20-01

BONANZA

PAGE 1
JUL 01/12

Hawker Beechcraft Corporation

F33/G33/F33A/F33C ILLUSTRATED PARTS CATALOG

FIG ITEM	PART NUMBER	NOMENCLATURE 1 2 3 4 5 6 7	USABLE ON CODE	UNITS PER ASSY
01	MS28778-5	..PACKING-NOSE STRUT FILLER VALVE	FE	1
	AN809-1	..CORE-NOSE STRUT FILLER VALVE	FE	1
	AN813-1B	..CAP-NOSE STRUT FILLER VALVE	FE	1
13	35-820134	..SHIM-NOSE WHEEL STEERING COLLAR	FE	1
14	NAS50-187	..RING-INTERNAL RETAINER	FE	1
15	AN6230B1	..PACKING	FE	1
16	35-825195-51	..TUBE ASSY-SHOCK ABSORBER ORIFICE	FE	1
	35-820130-2	..PAD-SHOCK ABSORBER	FE	1
17	35-825195-31	..BARREL ASSY-SHOCK ABSORBER	FE	1
18	AN6230B2	..PACKING	FE	1
19	35-380020-3	..RING-SHOCK ABSORBER PISTON	FE	1
20	111200-6	..RING-SNAP	FE	1
21	45-825032	..ADAPTER-NOSE GEAR PISTON SCRAPER	FE	1
22	AN6231A19	..SCRAPER-NOSE GEAR PISTON	FE	1
23	35-825145	..DAMPER ASSY-NOSE GEAR SHIMMY SEE 32-50-01 ATTACHING PARTS	FE	1
24	AN3-6A/M/	..BOLT	FE	1
25	105739S-ZK0190	..BUSHING	FE	1
	AN960-10	..WASHER	FE	1
	AN960-10L	..WASHER	FE	1
	MS20365-1032	..NUT	FE	1
		-----*-----		
	35-820107	..KNEE ASSY-NOSE SHOCK ABSORBER UPPER TORQUE	FE	1
	35-825193	..KNEE ASSY-NOSE SHOCK ABSORBER LOWER TORQUE	FE	1
		ATTACHING PARTS		
	AN392-23	..PIN-UPPER TORQUE	FE	1
	AN392-21	..PIN-LOWER TORQUE	FE	1
26	35-820108	..PIN-UPPER TORQUE KNEE	J	1
	35-825200	..PIN-UPPER TORQUE KNEE	M	1
27	60-820029-1	..PIN-LOWER TORQUE KNEE	FE	1
	MS24665-130	..PIN-COTTER	FE	1
	AN960-616	..WASHER	FE	2
28	AN4-12/M/	..BOLT-KNEE ASSY JUNCTION	FE	1
	100951S063ZZ	..WASHER	FE	1
	100951S063YH	..WASHER	FE	1
	35-820028	..BUSHING-NOSE WHEEL TORQUE KNEE GRIP	FE	1
	130909N7	..NUT	FE	1
	MS24665-132	..PIN-COTTER	FE	1
		-----*-----		
29	35-820107-1	...KNEE-UPPER TORQUE	FE	1
30	35-825193-1	...KNEE-LOWER TORQUE	FE	1
	35-820123	...BUSHING	FE	2
	MS15002-1	...FITTING-LUBRICATION	FE	2

- ITEM NOT ILLUSTRATED

32-20-01

PAGE 2
JUL 01/12

BONANZA

Hawker Beechcraft Corporation

F33/G33/F33A/F33C ILLUSTRATED PARTS CATALOG

FIG ITEM	PART NUMBER	NOMENCLATURE 1 2 3 4 5 6 7	USABLE ON CODE	UNITS PER ASSY
01	1729	...FITTING-LUBRICATION	FE	1
31	35-825195-3	..PISTON & FORK ASSY	G	1
	35-825195-57	..PISTON & FORK ASSY	N	1
	35-825195-73	..PISTON & FORK ASSY	X	1
	35-810169	...FORK	FE	1
	35-825195-7	...TUBE	FE	1
	35-825195-9	...PLUG	FE	1
	AN6227-23	...PACKING	FE	1
	35-825128-5	...AXLE ASSY	G	1
	35-825128-7	...AXLE ASSY	H	1
	35-825195-35	...BUSHING	P	1
31A	35-825195-75	...BUSHING	X	1
32	AN4-21A/M/ MS20365-428	..BOLT ..NUT	FE FE	1 1
33	35-820133	..CLIP-NOSE WHEEL SCRAPER	FE	1
	35-825196-17	..WHEEL ASSY-NOSE SEE 32-41-01 ORDER KIT 33-8003-1 FOR SPARES	A	1
	35-825196-33	..WHEEL ASSY-NOSE SEE 32-41-03 ORDER KIT 33-8003-1 FOR SPARES	R	1
	33-8003-1	..KIT-NOSE WHEEL ASSY SPARES FOR 35-825196-17 & 35-825196-33	P	1
	35-825196-37	..WHEEL ASSY-NOSE SEE 32-41-03	S	1
	36-820019-7	..WHEEL ASSY-NOSE SEE 32-41-03 ATTACHING PARTS	T	1
34	35-825195-35	..BUSHING-NOSE WHEEL	P	1
	35-825195-75	..BUSHING-NOSE WHEEL	X	1
	95-820000-1	..WASHER-NOSE WHEEL	FE	1
35	95-820000-3	..WASHER-NOSE WHEEL	U	1
36	AN7502-20	..NUT-WHEEL BEARING RETAINING	FE	1
	AN380-4-7	..PIN-COTTER	U	1
	MS24665-359	..PIN-COTTER	T	1
		-----*-----		
37	35-825175-12	..GUARD ASSY-NOSE WHEEL SCRAPER ATTACHING PARTS	Q	1
	NAS428H4-7	..BOLT	FE	1
	AN960-416	..WASHER	FE	2
	AN4H3A/M/	..BOLT	FE	1
		-----*-----		
38	35-825196-25	..CABLE-STATIC GROUND ATTACHING PARTS	W	1
	AN4-4A/M/	..BOLT	FE	1
	96-820011	..BOLT	FE	1
	AN960-416	..WASHER	FE	1

- ITEM NOT ILLUSTRATED

32-20-01

PAGE 3
JUL 01/12

BONANZA

Hawker Beechcraft Corporation

F33/G33/F33A/F33C ILLUSTRATED PARTS CATALOG

FIG ITEM	PART NUMBER	NOMENCLATURE						USABLE ON CODE	UNITS PER ASSY
		1	2	3	4	5	6		
01	MS20364-428	.	.	N	U	T		FE	1
		-----*-----							
A		CD1235-CD1257,CE0290-CE0300, CJ0026-CJ0030							
B		CD1258-CD1304,CE0301-CE0979, CJ0031-CJ0155							
C		CE0301-CE0399							
D		CD1258-CD1304							
E		CJ0031-CJ0051							
F		CE0400-CE0979,CJ0052-CJ0155							
G		CD1235-CD1304,CE0290-CE0348, CJ0026-CJ0030							
H		CE0349-CE0979,CJ0031-CJ0155							
J		CD1235-CD1304,CE0290-CE0300, CJ0026-CJ0051							
K		CE0301-CE0722,CJ0052-CJ0128							
L		CE0723-CE0979,CJ0129-CJ0155							
M		CE0301-CE0980,CJ0052-CJ0155							
N		CE0349-CE0909,CJ0031-CJ0155							
P		CD1235-CD1304,CE0290-CE0909, CJ0026-CJ0155							
Q		CD1235-CD1254,CE0290-CE0348, CJ0026-CJ0030							
R		CD1258-CD1304,CE0301-CE0909, CJ0031-CJ0155							
S		CE0902-CE0944							
T		CE0945-CE0979							
U		CD1235-CD1304,CE0290-CE0944, CJ0026-CJ0155							
FE		CD1235-CD1304,CE0290-CE0979, CJ0026-CJ0155							
W		CD1235-CD1257,CE0290-CE0310, CJ0026-CJ0030							
X		CE0910-CE0979							

- ITEM NOT ILLUSTRATED

32-20-01

PAGE 4
JUL 01/12

BONANZA

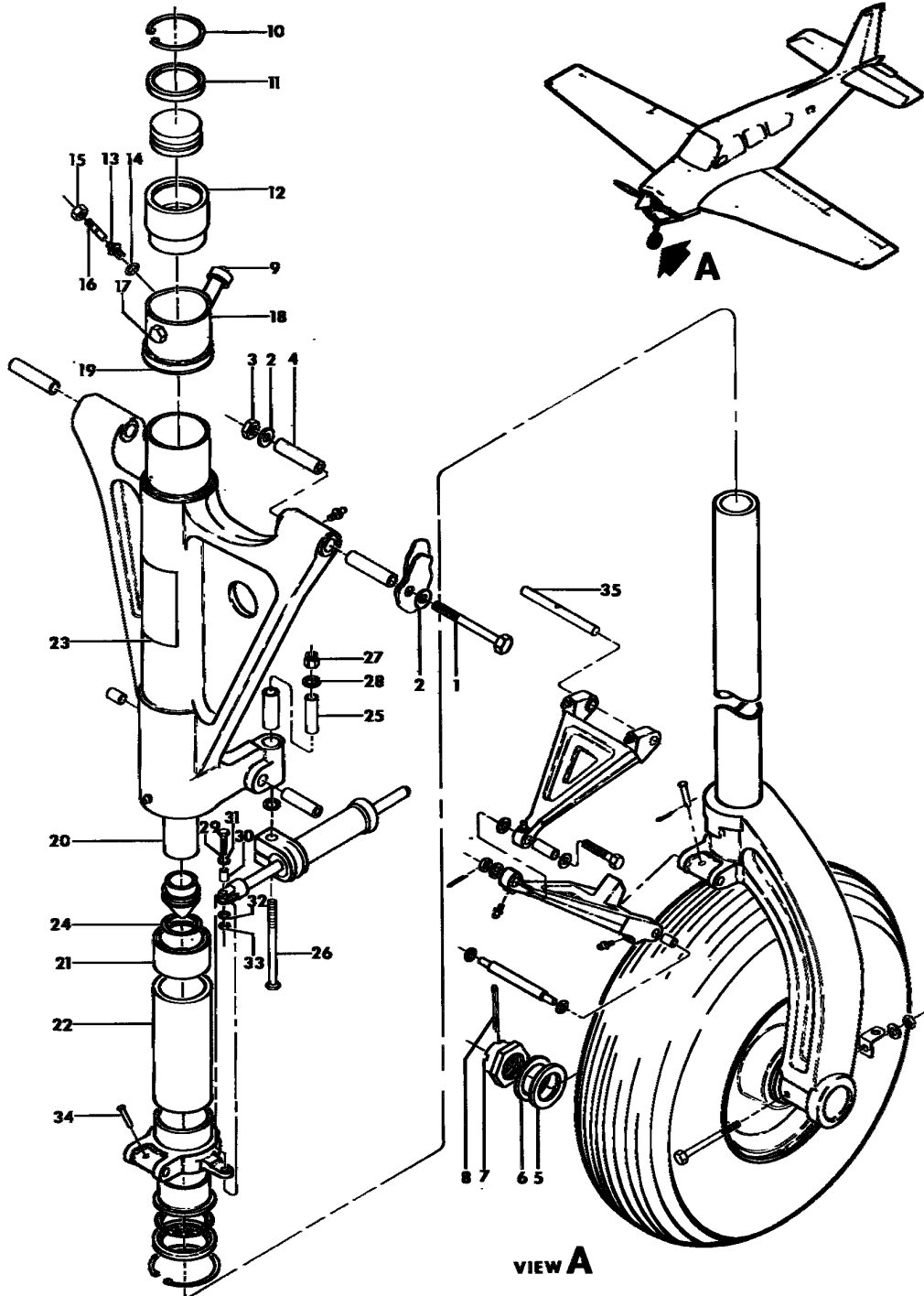
Hawker Beechcraft Corporation

F33/G33/F33A/F33C ILLUSTRATED PARTS CATALOG

PAGE INTENTIONALLY LEFT BLANK

Hawker Beechcraft Corporation

F33/G33/F33A/F33C ILLUSTRATED PARTS CATALOG



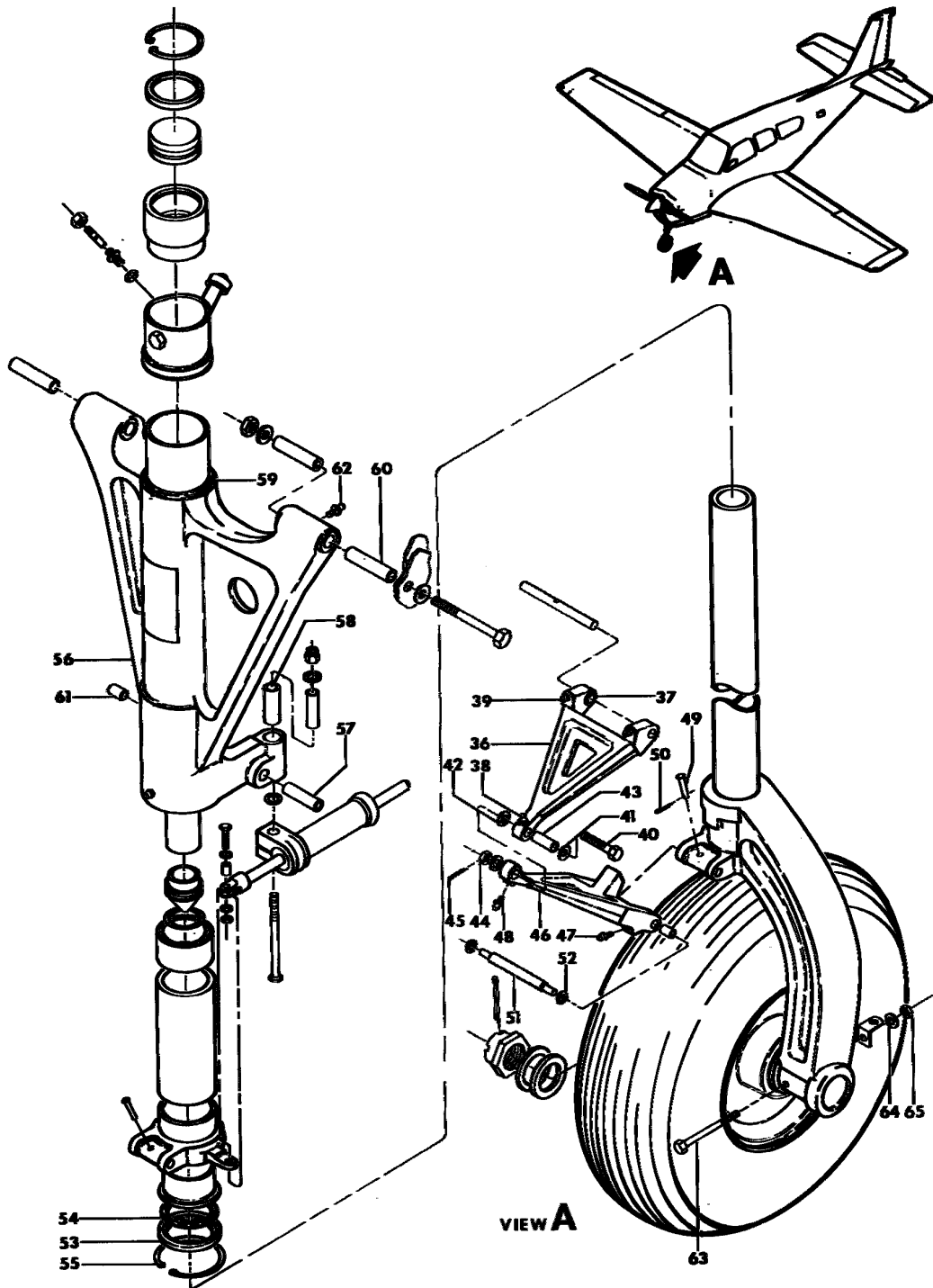
F33A-322003-01-AA

NOSE LANDING GEAR
SHEET 1 OF 2

32-20-03
PAGE 0
JUL 01/12

Hawker Beechcraft Corporation

F33/G33/F33A/F33C ILLUSTRATED PARTS CATALOG



F33A-322003-02-AA

NOSE LANDING GEAR
SHEET 2 OF 2

32-20-03
PAGE 0A
JUL 01/12

Hawker Beechcraft Corporation

F33/G33/F33A/F33C ILLUSTRATED PARTS CATALOG

PAGE INTENTIONALLY LEFT BLANK

Hawker Beechcraft Corporation

F33/G33/F33A/F33C ILLUSTRATED PARTS CATALOG

FIG ITEM	PART NUMBER	NOMENCLATURE 1 2 3 4 5 6 7	USABLE ON CODE	UNITS
				PER ASSY
03		NOSE LANDING GEAR	FE	
	36-820019-1	GEAR INSTL-NOSE LANDING	FE	1
	36-820019-601	.GEAR ASSY-NOSE LANDING ATTACHING PARTS	FE	1
1	NAS146-46	.BOLT	FE	1
2	MS20002C6	.WASHER	FE	1
3	130909N25	.NUT	FE	1
	100951S071YP	.WASHER	FE	1
	100951S032YP	.WASHER	FE	1
4	45-825011	.BUSHING	FE	2
		-----*-----		
	36-820019-7	.WHEEL ASSY- BALANCED ATTACHING PARTS	FE	1
5	96-820019-11	.SPACER	FE	1
6	95-820000-1	.WASHER	FE	1
7	MS21025-20	.NUT	FE	1
8	MS24665-359	.PIN	FE	1
		-----*-----		
	36-820020-1	.GEAR ASSY-NOSE	FE	1
9	NAS505NJ	..BEARING-NOSE GEAR	FE	1
	AN24-15A	..BOLT	FE	1
	AN960-416L	..WASHER	FE	AR
	S1452-048	..NUT-BARREL	FE	1
10	NAS50-187	..RING	FE	1
11	AN6230-1	..GASKET	FE	1
12	35-825195-31	..BARREL ASSY	FE	1
13	118642-1	..BODY-AIR VALVE	FE	1
14	MS28778-5	..PACKING	FE	1
15	MS20813-1	..CAP	FE	1
16	AN809-1	..CORE	FE	1
17	45-825034-1	..BOLT-NOSE GEAR COLLAR ATTACH MAKE FROM PART NUMBER: NAS6604-H8	FE	1
18	45-825033	..COLLAR	FE	1
19	35-820134	..SHIM	FE	1
20	36-820021-1	..ORIFICE TUBE ASSY	FE	1
	36-820021-5	...ORIFICE HEAD	FE	1
	36-820021-11	...CAP	FE	1
	36-820021-9	...TUBE	FE	1
21	AN6230-2	..GASKET	FE	1
22	35-820130-2	..PAD	FE	1
23	36-820022	..INSTRUCTION DECAL	FE	1
24	35-380020-3	..RING	FE	1
25	105739S-YP1483	..BUSHING	FE	1
26	AN6-31A	..BOLT	FE	1
27	MS20365-624	..NUT	FE	1
28	100951X031YM	..WASHER	FE	1
	35-825145-2	..DAMPER ASSY ATTACHING PARTS	FE	1
29	130909B17	..BOLT	FE	1
30	105739S-ZK0190	..BUSHING	FE	1

- ITEM NOT ILLUSTRATED

32-20-03

PAGE 1

JUL 01/12

BONANZA

Hawker Beechcraft Corporation

F33/G33/F33A/F33C ILLUSTRATED PARTS CATALOG

FIG ITEM	PART NUMBER	NOMENCLATURE 1 2 3 4 5 6 7	USABLE ON CODE	UNITS PER ASSY
03				
31	AN960-10	..WASHER	FE	1
32	AN960-10L	..WASHER	FE	1
33	MS20365-1032	..NUT	FE	1
		-----*-----		
34	MS20392-1C23	..PIN	FE	1
	MS24665-132	..PIN-COTTER	FE	1
35	35-825200	..PIN	FE	1
	35-820107	..KNEE ASSY	FE	1
36	35-820107-3	...KNEE	FE	1
37	35-820123	...BUSHING	FE	1
38	1729	...FITTING	FE	1
39	MS15002-1	...FITTING	FE	1
40	130909B170	..BOLT	FE	1
41	100951S063ZZ	..WASHER	FE	1
42	100951S063YH	..WASHER	FE	1
43	35-820028	..BUSHING	FE	1
44	130909N7	..NUT	FE	1
45	MS24665-132	..PIN-COTTER	FE	1
	35-825193	..KNEE ASSY	FE	1
46	35-825193-1	...KNEE	FE	1
47	MS15002-1	...FITTING	FE	1
48	1729	...FITTING	FE	1
49	MS20392-1C25	..PIN	FE	1
50	MS24665-132	..PIN-COTTER	FE	1
51	60-820029-1	..PIN	FE	1
52	AN960-616	..WASHER	FE	2
53	45-825032	..ADAPTER	FE	1
54	MS28776R2-19	..SCRAPPER	FE	1
55	111200-6	..RING-SNAP	FE	1
	45-820096-603	..BRACE ASSY	FE	1
56	45-820096-17	...BRACE	FE	1
57	105740XYD1365	...BUSHING	FE	1
58	105740XYD1458	...BUSHING	FE	1
59	35-820115	...BEARING	FE	2
60	35-820135	...BEARING	FE	2
61	105740X-YD0490	...BUSHING	FE	1
62	MS15002-1	...FITTING	FE	4
	35-825195-79	..STRUT PISTON ASSY	FE	1
63	AN4-24A	...BOLT	FE	1
64	AN360-416	...WASHER	FE	1
65	AN365-428	...NUT	FE	1
FE		CE0980-CE9999,CJ0156-CJ9999		

- ITEM NOT ILLUSTRATED

32-20-03

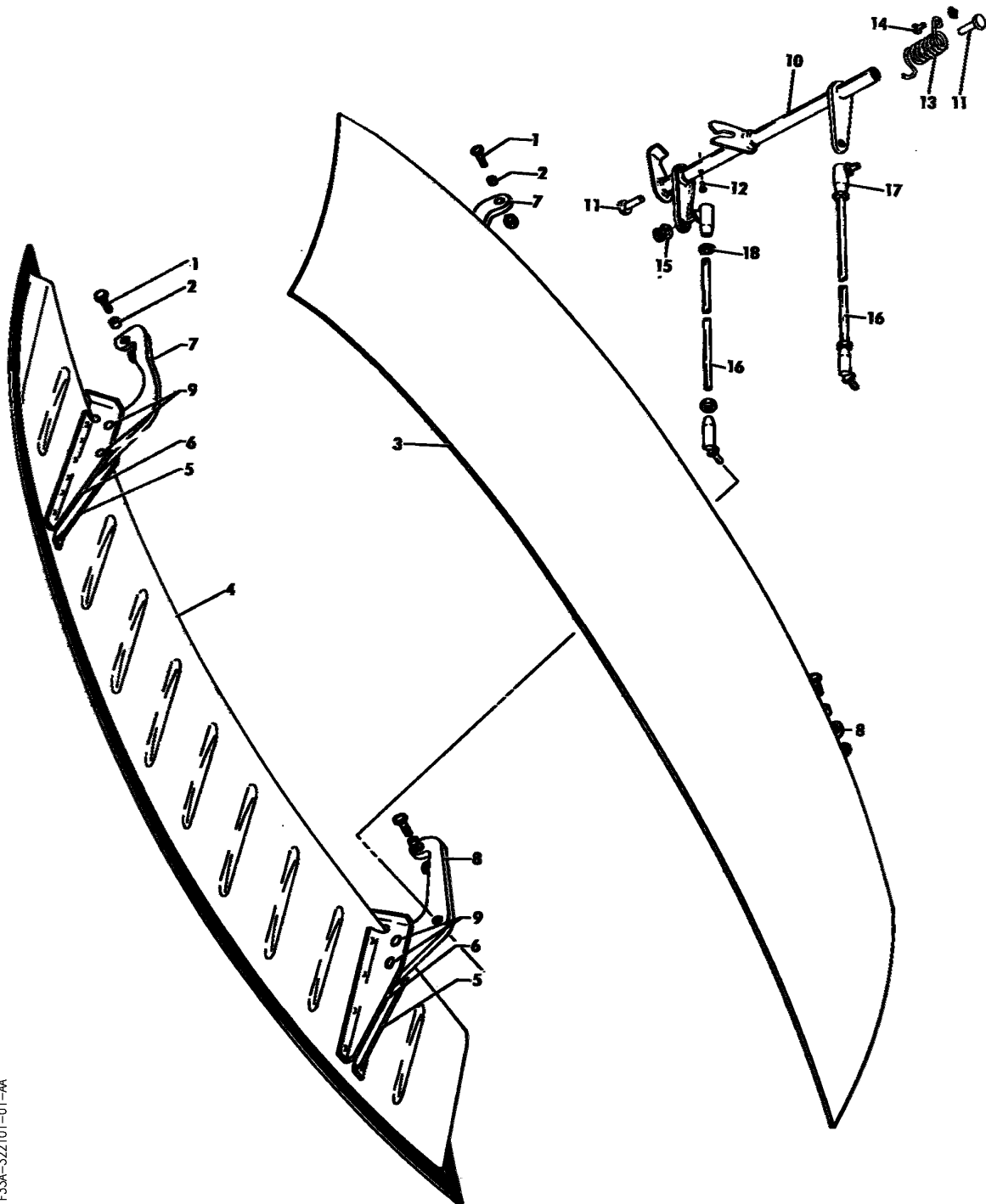
Hawker Beechcraft Corporation

F33/G33/F33A/F33C ILLUSTRATED PARTS CATALOG

PAGE INTENTIONALLY LEFT BLANK

Hawker Beechcraft Corporation

F33/G33/F33A/F33C ILLUSTRATED PARTS CATALOG



F33A-322101-01-AA

NOSE GEAR DOORS

Hawker Beechcraft Corporation

F33/G33/F33A/F33C ILLUSTRATED PARTS CATALOG

FIG ITEM	PART NUMBER	NOMENCLATURE 1 2 3 4 5 6 7	USABLE ON CODE	UNITS PER ASSY
01		NOSE GEAR DOORS	FE	
	35-410077-28	DOOR INSTL-NOSE LANDING GEAR, LH	FE	RF
	35-410077-29	DOOR INSTL-NOSE LANDING GEAR, RH	FE	RF
	35-410077-30	.DOOR ASSY-NOSE, LH	C	1
	35-410077-44	.DOOR ASSY-NOSE, LH	D	1
	35-410077-31	.DOOR ASSY-NOSE, RH	C	1
	35-410077-45	.DOOR ASSY-NOSE, RH	D	1
		ATTACHING PARTS		
1	130909B17	.BOLT	FE	2
2	105739S-ZG0250	.BUSHING	FE	2
	AN960-10	.WASHER	FE	2
	MS20365-1032	.NUT	FE	2
		-----*-----		
3	35-410077-36	..DOOR ASSY-LH	FE	1
4	35-410077-37	..DOOR ASSY-RH	C	1
	35-410077-40	..DOOR ASSY-RH	D	1
5	35-410077-8	...SUPPORT-HINGE LH	FE	2
6	35-410077-9	...SUPPORT-HINGE RH	FE	2
7	002-410001-109	..HINGE-NOSE WHEEL DOOR, FWD	C	1
	002-410001-143	..HINGE-NOSE WHEEL DOOR, FWD	D	1
8	002-410001-107	..HINGE-NOSE WHEEL DOOR, AFT	FE	1
		ATTACHING PARTS		
9	AN525-8	..SCREW	FE	2
	AN960-8	..WASHER	FE	2
	MS20365-832	..NUT	FE	2
	MS25083-2BB5	..JUMPER-BONDING	D	1
	AN525-832R11	..SCREW	D	1
	MS35338-42	..WASHER-TO BONDING JUMPER	D	1
	AN960-8	..WASHER-TO BONDING JUMPER	D	1
	AN960D8	..WASHER-TO BONDING JUMPER	D	1
	MS21042-08	..NUT-TO BONDING JUMPER	D	1
	AN525-832R11	..SCREW-TO BONDING JUMPER	D	1
	AN525-832R14	..SCREW	D	1
	MS35338-42	..WASHER	D	1
	AN960D8	..WASHER	D	1
	MS21042-08	..NUT	D	2
	AN742-2	..CLAMP	D	1
	MS35206-230	..SCREW	D	1
	AN960-6	..WASHER-	D	1
		INSTALL UNDER NUT		
	MS21042-06	..NUT	D	1
		-----*-----		
10	35-825117-8	SHAFT ASSY-NOSE GEAR DOOR ACTUATOR	A	1
	002-410038-3	SHAFT ASSY-NOSE GEAR DOOR ACTUATOR	FE	1
11	45-825078-1	END-NOSE GEAR DOOR ACTUATOR SHAFT	A	2
		ATTACHING PARTS		
12	AN515-8R	SCREW	FE	1
	MS20365-832	NUT	FE	1
		-----*-----		

- ITEM NOT ILLUSTRATED

32-21-01

PAGE 1
JUL 01/12

BONANZA

Hawker Beechcraft Corporation

F33/G33/F33A/F33C ILLUSTRATED PARTS CATALOG

FIG ITEM	PART NUMBER	NOMENCLATURE 1 2 3 4 5 6 7	USABLE ON CODE	UNITS PER ASSY
01				
13	35-825074-1	SPRING-DOOR ACTUATOR OPERATING ATTACHING PARTS	FE	1
14	AN525-832-8 MS20365-832	SCREW NUT	FE FE	1 1
		-----*-----		
	35-825191-19	ROD ASSY-DOOR ACTUATOR FOR SPARES ORDER 35-825191-1, -11, -15 ATTACHING PARTS	E	2
	AN960-10	WASHER	FE	2
15	MS20364-1032	NUT	FE	1
		-----*-----		
16	35-825191-17	.ROD-DOOR ACTUATOR FOR SPARES ORDER 35-825191-5, -9, -13	E	1
17	C100102	.BALL JOINT-SPARES FOR R5020 OR B40-1	E	2
18	AN315-3R	.NUT	FE	2
A		CD1235-CD1254		
C		CD1235-CD1304, CE0290-CE1028, CJ0026-CJ0155		
D		CE1029-CE9999, CJ0156-CJ9999		
E		CE1316-CE9999, CJ0180-CJ9999		
FE		CD1235-CD1304, CE0290-CE9999, CJ0026-CJ9999		

- ITEM NOT ILLUSTRATED

32-21-01
PAGE 2
JUL 01/12

BONANZA

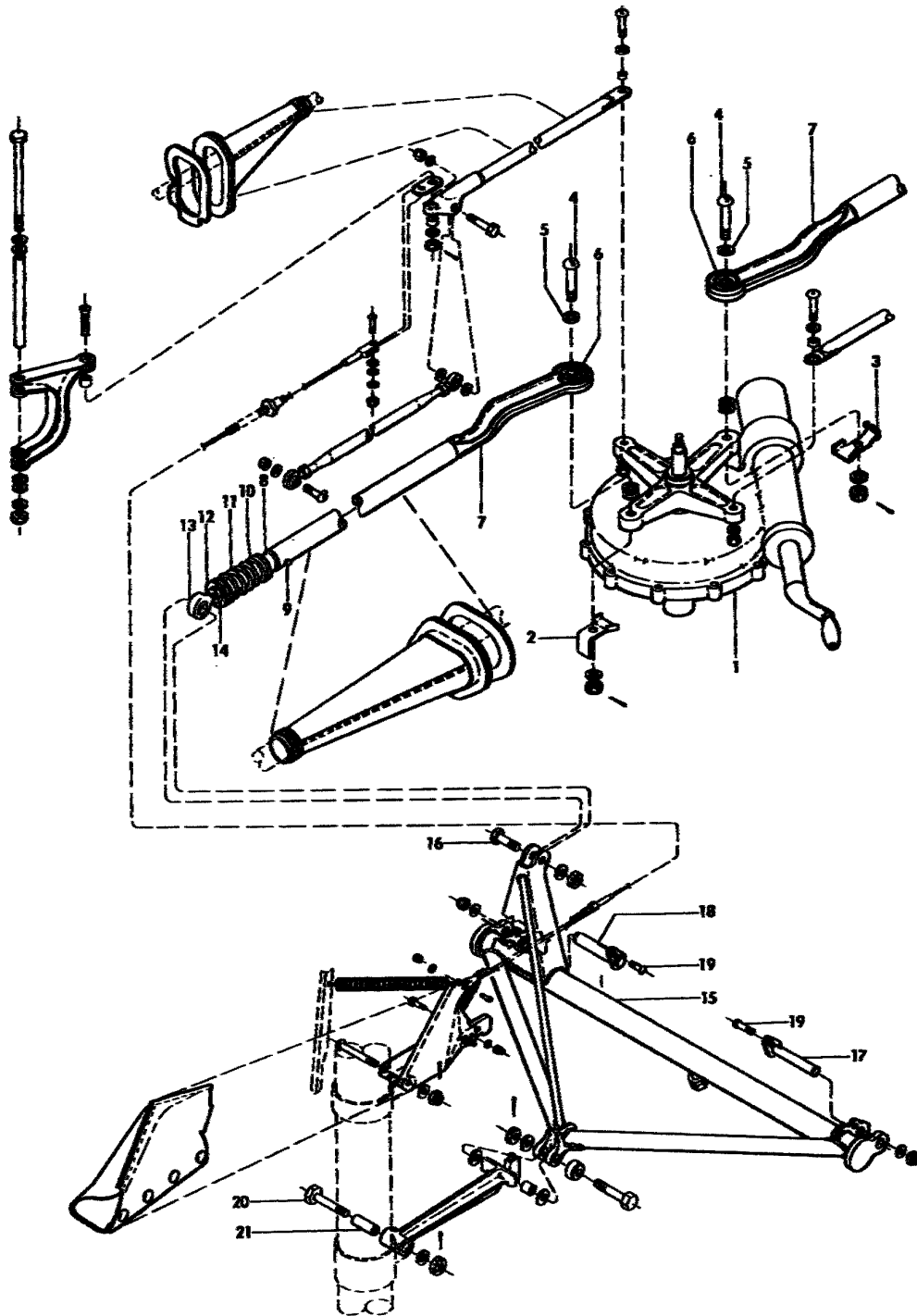
Hawker Beechcraft Corporation

F33/G33/F33A/F33C ILLUSTRATED PARTS CATALOG

PAGE INTENTIONALLY LEFT BLANK

Hawker Beechcraft Corporation

F33/G33/F33A/F33C ILLUSTRATED PARTS CATALOG



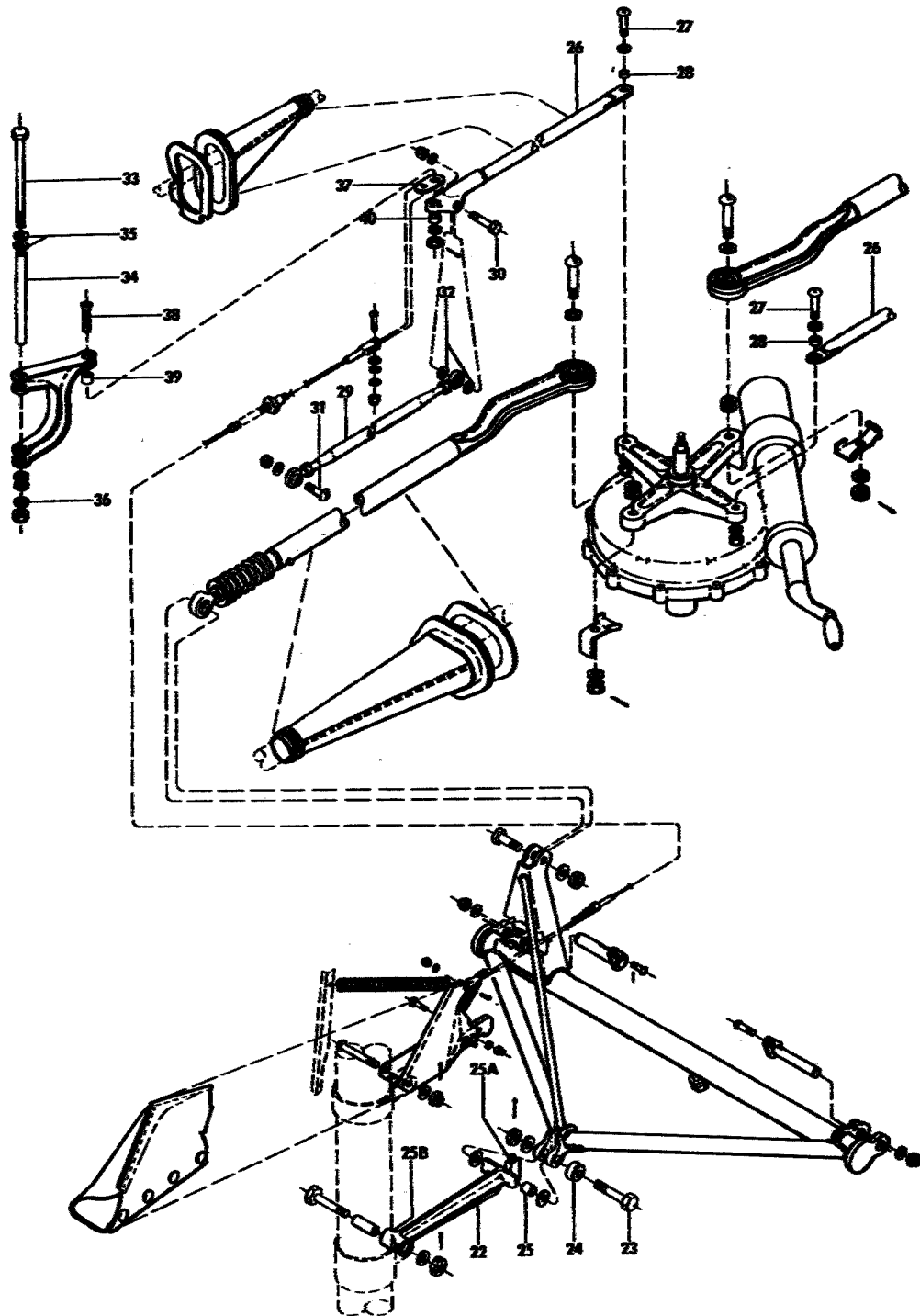
F33A-323001-01-AA

MAIN LANDING GEAR RETRACT SYSTEM
SHEET 1 OF 3

32-30-01
PAGE 0
JUL 01/12

Hawker Beechcraft Corporation

F33/G33/F33A/F33C ILLUSTRATED PARTS CATALOG



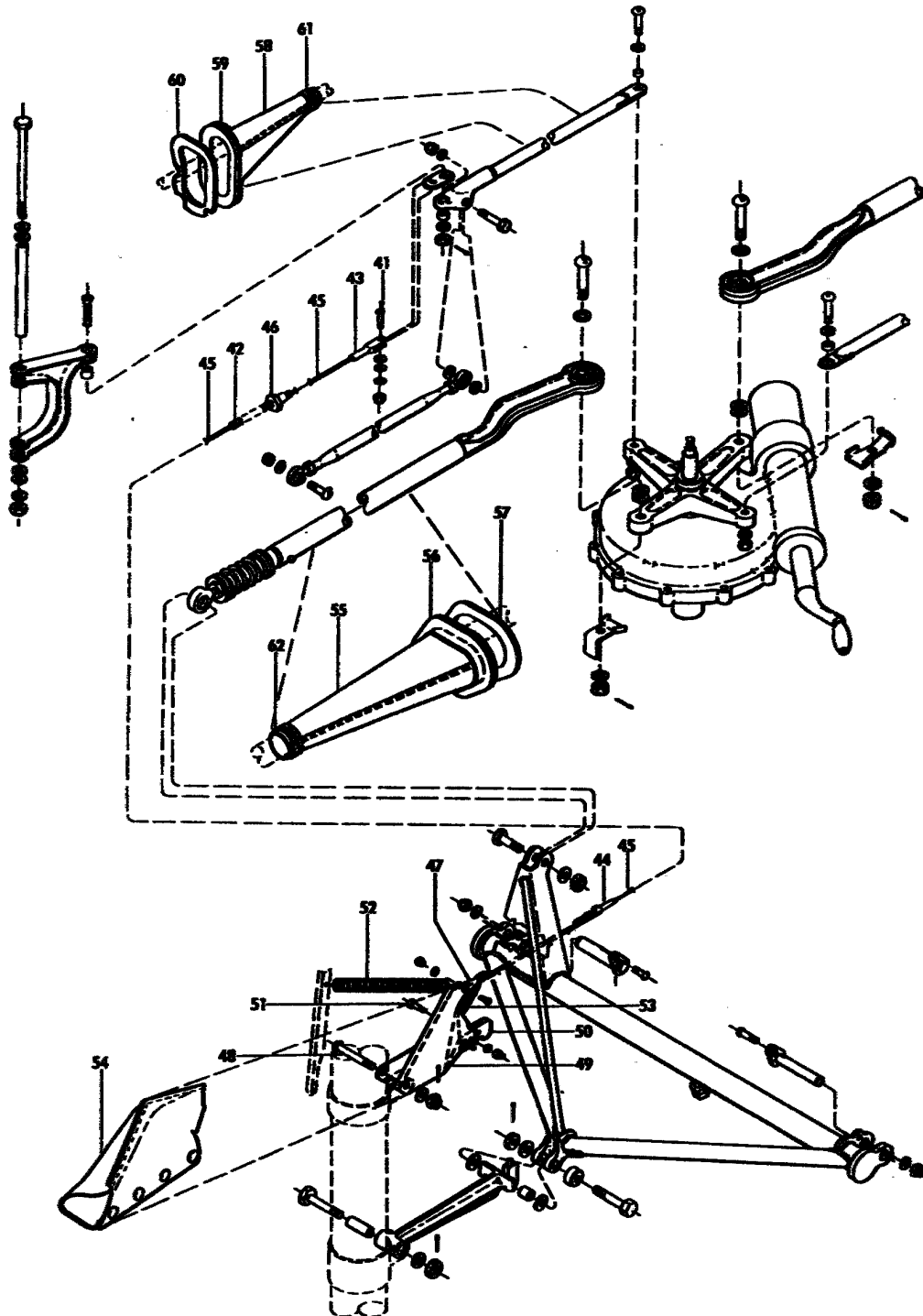
F33A-323001-02-AA

MAIN LANDING GEAR RETRACT SYSTEM
SHEET 2 OF 3

32-30-01
PAGE 0A
JUL 01/12

Hawker Beechcraft Corporation

F33/G33/F33A/F33C ILLUSTRATED PARTS CATALOG



F33A-323001-03-AA

MAIN LANDING GEAR RETRACT SYSTEM
SHEET 3 OF 3

32-30-01
PAGE 0B
JUL 01/12

Hawker Beechcraft Corporation

F33/G33/F33A/F33C ILLUSTRATED PARTS CATALOG

FIG ITEM	PART NUMBER	NOMENCLATURE 1 2 3 4 5 6 7	USABLE ON CODE	UNITS	
				PER ASSY	
01	35-815101-3	MAIN LANDING GEAR RETRACT SYSTEM	FE		
	35-815101-15	RETRACT INSTL-MAIN LANDING GEAR	D	RF	
	1	35-810075-13	RETRACT INSTL-MAIN LANDING GEAR	C	RF
			.ACTUATOR ASSY-LANDING GEAR RETRACT SEE 32-32-01 FOR SPARES ORDER: 35-810075-7	A	1
	1	35-810075-7	.ACTUATOR ASSY-LANDING GEAR RETRACT SEE 32-32-01 SPARES REPLACEMENT FOR: 35-810075-13	A	1
		95-810017-23	.ACTUATOR ASSY-LDG GEAR RETRACT SEE 32-32-01 FOR SPARES ORDER: 95-810017-11, 95-810017-13, 95-810017-15, 95-810017-17, 95-810017-19 & 95-810017-21	B	1
	95-810017-11	.ACTUATOR ASSY-LDG GEAR RETRACT SEE 32-32-01 SPARES REPLACEMENT FOR: 95-810017-23	B	1	
	95-810017-13	.ACTUATOR ASSY-LDG GEAR RETRACT SEE 32-32-01 SPARES REPLACEMENT FOR: 95-810017-23	B	1	
	95-810017-15	.ACTUATOR ASSY-LDG GEAR RETRACT SEE 32-32-01 SPARES REPLACEMENT FOR: 95-810017-23	B	1	
	95-810017-17	.ACTUATOR ASSY-LDG GEAR RETRACT SEE 32-32-01 SPARES REPLACEMENT FOR: 95-810017-23	B	1	
	95-810017-19	.ACTUATOR ASSY-LDG GEAR RETRACT SEE 32-32-01 SPARES REPLACEMENT FOR: 95-810017-23	B	1	
	95-810017-21	.ACTUATOR ASSY-LDG GEAR RETRACT SEE 32-32-01 SPARES REPLACEMENT FOR: 95-810017-23	B	1	
	2	35-364127	.ACTUATOR-LANDING GEAR SWITCH	D	1
	3	102-810016-5	.ACTUATOR-LANDING GEAR SWITCH	C	1
		35-364130	.ACTUATOR-LANDING GEAR SWITCH	FE	1
	35-815125-41	.ROD ASSY-MAIN GEAR RETRACT, LH	FE	1	
	35-815125-43	.ROD ASSY-MAIN GEAR RETRACT, RH	FE	1	
4	AN26-23/M/	ATTACHING PARTS			
5		.BOLT	FE	1	
	AN960-616	.WASHER	FE	3	

- ITEM NOT ILLUSTRATED

32-30-01

PAGE 1
JUL 01/12

BONANZA

Hawker Beechcraft Corporation

F33/G33/F33A/F33C ILLUSTRATED PARTS CATALOG

FIG ITEM	PART NUMBER	NOMENCLATURE 1 2 3 4 5 6 7	USABLE ON CODE	UNITS	
				PER ASSY	
01	130909N18	.NUT	FE	1	
	MS20365-624	.NUT	FE	1	
	AN380-3-2	.PIN-COTTER	FE	1	
		-----*-----			
	6	LS6	..BEARING	FE	1
	7	35-815125-602	..BRAZE ASSY-ROD, LH	FE	1
		35-815125-604	..BRAZE ASSY-ROD, RH	FE	1
	8	35-815131	..PLUNGER ASSY-LANDING GEAR RETRACT ROD ATTACHING PARTS	FE	1
	9	AN394-33	..PIN	FE	1
		AN960D416L	..WASHER	FE	1
		MS24665-132	..PIN-COTTER	FE	1
			-----*-----		
		35-815125-10	..TUBE-RETRACT ROD	FE	1
	10	100951S063XP	..WASHER-LH	FE	4
		100951S063XP	..WASHER-RH	FE	3
11	45-815091-3	..SPRING	FE	1	
12	100951S063YU	..WASHER	FE	1	
13	131553F6-6M	..END-ROD	FE	1	
14	AN316-6R	..NUT	FE	1	
15	35-815155-610	.BRACE ASSY-LANDING GEAR RETRACT, LH	FE	1	
	35-815155-611	.BRACE ASSY-LANDING GEAR RETRACT, RH ATTACHING PARTS	FE	1	
16	AN6-11A/M/ AN960-616	.BOLT	FE	1	
	MS20365-624	.WASHER	FE	1	
17	35-815120	.NUT	FE	1	
		.PIN ASSY-LANDING GEAR RETRACT BRACE, AFT	FE	1	
	100951S016YP	.WASHER	FE	AR	
	100951S032YP	.WASHER	FE	AR	
18	35-815123-10	.PIN ASSY-LANDING GEAR RETRACT BRACE, FWD	FE	1	
	100951S016XF	.WASHER	FE	AR	
	100951S032XF	.WASHER	FE	AR	
19	AN515-8R8	.SCREW	FE	2	
	AN960-8	.WASHER	FE	2	
	MS20365-832	.NUT	FE	2	
20	130909B265	.BOLT	FE	1	
	AN960-516	.WASHER	FE	1	
21	35-815124	.BUSHING-RETRACT BRACE LOWER GRIP	FE	1	
	130909N17	.NUT	FE	1	
	MS24665-132	.PIN-COTTER	FE	1	
		-----*-----			
	35-815102-20	..BRACE ASSY-LH FOR SPARES ORDER: 35-815155-610	FE	1	

- ITEM NOT ILLUSTRATED

32-30-01

PAGE 2
JUL 01/12

BONANZA

Hawker Beechcraft Corporation

F33/G33/F33A/F33C ILLUSTRATED PARTS CATALOG

FIG ITEM	PART NUMBER	NOMENCLATURE 1 2 3 4 5 6 7	USABLE ON CODE	UNITS PER ASSY
01	35-815102-21	..BRACE ASSY-RH FOR SPARES ORDER: 35-815155-611	FE	1
22	35-815129	..LEG ASSY-MAIN GEAR RETRACT FOR SPARES ORDER: 35-815155-610 LH OR 35-815155-611 RH	FE	1
23	35-815274-1	..BOLT- FOR SPARES ORDER: 58-810014-1 AND NAS464-5-23M	FE	1
	58-810014-1	..BOLT- SPARES REPLACEMENT FOR: 35-815274-1	FE	1
	NAS464-5-23M	..BOLT- SPARES REPLACEMENT FOR: 35-815274-1 ATTACHING PARTS	FE	1
24	NAS505-5J	..BEARING	FE	1
25	35-810122-1	..BUSHING-RETRACT BRACE GRIP	FE	1
	AN960-516L	..WASHER	FE	1
	AN320-5/M/	..NUT	FE	1
	MS24665-132	..PIN-COTTER	FE	1
		-----*-----		
25A	1729	...FITTING-LUBRICATION	FE	1
25B	AN286-1	...FITTING-LUBRICATION	FE	1
26	45-815003-3	.ROD ASSY-LANDING GEAR DOOR ACTUATOR, LH	FE	1
	45-815003-1	.ROD ASSY-LANDING GEAR DOOR ACTUATOR, RH ATTACHING PARTS	FE	1
27	AN24-16/M/	.BOLT	FE	1
	AN960-416	.WASHER	FE	2
28	35-815101-2	.BUSHING	FE	1
	130909N7	.NUT	FE	1
	MS24665-132	.PIN-COTTER	FE	1
		-----*-----		
29	35-815007-4	.LINK ASSY-MAIN GEAR DOOR ATTACHING PARTS	FE	1
30	AN4-12A/M/	.BOLT	FE	1
31	AN24-15/M/	.BOLT	FE	1
	AN960-416L	.WASHER	FE	1
	AN3-5/M	.NUT	FE	1
	130909N16	.NUT	FE	1
	MS24665-132	.PIN-COTTER	FE	1
32	102933S5ZL0125	.SPACER	FE	2
		-----*-----		
	35-815118	.ARM-MAIN GEAR DOOR IDLER ATTACHING PARTS	FE	1
33	AN4-54A/M/	.BOLT	FE	1
34	100801S5-4781	.BUSHING	FE	1
	AN960-416	.WASHER	FE	1

- ITEM NOT ILLUSTRATED

32-30-01

PAGE 3
JUL 01/12

BONANZA

Hawker Beechcraft Corporation

F33/G33/F33A/F33C ILLUSTRATED PARTS CATALOG

FIG ITEM	PART NUMBER	NOMENCLATURE 1 2 3 4 5 6 7	USABLE ON CODE	UNITS PER ASSY
01				
35	100951P062YH	.WASHER	FE	2
36	108492S1416-016 MS20365-428	.WASHER .NUT	FE FE	1 1
		-----*-----		
37	35-815078	.LINK-MAIN LANDING GEAR UPLOCK CABLE ATTACHING PARTS	FE	1
38	35-815183	.SCREW-LANDING GEAR DOOR IDLER, ATTACH	FE	1
39	105739D-ZT0250	.BUSHING	FE	1
40	105739S-ZE0137 AN960-10 130909N6 MS24665-132	.BUSHING .WASHER .NUT .PIN-COTTER	FE FE FE FE	1 1 1 1
		-----*-----		
	35-815109	.CABLE ASSY-MAIN GEAR UPLOCK ATTACHING PARTS	FE	1
41	AN23-10/M/ AN960-10 AN960-10L 130909N6 MS24665-132	.BOLT .WASHER .WASHER .NUT .PIN-COTTER	FE FE FE FE FE	2 1 1 2 2
		-----*-----		
42	S167-46	..HOUSING-46 IN. LONG	FE	1
43	AN667-2	..TERMINAL-CABLE	FE	1
44	AN666-2	..TERMINAL-CABLE	FE	1
45	35-815109-2	..CABLE-MAIN GEAR UPLOCK	FE	1
46	S123 AN960-616 MS20365-624	..BUSHING ..WASHER ..NUT	FE FE FE	2 2 2
47	AN665-10R 35-815077-12 35-815077-13	..TERMINAL .LOCK ASSY-MAIN LANDING GEAR, UP LH .LOCK ASSY-MAIN LANDING GEAR, UP RH ATTACHING PARTS	FE FE FE FE	1 1 1 1
48	AN24-32/M/ AN960-416L 130909N7 MS24665-132	.BOLT .WASHER .NUT .PIN-COTTER	FE FE FE FE	1 1 1 1
		-----*-----		
49	35-815077-14 35-815077-15	..BRACKET-LANDING GEAR UPLOCK, LH ..BRACKET-LANDING GEAR UPLOCK, RH	FE FE	1 1
50	35-815077-4 35-815077-5	..BLOCK-LANDING GEAR, LH ..BLOCK-LANDING GEAR, RH ATTACHING PARTS	FE FE	1 1
51	AN3-5A/M/ AN960-10	..BOLT ..WASHER	FE FE	2 2

- ITEM NOT ILLUSTRATED

32-30-01

PAGE 4
JUL 01/12

BONANZA

Hawker Beechcraft Corporation

F33/G33/F33A/F33C ILLUSTRATED PARTS CATALOG

FIG ITEM	PART NUMBER	NOMENCLATURE 1 2 3 4 5 6 7	USABLE ON CODE	UNITS
				PER ASSY
01	MS20365-1032	..NUT -----*-----	FE	2
52	35-815115	.SPRING-MAIN LANDING GEAR UPLOCK	FE	2
53	100942C0020-31	.SPRING-TENSION	FE	2
54	35-815156-4	.BOOT ASSY-LANDING GEAR UPLOCK, LH	FE	1
	35-815156-5	.BOOT ASSY-LANDING GEAR UPLOCK, RH	FE	1
	33-534047	SEAL INSTL-CABIN	FE	RF
	96-810024	.SEAL ASSY-LANDING GEAR DOOR RETRACT ROD	FE	2
	96-810024-7	..SEAL ASSY	FE	1
55	96-810024-1	...SEAL	FE	1
56	96-810024-5	...FLANGE	FE	1
57	96-810024-3	..RING	FE	1
	96-810023-7	.SEAL ASSY-LANDING GEAR RETRACT ROD	FE	2
58	96-810023-1	..SEAL	FE	1
59	96-810023-5	..FLANGE	FE	1
60	33-534047-1	.RING-LANDING GEAR RETRACT ROD SEAL	FE	1
61	NAS397-16	.CLAMP	FE	1
62	NAS397-8	.CLAMP	FE	1
A		CD1235-CD1304,CE0290-CE0747, CE0749-CE0771,CJ0026-CJ0148		
B		CE0748,CE0772-CE9999, CJ0149-CJ9999		
C		CE0959-CE9999,CJ0156-CJ9999		
D		CD1235-CD1304,CE0290-CE0958, CJ0026-CJ0155		
FE		CD1235-CD1304,CE0290-CE9999, CJ0026-CJ9999		

- ITEM NOT ILLUSTRATED

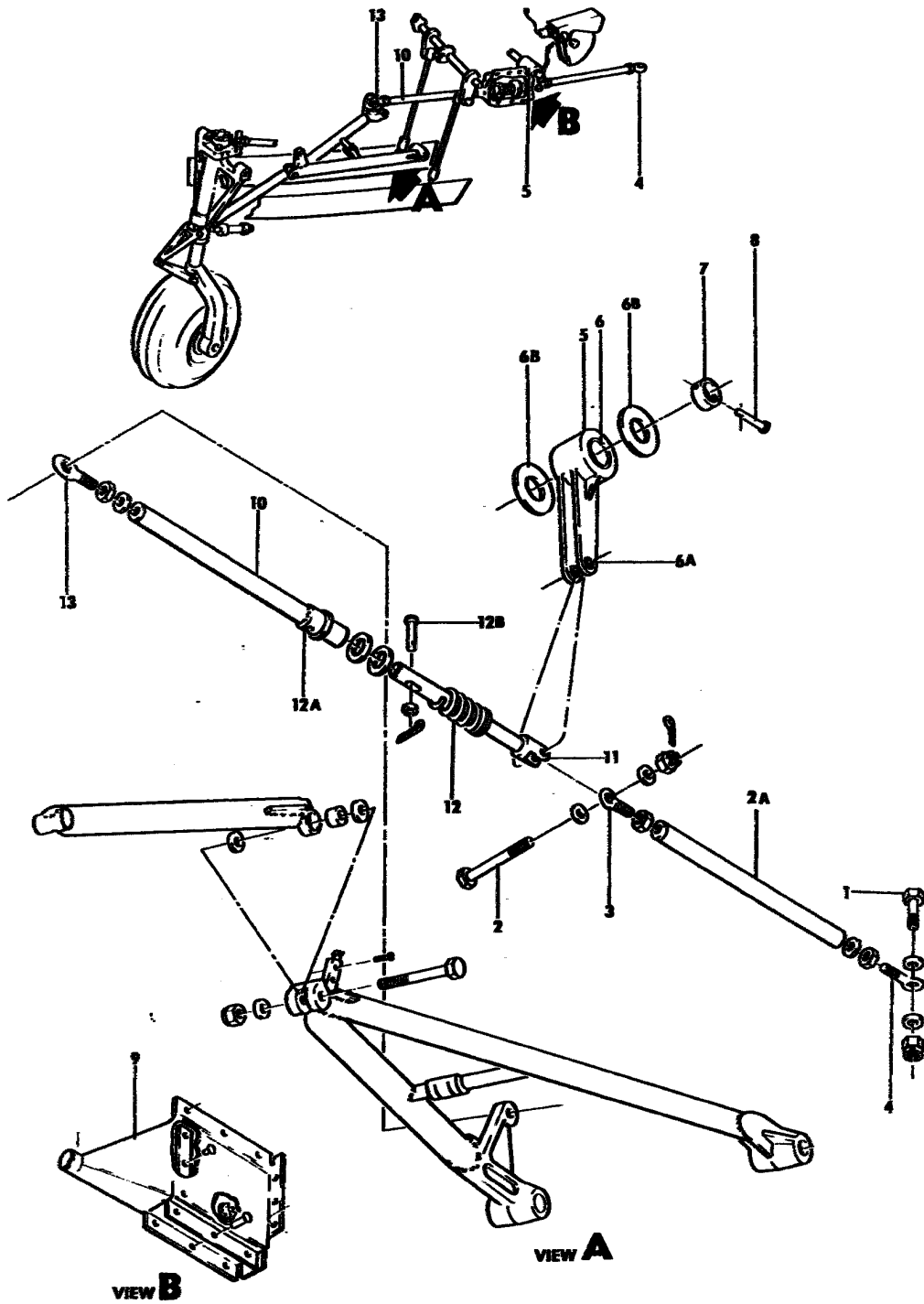
32-30-01

PAGE 5
JUL 01/12

BONANZA

Hawker Beechcraft Corporation

F33/G33/F33A/F33C ILLUSTRATED PARTS CATALOG



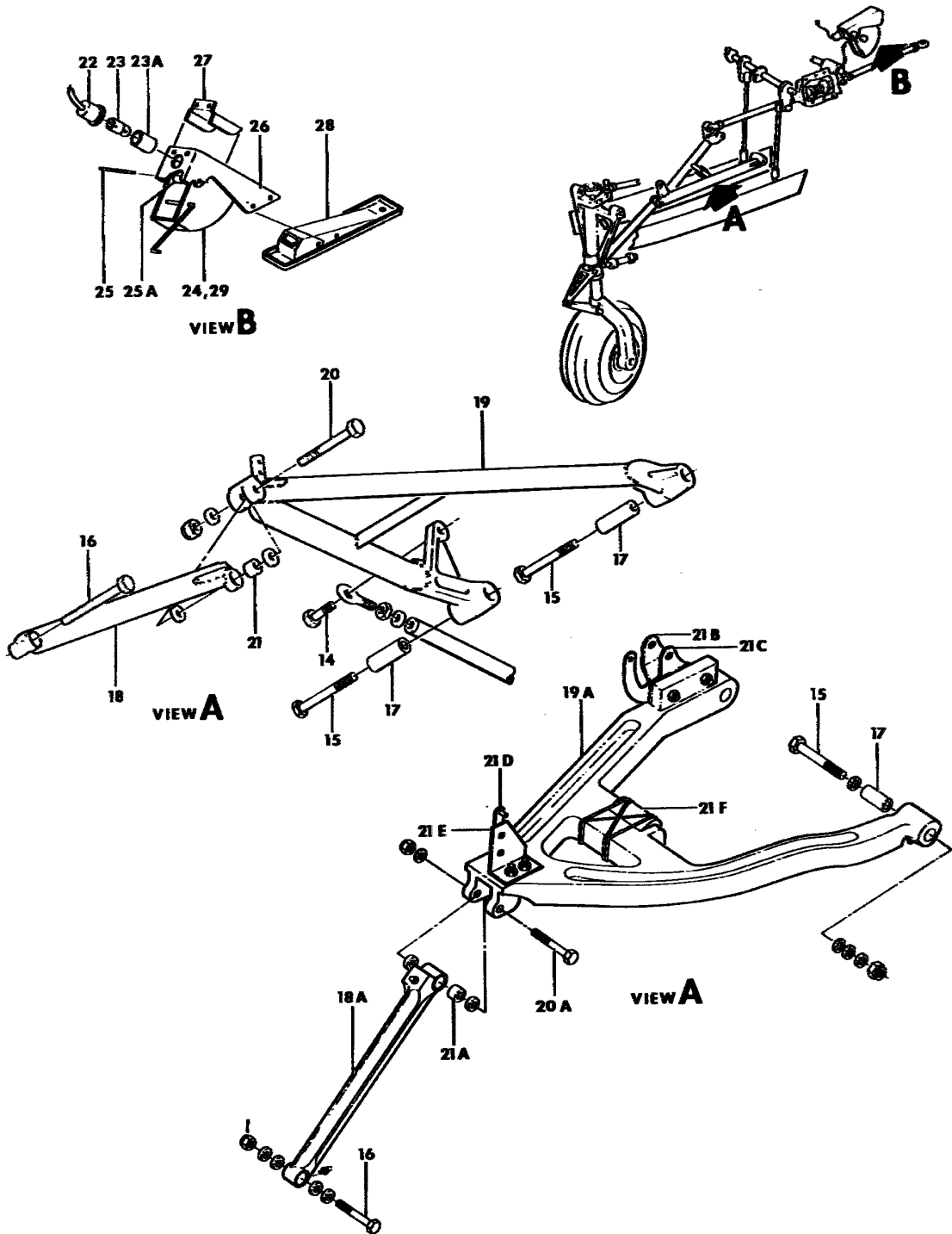
F33A-323101-01-AA

NOSE GEAR RETRACT SYSTEM
SHEET 1 OF 3

32-31-01
PAGE 0
JUL 01/12

Hawker Beechcraft Corporation

F33/G33/F33A/F33C ILLUSTRATED PARTS CATALOG



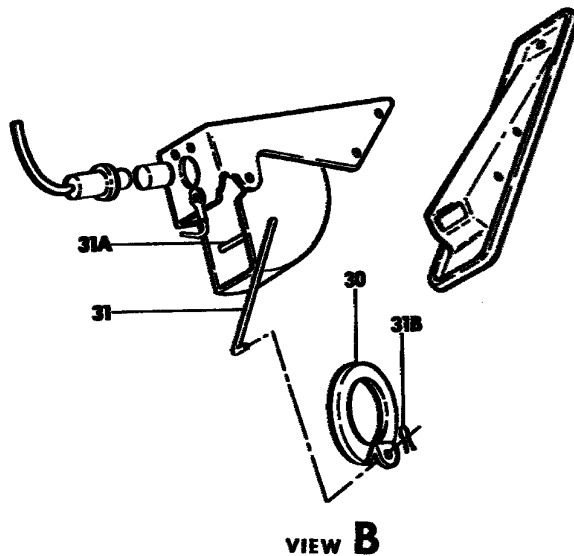
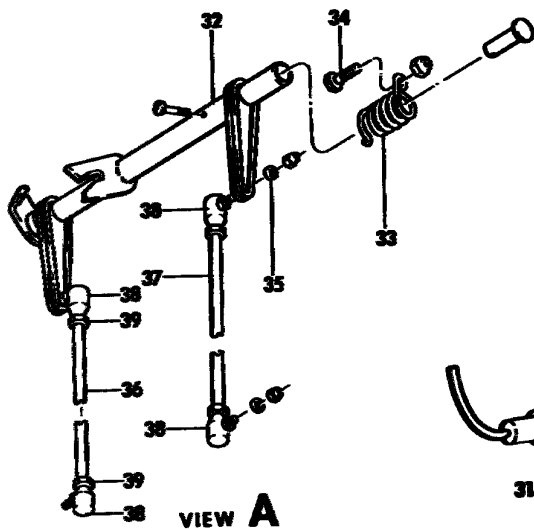
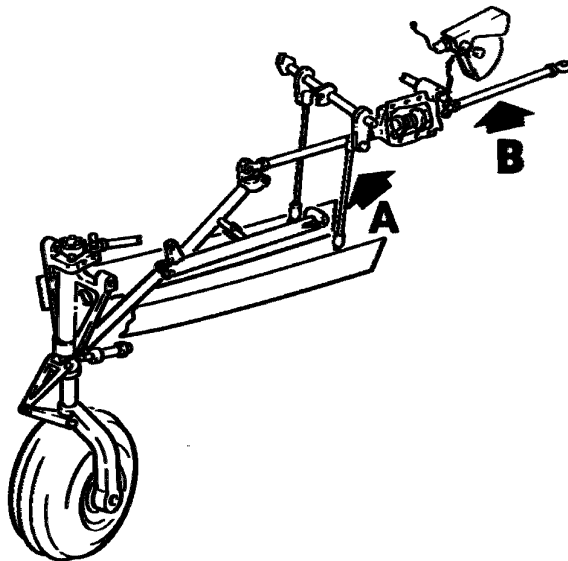
F33A-323101-02-AA

NOSE GEAR RETRACT SYSTEM
SHEET 2 OF 3

32-31-01
PAGE 0A
JUL 01/12

Hawker Beechcraft Corporation

F33/G33/F33A/F33C ILLUSTRATED PARTS CATALOG



F33A-323101-03-AA

NOSE GEAR RETRACT SYSTEM
SHEET 3 OF 3

32-31-01
PAGE 0B
JUL 01/12

Hawker Beechcraft Corporation

F33/G33/F33A/F33C ILLUSTRATED PARTS CATALOG

FIG ITEM	PART NUMBER	NOMENCLATURE 1 2 3 4 5 6 7	USABLE ON CODE	UNITS PER ASSY
01	33-820000-3	NOSE GEAR RETRACT SYSTEM	FE	
	35-825071-5	RETRACT INSTL-NOSE LANDING GEAR	A	RF
	36-820011-17	RETRACT INSTL-NOSE LANDING GEAR	B	RF
		.ROD ASSY-RETRACT	FE	1
		ALTERNATE SPARE:		
	36-820018-1	36-820018-1		
		.ROD ASSY-RETRACT	B	1
		ALTERNATE SPARE:		
		36-820011-17		
		ATTACHING PARTS		
1	AN26-28/M/	.BOLT	FE	1
	AN960-616	.WASHER	FE	1
	AN960-616L	.WASHER	FE	2
	MS17826-6	.NUT	FE	1
	MS24665-132	.PIN-COTTER	FE	1
2	AN25-22/M/	.BOLT	FE	1
	AN960-516L	.WASHER	FE	2
	100951CR016YF	.WASHER	FE	2
	130909N17	.NUT	FE	1
	MS24665-132	.PIN-COTTER	FE	1
		-----*-----		
2A	36-820011-9	..TUBE ASSY-SWAGED	FE	1
		ALTERNATE SPARE:		
	36-820018-19	36-820018-19		
		..TUBE ASSY-BRAZED	FE	1
		ALTERNATE SPARE:		
		36-820011-9		
3	ADNE5-323	..END-ROD	FE	1
		FOR SPARES ORDER:		
		DREMHD5		
	DREMHD5	..END, ROD-	FE	1
		ALTERNATE SPARE:		
		ADNE5-323		
	ARHT5ECR	..END-ROD	FE	1
		ALTERNATE SPARE:		
		ADNE5-323		
	AN960-616L	..WASHER	FE	1
	AN316-6R	..NUT	FE	1
4	ADNEL6-317	..END-ROD	FE	1
		FOR SPARES ORDER:		
		131554L6M OR		
		131554LFG6M		
	131554L6M	..END, ROD-	FE	1
		SPARES REPLACEMENT FOR:		
		ADNEL6-317		
	131554LFG6M	..END, ROD-	FE	1
		SPARES REPLACEMENT FOR:		
		ADNEL6-317		
	AN960-716L	..WASHER	FE	1
	AN316-7L	..NUT	FE	1
	SS51351	.PLUG-BUTTON	FE	1

- ITEM NOT ILLUSTRATED

32-31-01

Hawker Beechcraft Corporation

F33/G33/F33A/F33C ILLUSTRATED PARTS CATALOG

FIG ITEM	PART NUMBER	NOMENCLATURE 1 2 3 4 5 6 7	USABLE ON CODE	UNITS PER ASSY
01	002-820011-1	.ARM ASSY-NOSE GEAR RETRACT IDLER	FE	1
5	002-820011-3	..ARM-NOSE GEAR RETRACT IDLER	FE	1
6	B148	..BEARING	FE	2
6A	105740X-ZU0164	..BUSHING	FE	2
6B	100951S031XW	.WASHER	FE	2
7	35-820095	.COLLAR-NOSE GEAR RETRACT IDLER	FE	1
8	MS20392-1-37	.PIN-FLATHEAD	FE	1
	MS24665-130	.PIN-COTTER	FE	1
9	35-825076-5	.BOOT- ORDER KIT 35-8009-3	G	1
	002-820014-11	.BOOT- ORDER KIT 35-8009-3	F	1
	36-820023-1	.BOOT	H	1
	002-820013-1	.COVER- WITHOUT KIT	F	1
	36-820025-1	.COVER- WITH KIT ATTACHING PARTS	H	1
	MS35206-277	.SCREW- WITH KIT	FE	13
	AN960-6L	.WASHER- WITH KIT -----*-----	FE	13
	002-820015-1	.STRIP- WITHOUT KIT	F	1
	36-820024-1	.STRIP- WITH KIT	H	1
	35-825078-3	.STRIP- WITH KIT	H	1
	GS5	.CLAMP- WITH KIT	H	1
	49338	.FASTENER- WITHOUT KIT	F	1
	AN525-10R6	.SCREW- WITHOUT KIT	F	1
	AN960PD10L	.WASHER- WITHOUT KIT	F	1
	35-825087-16	.ROD ASSY-FWD NOSE GEAR RETRACT LINK	FE	1
10	35-825087-14	..BRAZE ASSY	FE	1
11	35-825094-4	..PLUNGER ASSY	FE	1
12	35-825188	..SPRING-NOSE GEAR RETRACT COMPRESSION	FE	1
12A	35-825089	..FLANGE	FE	1
12B	AN393-25	..PIN- ALTERNATE SPARE: MS20392-2C25	FE	1
	MS20392-2C25	..PIN- ALTERNATE SPARE: AN393-25	FE	1

- ITEM NOT ILLUSTRATED

32-31-01

PAGE 2
JUL 01/12

BONANZA

Hawker Beechcraft Corporation

F33/G33/F33A/F33C ILLUSTRATED PARTS CATALOG

FIG ITEM	PART NUMBER	NOMENCLATURE 1 2 3 4 5 6 7	USABLE ON CODE	UNITS
				PER ASSY
01	AN960D10L	..WASHER	FE	1
	MS24665-132	..PIN-COTTER	FE	1
13	ADNE5-323	..END-ROD	FE	1
		FOR SPARES ORDER: HMX5FG OR 131554FG5M		
	HMX5FG	..END, ROD-	FE	1
		SPARES REPLACEMENT FOR: ADNE5-323		
	131554FG5M	..END, ROD-	FE	1
		SPARES REPLACEMENT FOR: ADNE5-323		
	AN316-6R	..NUT	FE	1
	AN960-616L	..WASHER	FE	1
	95-824018-3	.BRACE ASSY-	C	1
		ORDER KIT 35-4012-1		
	002-820018-3	.BRACE ASSY	D	1
		ATTACHING PARTS		
14	35-825108	.BOLT-NOSE GEAR LINK ROD	FE	1
	AN320-5/M/	.NUT	FE	1
	AN380-2-2	.PIN-COTTER	FE	1
15	AN6-30A/M/	.BOLT	FE	2
	MS27183-13	.WASHER	FE	2
	AN960-616	.WASHER	FE	2
	AN960-616L	.WASHER	FE	4
16	AN6-36	.BOLT	FE	1
	105740S-ZT1110	.BUSHING	FE	1
	AN960-616	.WASHER	FE	4
	130909N9	.NUT	FE	1
	AN380-2-3	.PIN-COTTER	FE	1
17	35-825123	.BUSHING	C	2
	35-825123-9	.BUSHING	D	2
		-----*-----		
18	45-825080-13	..LEG ASSY-DRAG	C	1
		ORDER KIT 35-4012-1		
18A	002-820017-1	..LEG ASSY-DRAG	D	1
	MS15002-1	...FITTING-GREASE	FE	2
19	95-824019-3	..BRACE ASSY-DRAG	C	1
		ORDER KIT 35-4012-1		
19A	002-820016-31	..BRACE ASSY-V	D	1
		ATTACHING PARTS		
20	NAS55A14/M/	..BOLT	C	1
	AN960-716	..WASHER	C	2
	MS20365-524	..NUT	C	1
20A	AN175-17A	..BOLT	D	1
	AN960-516	..WASHER	D	1
	130909N24	..NUT	D	1
21	NAS72-5-011	..BUSHING	C	1
21A	NAS72-5-011	..BUSHING-	D	1
		USED WITH 002-820018-3		
		-----*-----		
21B	002-820016-27	...ARM-OUTBD	FE	1

- ITEM NOT ILLUSTRATED

32-31-01

PAGE 3
JUL 01/12

BONANZA

Hawker Beechcraft Corporation

F33/G33/F33A/F33C ILLUSTRATED PARTS CATALOG

FIG ITEM	PART NUMBER	NOMENCLATURE 1 2 3 4 5 6 7	USABLE ON CODE	UNITS
				PER ASSY
01				
21C	002-820016-29	...ARM-INBD	FE	1
	130909B40	...BOLT	FE	1
	AN960D416	...WASHER	FE	1
	130909N32	...NUT	FE	1
	130909B20	...BOLT	FE	1
	AN960D10	...WASHER	FE	1
	130909N29	...NUT	FE	1
21D	002-820016-39	...PIN ASSY-DOOR ACTUATOR PRE SERVICE BULLETIN: 2601	J	1
21D	45-825072-93	...PIN ASSY-DOOR ACTUATOR SERVICE BULLETIN: 2601	FE	1
21E	002-820016-9	...BRACKET-PIN SUPPORT	FE	1
21F	95-824019-1	...BUMPER ASSY	C	1
	002-820016-41	...BUMPER	D	1
	35-815239	..INDICATOR INSTL-NOSE GEAR POSITION	E	RF
	35-815239-629	..INDICATOR ASSY-NOSE GEAR POSITION	E	1
	NAS384-8-6P	..SCREW	FE	2
	NAS395-17	..NUT	FE	2
22	2505	...SOCKET-NOSE GEAR POSITION INDICATOR	E	1
23	53	...BULB-CLEAR	E	1
23A	D165-100-2	...FILTER-BLUE	E	1
24	35-815239-7	...INDICATOR-NOSE GEAR POSITION ATTACHING PARTS	E	1
	AN3-17/M/	...BOLT	FE	1
25	MS20392-1C57	...PIN	FE	1
25A	35-815239-19	...SPACER	FE	1
	AN960-10L	...WASHER	FE	1
	AN960PD6	...WASHER	FE	AR
	130909N29	...NUT	FE	1
	MS24665-130	...PIN-COTTER	FE	1
		-----*-----		
26	35-815239-13	...BRACKET-NOSE GEAR POSITION INDICATOR	E	1
27	35-815239-17	...SHIELD-NOSE GEAR POSITION INDICATOR	E	1
28	35-815239-11	...ESCUTCHEON ASSY-NOSE GEAR INDICATOR	E	1
29	35-815240	...DECAL-NOSE GEAR INDICATOR IDENTIFICATION	E	1
	320555	...DISCONNECT-HOT WIRE	E	1
	MS25036-149	...TERMINAL-GROUND WIRE ATTACHING PARTS	E	2
	AN515-8R	...SCREW	FE	1
		-----*-----		
30	35-815239-5	..BRACKET-NOSE GEAR POSITION INDICATOR	E	1

- ITEM NOT ILLUSTRATED

32-31-01

PAGE 4
JUL 01/12

BONANZA

Hawker Beechcraft Corporation

F33/G33/F33A/F33C ILLUSTRATED PARTS CATALOG

FIG ITEM	PART NUMBER	NOMENCLATURE 1 2 3 4 5 6 7	USABLE ON CODE	UNITS
				PER ASSY
01		ATTACHING PARTS		
	AN535-2-4	..SCREW	FE	1
		-----*-----		
31	35-815239-9	..LINK-NOSE GEAR POSITION INDICATOR	E	1
		ATTACHING PARTS		
31A	AN3-17/M/ AN960-10L MS20364-1032	..BOLT ..WASHER ..NUT	FE FE FE	1 1 2
		-----*-----		
	AN960-3	..WASHER-NOSE GEAR POSITION INDICATOR LINK	E	1
31B	A872-012-1	..NUT-LINK	E	1
32	002-410038-3	.SHAFT ASSY-NOSE LANDING GEAR DOOR ACTUATOR	FE	1
33	35-825074-1	.SPRING-DOOR ACTUATOR OPERATING ATTACHING PARTS	FE	1
34	AN525-832-8 MS20365-832	.SCREW .NUT	FE FE	1 1
		-----*-----		
	35-825191-19	.ROD ASSY-DOOR ACTUATOR ATTACHING PARTS	FE	2
35	AN960-10 MS20364-1032	.WASHER .NUT	FE FE	AR 2
		-----*-----		
36	35-825191-5	..ROD-DOOR ACTUATOR, LH	FE	1
37	35-825191-7	..ROD-DOOR ACTUATOR, RH	FE	1
38	C100102	..BALL JOINT	FE	2
39	AN315-3R	..NUT	FE	2
A		CD1235-CD1254		
B		CD1255-CD1304,CE0290-CE9999, CJ0026-CJ9999		
C		CD1235-CD1304,CE0290-CE0731, CJ0026-CJ0128		
D		CE0732-CE9999,CJ0129-CJ9999		
E		CD1235-CD1254,CE0290-CE0338, CJ0026-CJ0030		
F		CE0448-CE1018,CJ0040-CJ9999		
G		CD1235-CD1304,CE0290-CE0477, CJ0026-CJ0039		
H		CE1019-CE9999,CJ0156-CJ9999		
J		CD1235-CD1304,CE0290-CE0417, CE0419-CE0435,CJ0026-CJ0039		
FE		CD1235-CD1304,CE0290-CE9999, CJ0026-CJ9999		

- ITEM NOT ILLUSTRATED

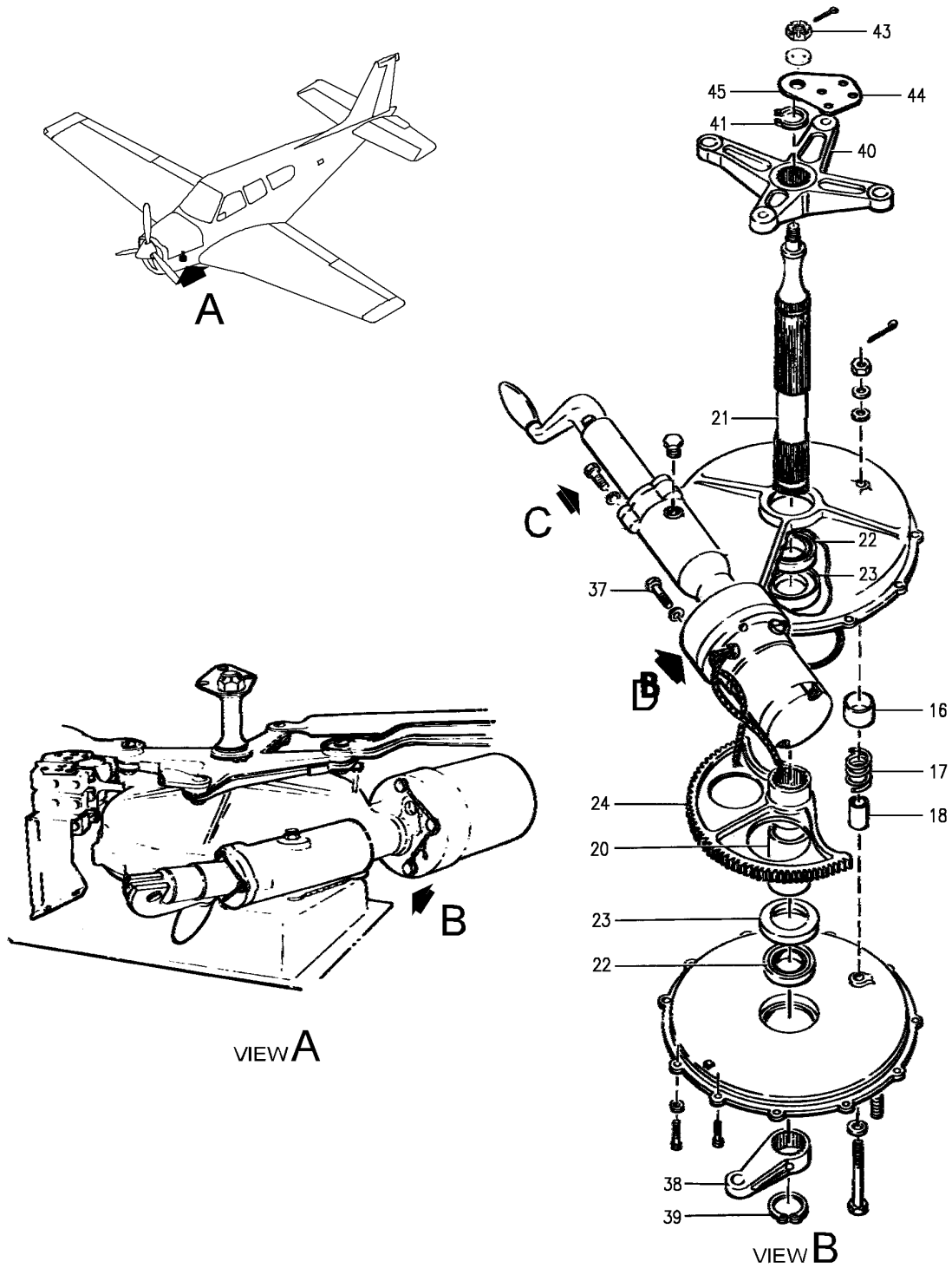
32-31-01

PAGE 5
JUL 01/12

BONANZA

Hawker Beechcraft Corporation

F33/G33/F33A/F33C ILLUSTRATED PARTS CATALOG



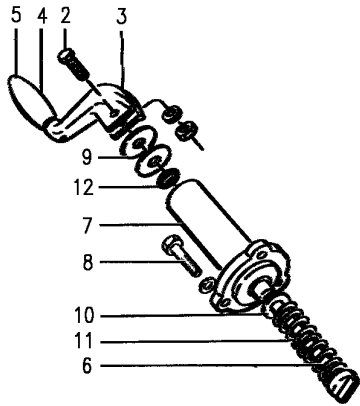
F33A-323201-01-AA

LANDING GEAR RETRACT GEARBOX
SHEET 1 OF 2

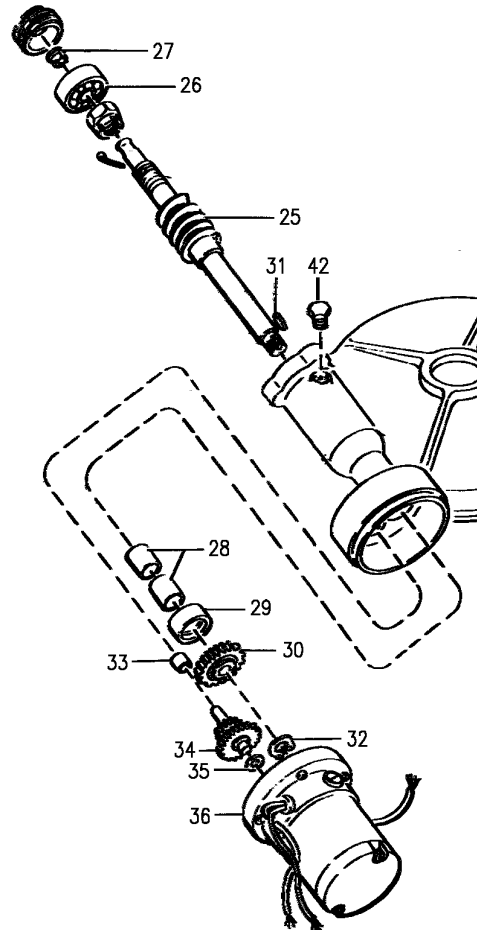
32-32-01
PAGE 0
JUL 01/12

Hawker Beechcraft Corporation

F33/G33/F33A/F33C ILLUSTRATED PARTS CATALOG



VIEW C



VIEW D

F33A-323201-02-AA

LANDING GEAR RETRACT GEARBOX
SHEET 2 OF 2

32-32-01
PAGE 0A
JUL 01/12

Hawker Beechcraft Corporation

F33/G33/F33A/F33C ILLUSTRATED PARTS CATALOG

PAGE INTENTIONALLY LEFT BLANK

Hawker Beechcraft Corporation

F33/G33/F33A/F33C ILLUSTRATED PARTS CATALOG

FIG ITEM	PART NUMBER	NOMENCLATURE 1 2 3 4 5 6 7	USABLE ON CODE	UNITS PER ASSY
01	35-810075-13	LANDING GEAR RETRACT GEARBOX ACTUATOR ASSY-LANDING GEAR RETRACT	FE A	1
	95-810017-23	ACTUATOR ASSY-LANDING GEAR RETRACT FOR 28 VOLT	B	1
1	35-810097	ATTACHING PARTS STUD-LANDING GEAR RETRACT	FE	4
	AN960-416	WASHER	FE	4
	MS20365-428	NUT	FE	4
		-----*-----		
	35-810094-10	.CRANK ASSY-HAND ATTACHING PARTS	FE	1
2	AN23-17A/M/ AN960-10	.BOLT	FE	1
	MS20365-1032	.WASHER	FE	1
		.NUT	FE	1
		-----*-----		
3	35-810094-12	..CRANK-HAND	FE	1
4	35-810094-6	..HANDLE-HAND CRANK	FE	1
5	AN393-77	..PIN	FE	1
	#75 LOCTITE	..COMPOUND-RETAINING	FE	AR
	AN960-10L	..WASHER	FE	1
6	35-810095	.SHAFT-HAND CRANK ENGAGING	FE	1
7	35-810142-2	.HOUSING-HAND CRANK SHAFT ATTACHING PARTS	FE	1
8	AN500A10-10	.SCREW	FE	3
	AN960-10	.WASHER	FE	3
		-----*-----		
	R134B	.COMPOUND-PERFECT SEAL SEALING	FE	AR
9	35-810134	.WASHER	FE	2
	35-810134-1	.WASHER	FE	AR
10	100951X063YW	.WASHER	FE	1
11	35-810075-11	.SPRING- FOR SPARES ORDER: 35-810075-25	A	1
11	35-810075-25	.SPRING- SPARES REPLACEMENT FOR: 35-810075-11	FE	1
12	AN6227B9	.PACKING	FE	1
13	35-810141-9	.HOUSING-LANDING GEAR ACTUATOR, UPPER	J	1
	35-810141-11	.HOUSING-LANDING GEAR ACTUATOR, UPPER	G	1
14	35-815020-3	.HOUSING-LANDING GEAR ACTUATOR, LOWER ATTACHING PARTS	FE	1
15	AN500A10-10	.SCREW	FE	9
	AN500A10-8	.SCREW	FE	2
	AN960-10	.WASHER	FE	11
		-----*-----		
16	100696X-YD024	.SPACER-GEAR STOP	FE	1
17	35-810119	.SPRING-GEAR STOP	FE	1

- ITEM NOT ILLUSTRATED

32-32-01

PAGE 1
JUL 01/12

BONANZA

Hawker Beechcraft Corporation

F33/G33/F33A/F33C ILLUSTRATED PARTS CATALOG

FIG ITEM	PART NUMBER	NOMENCLATURE 1 2 3 4 5 6 7	USABLE ON CODE	UNITS PER ASSY
01				
18	35-810087	.STOP-WORM SECTOR GEAR ATTACHING PARTS	FE	1
19	AN5-17/M/ AN960-516 AN960D516 130909N8 MS24665-132	.BOLT .WASHER .WASHER .NUT .PIN-COTTER -----*-----	FE FE FE FE FE	1 1 2 1 1
20	35-810088	.SPACER-LANDING GEAR ACTUATOR	FE	1
21	35-810083	.SHAFT-ACTUATOR DRIVE	FE	1
22	K21B	.BEARING-DRIVE SHAFT ALTERNATE SPARE: KP21B2TS	FE	2
	KP21B2TS	.BEARING, DRIVE SHAFT- ALTERNATE SPARE: K21B	FE	2
23	450273	.SEAL	FE	2
24	35-810117-5	.SECTOR-ACTUATOR WORM	FE	1
25	35-810076-3 AN380-3-4 35-810147	.GEAR-ACTUATOR WORM .PIN-COTTER .NUT-ACTUATOR WORM GEAR	FE FE FE	1 1 1
26	5201KD	.BEARING- ALTERNATE SPARE: 5201SBKF	FE	1
	5201SBKF	.BEARING- ALTERNATE SPARE: 5201KD	FE	1
	60-810106-1	.WASHER-BETWEEN HOUSING & BEARING	G	1
27	35-810077-3 45-810144	.BUSHING-ACTUATOR WORM GEAR .NUT	FE FE	2 1
28	B88	.BEARING	FE	2
29	09916M1	.SEAL	FE	1
30	35-810140	.GEAR-WORM DRIVE	FE	1
31	35-810091	.KEY-WORM DRIVE GEAR	FE	1
32	NAS51-43 MS16624-1043	.RING-SNAP .RING-SNAP	A B	1 1
33	M471	.BEARING	FE	1
34	35-810139 35-810135	.GEAR-SPUR & PINION .GEAR-SPUR & PINION	A B	1 1
35	105090CR032-4E	.WASHER	FE	1
36	35-380094	.MOTOR ASSY-LANDING GEAR ACTUATOR 14 VOLT SEE 32-33-01	C	1
	35-380094-3	.MOTOR ASSY-LANDING GEAR ACTUATOR 14 VOLT SEE 32-33-03	D	1

- ITEM NOT ILLUSTRATED

32-32-01

Hawker Beechcraft Corporation

F33/G33/F33A/F33C ILLUSTRATED PARTS CATALOG

FIG ITEM	PART NUMBER	NOMENCLATURE 1 2 3 4 5 6 7	USABLE ON CODE	UNITS PER ASSY
01	58-380090-1	.MOTOR ASSY-LANDING GEAR ACTUATOR 28 VOLT FOR SPARES ORDER: 58-380090-5, 96-380022 OR 96-380022-5	B	1
	58-380090-5	.MOTOR ASSY-LANDING GEAR ACTUATOR 28 VOLT SPARES REPLACEMENT FOR: 58-380090-1	B	1
	96-380022	.MOTOR ASSY-LANDING GEAR ACTUATOR 28 VOLT SPARES REPLACEMENT FOR: 58-380090-1	B	1
	96-380022-5	.MOTOR ASSY-LANDING GEAR ACTUATOR 28 VOLT SPARES REPLACEMENT FOR: 58-380090-1	B	1
37	AN73-15/M/ AN960-10L	.BOLT	FE	3
		.WASHER	FE	3
		-----*-----		
38	35-825172-13	.ARM-NOSE GEAR ACTUATOR RETRACT	FE	1
39	NAS51-131	.RING	FE	1
40	45-810090	.ARM-ACTUATOR RETRACT	H	1
	45-810090-3	.ARM-ACTUATOR RETRACT	F	1
41	58-810023-1	.ARM-ACTUATOR RETRACT	G	1
	NAS51-131	.RING	FE	1
42	5677	.PLUG-WORM GEAR GREASE	FE	1
	RTV108	.SEALANT	FE	AR
	60-810107-1	.DECAL-INSTRUCTION ACTUATOR RIGGING	G	1
	35-810132	SUPPORT ASSY-LANDING GEAR ACTUATOR UPPER ATTACHING PARTS	FE	1
43	AN960-716	WASHER	FE	1
	AN960-516	WASHER	FE	1
	130909N8	NUT	FE	1
	MS24665-132	PIN-COTTER	FE	1
		-----*-----		
44	35-810132-2	.SUPPORT-GEAR ACTUATOR UPPER	FE	1
45	35-810133	.BUSHING-ACTUATOR GEAR SUPPORT	FE	1
A		CD1235-CD1304,CE0290-CE0747, CE0749-CE0771,CJ0026-CJ0148 (CONTINUED NEXT PAGE)		

- ITEM NOT ILLUSTRATED

32-32-01

Hawker Beechcraft Corporation

F33/G33/F33A/F33C ILLUSTRATED PARTS CATALOG

FIG ITEM	PART NUMBER	NOMENCLATURE 1 2 3 4 5 6 7	USABLE ON CODE	UNITS PER ASSY
01		(CONTINUED)		
B		CE0748, CE0772-CE9999, CJ0149-CJ9999		
C		CD1235-CD1304, CE0290-CE0606, CJ0026-CJ0104		
D		CE0607-CE0747, CE0749-CE0771, CJ0105-CJ0148		
F		CE0813		
G		CE0959-CE9999, CJ0156-CJ9999		
H		CD1235-CD1304, CE0290-CE0812, CE0814-CE0958, CJ0026-CJ0155		
J		CD1235-CD1304, CE0290-CE0958, CJ0026-CJ0155		
FE		CD1235-CD1304, CE0290-CE9999, CJ0026-CJ9999		

- ITEM NOT ILLUSTRATED

32-32-01

PAGE 4
JUL 01/12

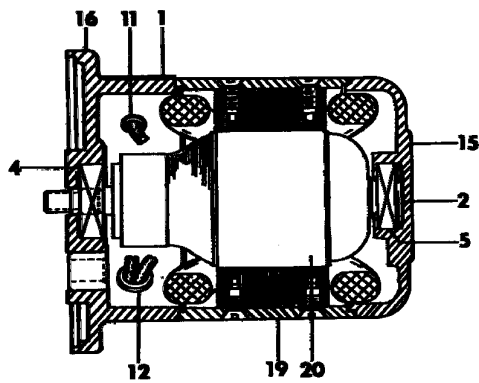
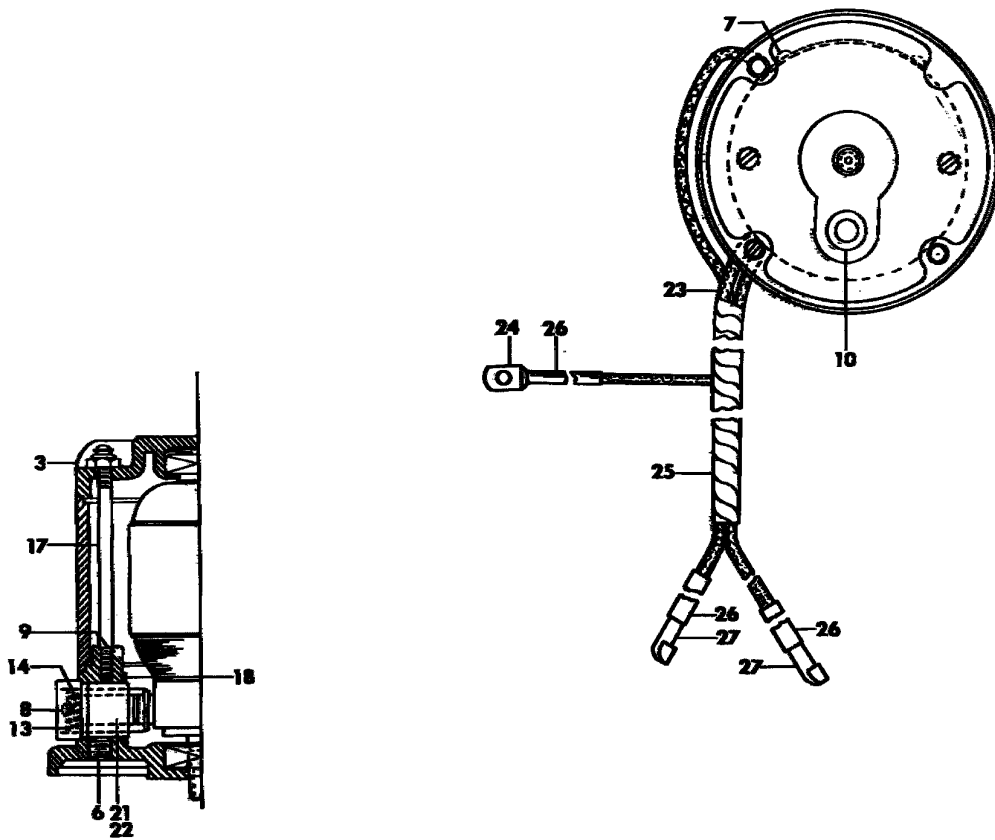
Hawker Beechcraft Corporation

F33/G33/F33A/F33C ILLUSTRATED PARTS CATALOG

PAGE INTENTIONALLY LEFT BLANK

Hawker Beechcraft Corporation

F33/G33/F33A/F33C ILLUSTRATED PARTS CATALOG



F33A-323301-01-AA

LANDING GEAR RETRACT MOTOR

32-33-01

PAGE 0
JUL 01/12

Hawker Beechcraft Corporation

F33/G33/F33A/F33C ILLUSTRATED PARTS CATALOG

FIG ITEM	PART NUMBER	NOMENCLATURE 1 2 3 4 5 6 7	USABLE ON CODE	UNITS	
				PER ASSY	
01	35-380094	LANDING GEAR RETRACT MOTOR MOTOR ASSY-LANDING GEAR RETRACT ALTERNATE SPARE: 35-380094-3	FE FE	1	
	35-380094-3	MOTOR ASSY-LANDING GEAR RETRACT ALTERNATE SPARE: 35-380094	FE	1	
	1	8047	.NAMEPLATE	FE	1
	2	0-3518	.SPRING-LOAD	FE	2
	3	7469	.NUT	FE	2
	4	30-7623	.BEARING-BALL	FE	1
	5	20-7609	.BEARING-BALL	FE	1
	6	7978	.SCREW-SET	FE	2
	7	8058	.PIN-DRIVE	FE	2
	8	8282	.PIN-COTTER	FE	2
	9	10-7822	.SCREW-SET	FE	2
	10	20-7642	.BEARING-NEEDLE	FE	1
	11	0-3883	.BUSHING-CORD	FE	1
	12	0-3896	.BUSHING-CORD	FE	1
	13	10-4431	.DISC-FIBER	FE	2
	14	5705	.SCREW-BRUSH HOLDER	FE	2
	15	0-6864	.BRACKET-END	FE	1
	16	0-6865	.BRACKET-END	FE	1
	17	10-7868	.STUD	FE	2
	18	0-2497	.WASHER-FIBER	FE	2
	19	IS14818F	.FIELD ASSY-MOTOR	FE	1
	20	13981A	.ARMATURE ASSY	FE	1
	21	33107A	.HOLDER ASSY-BRUSH	FE	2
	22	35107A	..BRUSH & SPRING ASSY	FE	1
	23	39109A	.CLIP ASSY-LEAD	FE	1
	24	0-5159	..LUG-TERMINAL	FE	1
	25	P0-750	..TAPE	FE	AR
26	20-3841	..SLEEVE	FE	3	
27	0-5157	..TERMINAL-QUICK DISCONNECT	FE	2	
FE		CD1235-CD1304,CE0290-CE0606, CJ0026-CJ0104			

- ITEM NOT ILLUSTRATED

32-33-01

PAGE 1
JUL 01/12

BONANZA

Hawker Beechcraft Corporation

F33/G33/F33A/F33C ILLUSTRATED PARTS CATALOG

FIG ITEM	PART NUMBER	NOMENCLATURE 1 2 3 4 5 6 7	USABLE ON CODE	UNITS PER ASSY
03		LANDING GEAR RETRACT MOTOR - 14 VOLT	FE	
	35-380094-3	MOTOR ASSY-LANDING GEAR RETRACT ALTERNATE SPARE: 35-380094	FE	1
	35-380094	MOTOR ASSY-LANDING GEAR RETRACT ALTERNATE SPARE: 35-380094-3	FE	1
1	AN505-4-48	.SCREW	FE	2
2	AN935-8L	.WASHER	FE	2
3	AN960-8L	.WASHER	FE	2
4	8-32 X 1/4	.SCREW-SET	FE	2
5	27-2-3006	.CAP-BRUSH	FE	2
6	27-4-3002	.BRUSH & SPRING ASSY	FE	2
7	27-4-3001	.SLEEVE	FE	2
8	27-2-3002-1	.HOLDER	FE	2
9	27-4-6003-2	.END BELL-REAR	FE	1
10	F0728-006	.WASHER-SPRING	FE	1
11	27-4-1006	.BEARING	FE	1
12	27-4-5001	.HOUSING-FIELD	FE	1
13	27-4-5003	.FIELD STACK ASSY ATTACHING PARTS	FE	2
14	AN505C6-5	.SCREW -----*-----	FE	4
15	27-4-5002	.FIELD COIL ASSY	FE	1
16	27-4-2000	.ARMATURE ASSY	FE	1
17	27-4-1005	.BEARING	FE	1
18	MS35489-62	.GROMMET	FE	2
19	27-4-1004	.INSULATOR-BRUSH TERMINAL	FE	2
20	M471	.BEARING	FE	1
21	27-4-4003-2	.END BELL-FRONT	FE	1
FE		CE0607-CE0747,CE0749-CE0771, CJ0105-CJ0148		

- ITEM NOT ILLUSTRATED

32-33-03

Hawker Beechcraft Corporation

F33/G33/F33A/F33C ILLUSTRATED PARTS CATALOG

FIG ITEM	PART NUMBER	NOMENCLATURE 1 2 3 4 5 6 7	USABLE ON CODE	UNITS PER ASSY
05		LANDING GEAR RETRACT MOTOR - 28 VOLT	FE	
	96-380022-5	MOTOR ASSY-LANDING GEAR RETRACT FOR SPARES ORDER: 58-380090-1	FE	1
	58-380090-1	MOTOR ASSY-LANDING GEAR RETRACT SPARES REPLACEMENT FOR: 96-380022-5	FE	1
		ATTACHING PARTS		
1	AN505-8-48	SCREW	FE	2
2	AN935-8L	WASHER-LOCK	FE	2
3	AN960-8L	WASHER	FE	2
		-----*-----		
4	8-32 X 1/4	.SCREW-SET	FE	2
5	27-2-3006	.CAP-BRUSH	FE	2
6	27-8-3002	.BRUSH & SPRING ASSY	FE	2
7	27-4-3001	.SLEEVE	FE	2
8	27-2-3002-1	.HOLDER	FE	2
9	27-4-6003-2	.END BELL-REAR	FE	1
10	F0728-006	.WASHER-SPRING	FE	1
11	27-4-1006	.BEARING	FE	1
12	27-4-5001	.HOUSING-FIELD	FE	1
13	27-4-5003	.FIELD STACK ASSY	FE	2
		ATTACHING PARTS		
14	AN505C6-5	.SCREW	FE	4
		-----*-----		
15	27-8-5002	.FIELD COIL ASSY	FE	1
16	27-4-2000	.ARMATURE ASSY	FE	1
17	27-4-1005	.BEARING	FE	1
18	MS35489-62	.GROMMET	FE	2
19	27-4-1004	.INSULATOR-BRUSH TERMINAL	FE	2
20	M471	.BEARING	FE	1
21	27-4-4003-2	.END BELL-FRONT	FE	1
FE		CE0748,CE0772-CE9999, CJ0149-CJ9999		

- ITEM NOT ILLUSTRATED

32-33-05

Hawker Beechcraft Corporation

F33/G33/F33A/F33C ILLUSTRATED PARTS CATALOG

FIG ITEM	PART NUMBER	NOMENCLATURE 1 2 3 4 5 6 7	USABLE ON CODE	UNITS PER ASSY
01		MAIN GEAR WHEEL	FE	
	35-8002-3	WHEEL ASSY-MAIN LANDING GEAR	FE	2
1	95-24218	.SEAL-BEARING	FE	2
2	13889	.BEARING-CONE	FE	2
3	95-6867	.NUT	FE	4
4	95-6974	.WASHER	FE	4
5	95-8249	.BOLT-WHEEL	FE	4
6	95-6926	.WASHER-COUNTERSUNK	FE	4
7	35-8002-9	.WHEEL SUBASSY-OUTBD HALF	FE	1
8	13830	..CUP-BEARING	FE	1
9	95-35523	..PLATE-OUTBD WHEEL HALF DATA	FE	1
10	95-300001-31	..PLATE-WARNING DATA	FE	1
11	95-35576	..PLATE-BEECHCRAFT DATA	FE	1
12	35-8002-7	.WHEEL SUBASSY-INBD HALF	FE	1
13	95-7649	..RIVET	FE	12
14	95-43686	..LINER-KEYWAY	FE	6
15	13830	..CUP-BEARING	FE	1
16	95-35522	..PLATE-INBD WHEEL HALF DATA	FE	1
17	95-300001-31	..PLATE-WARNING DATA	FE	1
FE		CD1235-CD1271,CE0290-CE0300, CJ0026-CJ0030		

- ITEM NOT ILLUSTRATED

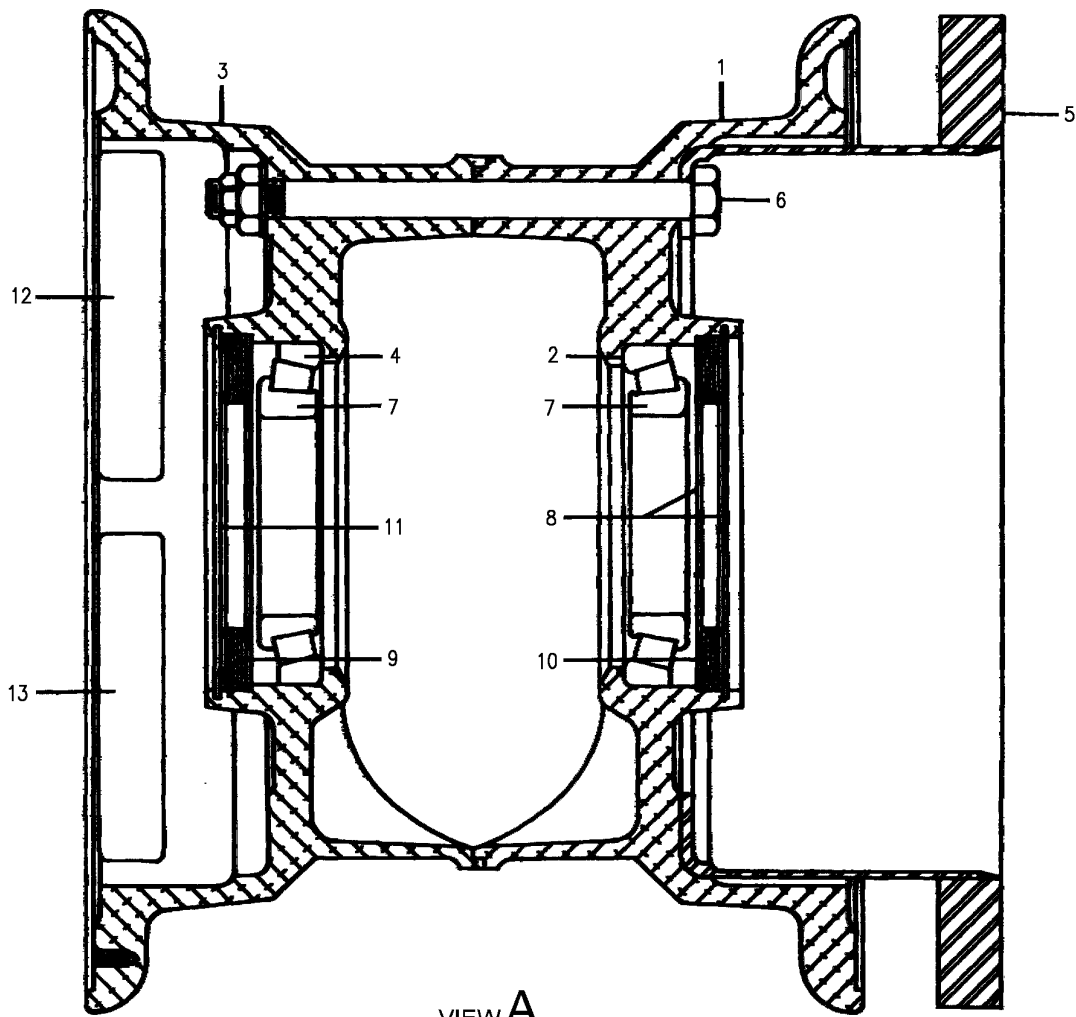
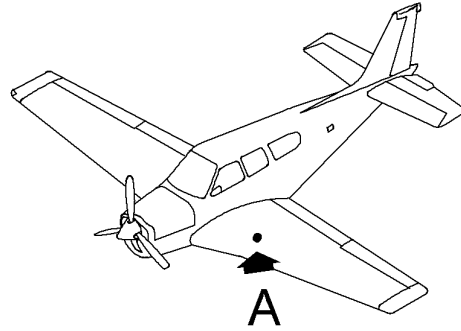
32-40-01

PAGE 1
JUL 01/12

BONANZA

Hawker Beechcraft Corporation

F33/G33/F33A/F33C ILLUSTRATED PARTS CATALOG



VIEW A

MAIN GEAR WHEEL

F33A-324003-01-AA

32-40-03

PAGE 0
JUL 01/12

Hawker Beechcraft Corporation

F33/G33/F33A/F33C ILLUSTRATED PARTS CATALOG

FIG ITEM	PART NUMBER	NOMENCLATURE 1 2 3 4 5 6 7	USABLE ON CODE	UNITS PER ASSY
03	36-8001-3	MAIN GEAR WHEEL WHEEL ASSY-MAIN WHEN REPLACING 36-8001-3 WHEEL & 36-8001-9 BRAKE AS A SET, REPLACE WITH 36-8001-25 WHEEL & 36-8001-29 BRAKE	FE B	2
	36-8001-25	WHEEL ASSY-MAIN	C	2
	36-8001-5	.WHEEL HALF ASSY-INNER	FE	1
1	151-26	..WHEEL HALF-INNER	FE	1
2	13836	..BEARING-CUP	FE	1
	36-8001-7	.WHEEL HALF ASSY-OUTER	FE	1
3	152-24	..WHEEL HALF-OUTER	FE	1
4	13836	..BEARING-CUP	FE	1
5	36-8001-21	.DISC ASSY-BRAKE	B	1
	36-8001-27	.DISC ASSY-BRAKE ATTACHING PARTS	C	1
6	AN3-35A/M/ AN960-516 MS20365-524	.BOLT .WASHER .NUT -----*-----	FE FE FE	3 3 3
7	13889	.BEARING-CONE	FE	2
8	153-9	.RING-GREASE SEAL	FE	4
9	154-16	.FELT-GREASE SEAL	FE	1
10	154-8	.FELT-GREASE SEAL	FE	1
11	3023	.RING-SNAP	FE	2
12	166-14	.NAMEPLATE	FE	1
13	166-24	.NAMEPLATE	FE	1
FE		CD1272-CD1304,CE0301-CE9999, CJ0031-CJ9999		
B		CD1272-CD1304,CE0301-CE0634, CJ0031-CJ0124		
C		CE0635-CE9999,CJ0125-CJ9999		

- ITEM NOT ILLUSTRATED

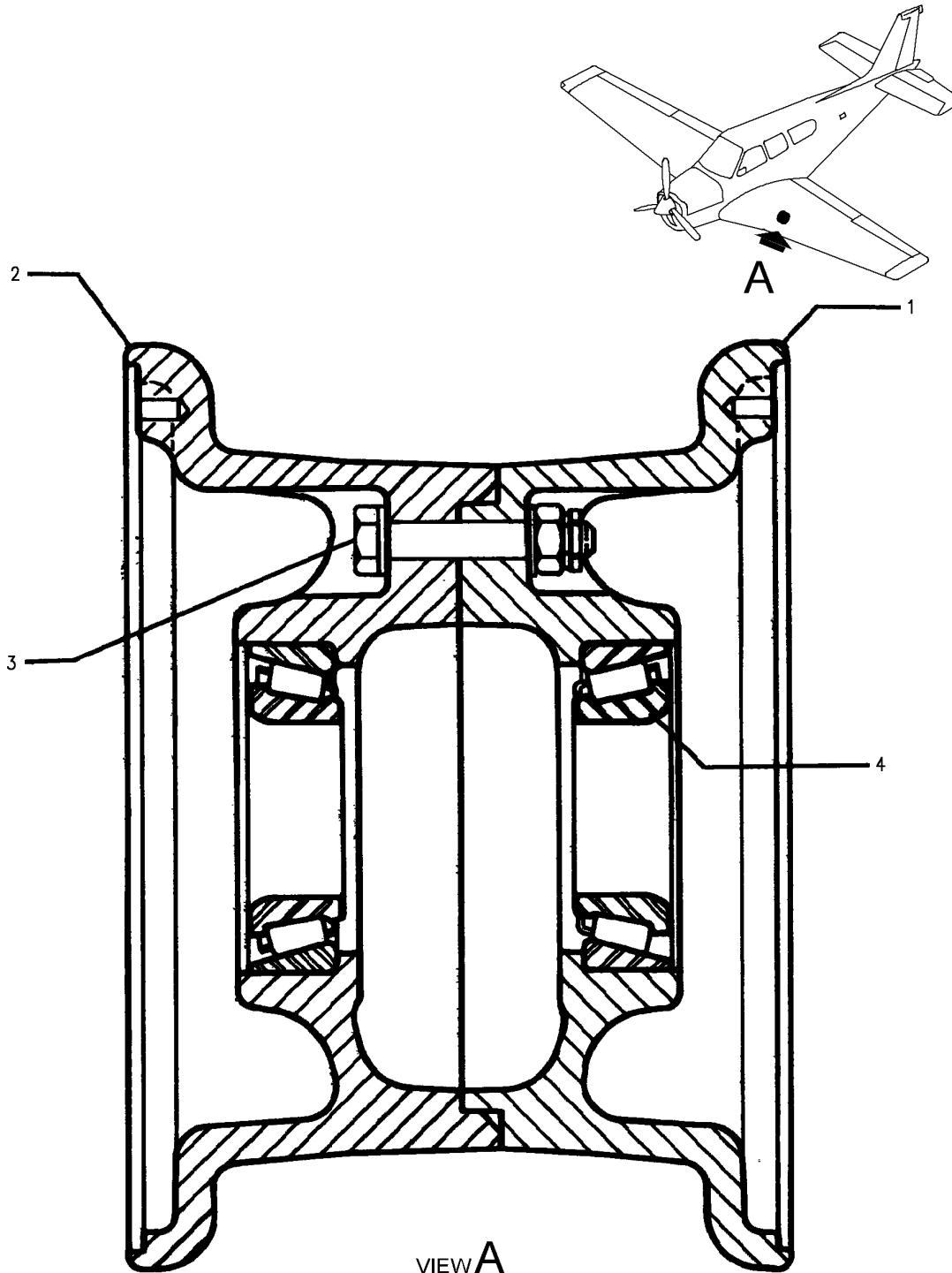
32-40-03

PAGE 1
JUL 01/12

BONANZA

Hawker Beechcraft Corporation

F33/G33/F33A/F33C ILLUSTRATED PARTS CATALOG



F33A-324101-01-AA

VIEW A

NOSE GEAR WHEEL

32-41-01
PAGE 0
JUL 01/12

Hawker Beechcraft Corporation

F33/G33/F33A/F33C ILLUSTRATED PARTS CATALOG

FIG ITEM	PART NUMBER	NOMENCLATURE 1 2 3 4 5 6 7	USABLE ON CODE	UNITS PER ASSY
01	35-825196-17	NOSE GEAR WHEEL WHEEL ASSY-NOSE TUBE TYPE ORDER KIT 35-8003-1	FE FE	1
1	9532926	.WHEEL ASSY-NOSE	FE	1
2	9541899	..WHEEL HALF ASSY-LH	FE	1
2	9541898	..WHEEL HALF ASSY-RH	FE	1
3	AN4-14A/M/ AN960-416 22FH428	ATTACHING PARTS ..BOLT ..WASHER ..NUT	FE FE FE	3 3 3
4	LM67048XL 5 00 X 5 4P TT 5 00 X 5	-----*----- ..CONE-NOSE WHEEL BEARING .TIRE-FOUR PLY, TUBE TYPE .TUBE-TIRE	FE FE FE	2 1 1
FE		CD1235-CD1257,CE0290-CE0300, CJ0026-CJ0030		

- ITEM NOT ILLUSTRATED

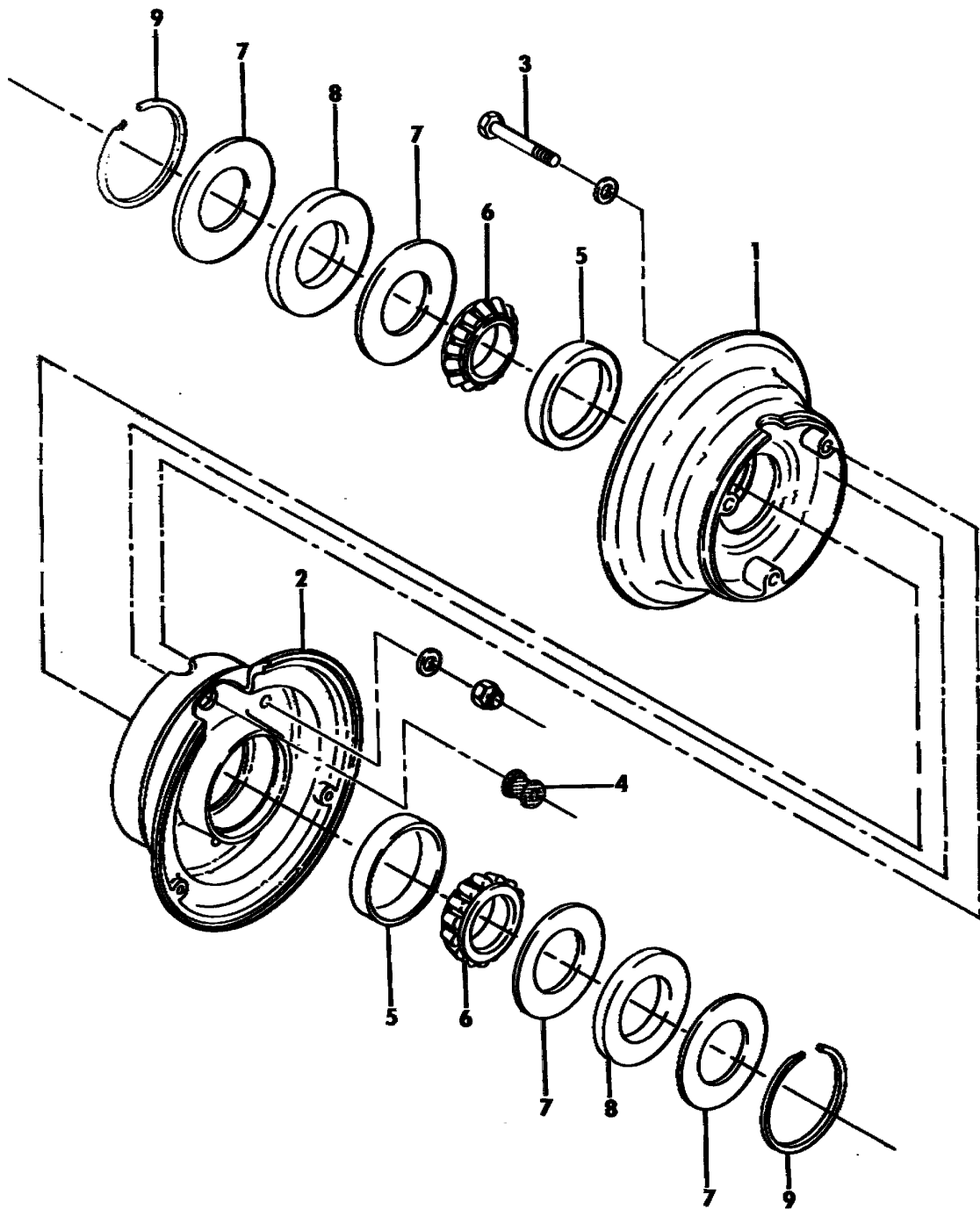
32-41-01

PAGE 1
JUL 01/12

BONANZA

Hawker Beechcraft Corporation

F33/G33/F33A/F33C ILLUSTRATED PARTS CATALOG



F33A-324103-01-AA

NOSE GEAR WHEEL

Hawker Beechcraft Corporation

F33/G33/F33A/F33C ILLUSTRATED PARTS CATALOG

FIG ITEM	PART NUMBER	NOMENCLATURE 1 2 3 4 5 6 7	USABLE ON CODE	UNITS PER ASSY
03	35-825196-33	NOSE GEAR WHEEL WHEEL ASSY-NOSE ORDER KIT 35-8003-1	FE A	1
	35-825196-33	WHEEL ASSY-NOSE ORDER KIT 35-8003-1	A	1
03	35-825196-37	WHEEL ASSY-NOSE ORDER KIT 35-8008-1	B	1
	35-825196-37	WHEEL ASSY-NOSE ORDER KIT 35-8008-1	B	1
03	36-820019-7	WHEEL ASSY-NOSE	C	1
	36-820019-7	WHEEL ASSY-NOSE	C	1
03	36-8002-1	.WHEEL ASSY-NOSE	A	1
	36-8002-1	.WHEEL ASSY-NOSE	A	1
03	40-77D	.WHEEL ASSY-NOSE	B	1
	40-77D	.WHEEL ASSY-NOSE	B	1
03	40-77E	.WHEEL ASSY-NOSE	C	1
	40-77E	.WHEEL ASSY-NOSE	C	1
1	36-8002-3	..WHEEL HALF ASSY-INNER	A	1
1	36-8002-3	..WHEEL HALF ASSY-INNER	A	1
1	161-07701	..WHEEL HALF-SUB ASSY INNER	D	1
	161-07701	..WHEEL HALF-SUB ASSY INNER	D	1
2	36-8002-5	..WHEEL HALF ASSY-OUTER	A	1
2	36-8002-5	..WHEEL HALF ASSY-OUTER	A	1
2	163-07201	..WHEEL HALF-SUB ASSY OUTER	D	1
	163-07201	..WHEEL HALF-SUB ASSY OUTER	D	1
ATTACHING PARTS				
3	AN4-22A/M/	..BOLT	A	3
3	AN4-22A/M/	..BOLT	A	3
3	AN4-22A	..BOLT	B	3
	AN4-22A	..BOLT	B	3
3	103-10500	..BOLT	C	3
	103-10500	..BOLT	C	3
3	AN960-416	..WASHER	E	6
	AN960-416	..WASHER	E	6
3	095-10400	..WASHER	C	6
	095-10400	..WASHER	C	6
3	MS20365-1032	..NUT	A	3
	MS20365-1032	..NUT	A	3
3	AN365-428	..NUT	B	3
	AN365-428	..NUT	B	3
3	094-10300	..NUT	C	3
	094-10300	..NUT	C	3
-----*-----				
4	151-07401	...WHEEL-HALF, INNER	D	1
	151-07401	...WHEEL-HALF, INNER	D	1
4	152-07301	...WHEEL HALF-OUTER	D	1
	152-07301	...WHEEL HALF-OUTER	D	1
4	217-1	...GROMMET	A	1
4	217-1	...GROMMET	A	1
4	217-00100	...GROMMET- OUTER WHEEL ONLY	D	1

- ITEM NOT ILLUSTRATED

32-41-03

Hawker Beechcraft Corporation

F33/G33/F33A/F33C ILLUSTRATED PARTS CATALOG

FIG ITEM	PART NUMBER	NOMENCLATURE 1 2 3 4 5 6 7	USABLE ON CODE	UNITS PER ASSY
03	217-00100	...GROMMET- OUTER WHEEL ONLY	D	1
5	08231	...BEARING-CUP	A	1
5	08231	...BEARING-CUP	A	1
	214-03200	...BEARING-CUP	D	1
	214-03200	...BEARING-CUP	D	1
6	08125	..CONE-NOSE WHEEL BEARING	A	2
6	08125	..CONE-NOSE WHEEL BEARING	A	2
	214-03300	..BEARING-CUP	D	2
	214-03300	..BEARING-CUP	D	2
7	153-1	..RING-GREASE SEAL	A	4
7	153-1	..RING-GREASE SEAL	A	4
8	154-1	..FELT-GREASE SEAL	A	2
8	154-1	..FELT-GREASE SEAL	A	2
	154-02900	..SEAL-GREASE	B	2
	154-02900	..SEAL-GREASE	B	2
	154-03200	..SEAL-GREASE	C	2
	154-03200	..SEAL-GREASE	C	2
9	155-2	..RING-SNAP	A	2
9	155-2	..RING-SNAP	A	2
	155-00200	..RING-SNAP	C	2
	155-00200	..RING-SNAP	C	2
	166-01200	..NAMEPLATE	C	1
	166-01200	..NAMEPLATE	C	1
	166-01400	..NAMEPLATE	C	1
	166-01400	..NAMEPLATE	C	1
	5 00 X 5 4P TT	.TIRE-FOUR PLY TUBE TYPE	A	1
	5 00 X 5	.TUBE-TIRE	F	1
	5 00 X 5 4P	.TIRE AND TUBE-4 PLY BALANCED	B	2
	5.00 X 5 4P TT	.TIRE-FOUR PLY TUBE TYPE ALTERNATE SPARE: 024-308-0 070-308-0	C	1
	024-308-0	.TIRE-FOUR PLY 5.00 4 PR TT/TL 120 MPH ALTERNATE SPARE: 5.00 X 5 4P TT 070-308-0	C	1
	070-308-0	.TIRE-FOUR PLY 5.00 4 PR TT/TL 120 MPH ALTERNATE SPARE: 5.00 X 5 4P TT 024-308-0	C	1
A		CD1258-CD1304,CE0301-CE0901, CJ0031-CJ0155		
B		CE0902-CE9444 (CONTINUED NEXT PAGE)		

- ITEM NOT ILLUSTRATED

32-41-03

PAGE 2
JUL 01/12

Hawker Beechcraft Corporation

F33/G33/F33A/F33C ILLUSTRATED PARTS CATALOG

FIG ITEM	PART NUMBER	NOMENCLATURE 1 2 3 4 5 6 7	USABLE ON CODE	UNITS PER ASSY
03 C D E F FE		(CONTINUED) CE0945-CE9999,CJ0156-CJ9999 CE0902-CE9999,CJ0156-CJ9999 CD1258-CD1304,CE0301-CE0944, CJ0031-CJ0155 CD1258-CD1304,CE0301-CE0901, CE0945-CE9999,CJ0031-CJ9999 CD1258-CD1304,CE0301-CE9999, CJ0031-CJ9999		

- ITEM NOT ILLUSTRATED

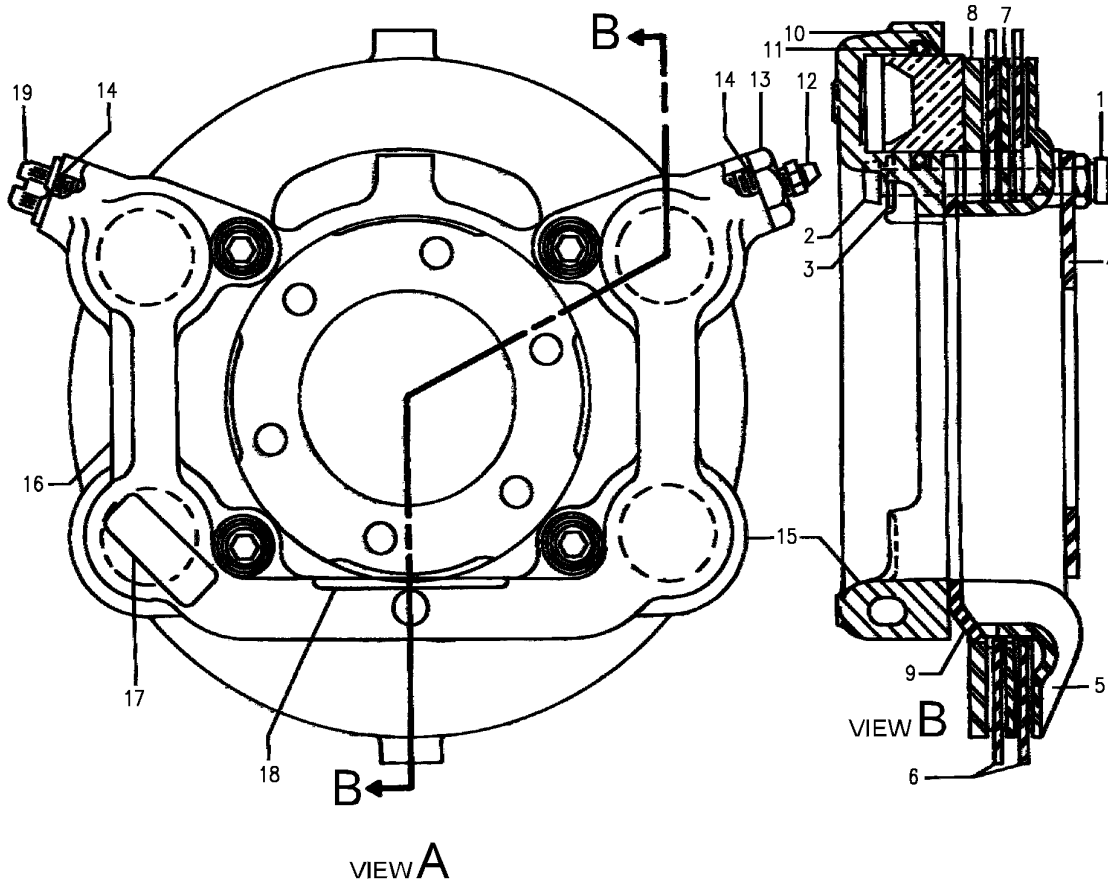
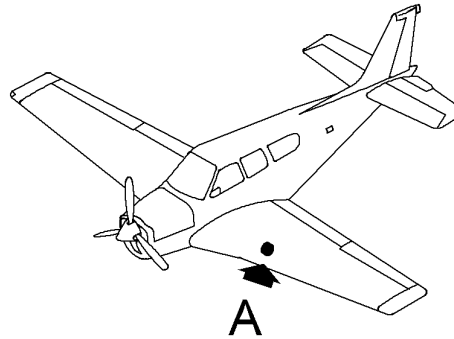
32-41-03

PAGE 3
JUL 01/12

BONANZA

Hawker Beechcraft Corporation

F33/G33/F33A/F33C ILLUSTRATED PARTS CATALOG



F33A-324201-01-AA

BRAKES

Hawker Beechcraft Corporation

F33/G33/F33A/F33C ILLUSTRATED PARTS CATALOG

FIG ITEM	PART NUMBER	NOMENCLATURE 1 2 3 4 5 6 7	USABLE ON CODE	UNITS PER ASSY
01		BRAKES	FE	
	35-8002-25	BRAKE ASSY	FE	2
1	95-6867	.NUT	FE	4
2	95-9491	.BOLT	FE	4
3	6926	.WASHER	FE	4
4	95-35451	.FLANGE-TORQUE	FE	1
5	35-8002-13	.PLATE-BACK	FE	1
6	35-8002-21	.DISC-ROTATING	FE	2
7	35-8002-23	.DISC-STATIONARY	FE	1
8	35-8002-19	.PLATE-PRESSURE	FE	1
9	95-35454	.PLATE-TORQUE	FE	1
10	95-35452	.PISTON	FE	4
11	95-4719	.PACKING	FE	4
12	95-9279	.SCREW-BLEEDER	FE	1
13	95-3218	.ADAPTER-BLEEDER VALVE	FE	1
14	95-5761	.PACKING	FE	2
15	35-8002-11	.HOUSING-BRAKE	FE	1
16	95-35577	.PLATE-BEECHCRAFT DATA	FE	1
17	95-35625	.PLATE-TORQUE DATA	FE	1
18	95-300001-64	.PLATE-SERIAL DATA	FE	1
19	95-1989	.PLUG-STORAGE & SHIPPING	FE	1
FE		CD1235-CD1271, CE0290-CE0300, CJ0026-CJ0030		

- ITEM NOT ILLUSTRATED

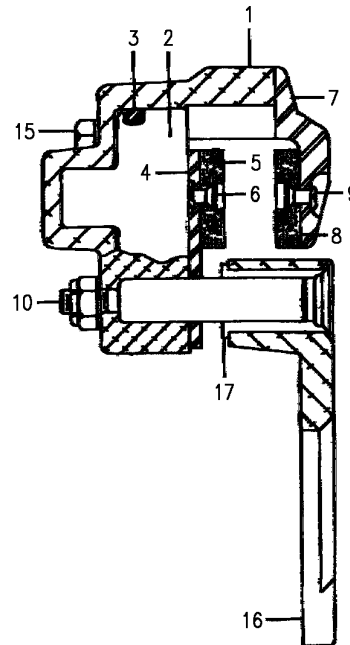
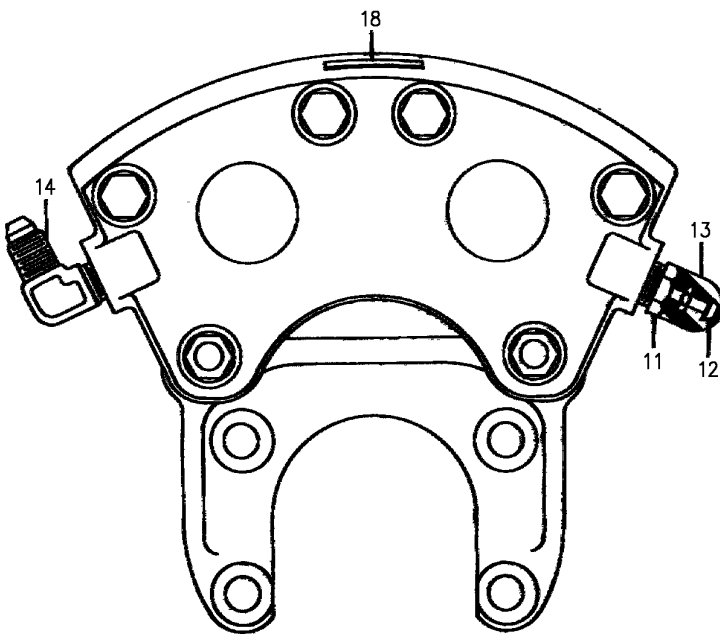
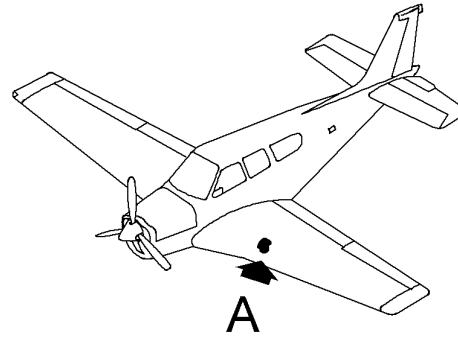
32-42-01

PAGE 1
JUL 01/12

BONANZA

Hawker Beechcraft Corporation

F33/G33/F33A/F33C ILLUSTRATED PARTS CATALOG



VIEW A

F33A-324203-01-AA

BRAKES

32-42-03
PAGE 0
JUL 01/12

Hawker Beechcraft Corporation

F33/G33/F33A/F33C ILLUSTRATED PARTS CATALOG

FIG ITEM	PART NUMBER	NOMENCLATURE 1 2 3 4 5 6 7	USABLE ON CODE	UNITS PER ASSY
03	36-8001-9	BRAKES BRAKE ASSY- FOR SPARES ORDER: 36-8001-29 WHEN REPLACING 36-8001-9 BRAKE & 36-8001-3 WHEEL AS A SET, REPLACE WITH 36-8001-29 BRAKE & 36-8001-25 WHEEL	FE A	2
	36-8001-29	BRAKE ASSY- FOR SPARES ORDER: 36-8001-41	D	2
	36-8001-41	BRAKE ASSY- SPARES REPLACEMENT FOR: 36-8001-29	E	2
	36-8001-11	.CYLINDER ASSY	FE	1
1	61-24	..CYLINDER	FE	1
	36-8001-13	..PISTON ASSY	FE	2
2	62-15	...PISTON	FE	2
3	AN6227B27	...PACKING	FE	2
	36-8001-15	..PLATE ASSY-PRESSURE FOR SPARES ORDER: 36-8001-45	F	1
	36-8001-45	..PLATE ASSY-PRESSURE SPARES REPLACEMENT FOR: 36-8001-15	E	1
4	63-11	...PLATE-PRESSURE	FE	1
5	36-8001-23	...LINING- FOR SPARES ORDER: 36-8001-43	F	2
	36-8001-43	...LINING- SPARES REPLACEMENT FOR: 36-8001-23	E	2
6	561	...RIVET	FE	4
	36-8001-35	..PLATE ASSY-BACK FOR SPARES ORDER: 36-8001-47	F	2
	36-8001-47	..PLATE ASSY-BACK SPARES REPLACEMENT FOR: 36-8001-35	E	2
7	64-15A	...PLATE-BACK	FE	1
8	36-8001-23	...LINING- FOR SPARES ORDER: 36-8001-43	F	1
	36-8001-43	...LINING- SPARES REPLACEMENT FOR: 36-8001-23	E	1
9	561	...RIVET	FE	2
10	69-4	..BOLT-ANCHOR	FE	2
	MS20365-428	..NUT	FE	2
	AN960-416L	..WASHER	FE	6
11	37-206	..SEAT-BLEEDER	FE	1
12	95-9279	..SCREW-BLEEDER	FE	1

- ITEM NOT ILLUSTRATED

32-42-03

PAGE 1
JUL 01/12

BONANZA

Hawker Beechcraft Corporation

F33/G33/F33A/F33C ILLUSTRATED PARTS CATALOG

FIG ITEM	PART NUMBER	NOMENCLATURE 1 2 3 4 5 6 7	USABLE ON CODE	UNITS PER ASSY
03				
13	183-1	..CAP-BLEEDER	FE	1
14	AN823-4D	..FITTING-TUBE	FE	4
15	LP4-21A/M/ 36-8001-19 36-8001-31	..BOLT .PLATE ASSY-TORQUE .PLATE ASSY-TORQUE	FE A B	4 1 1
16	65-27 065-02701	..PLATE-TORQUE ..PLATE-TORQUE	A B	1 1
17	145-18	..BUSHING	FE	2
18	166-15 36-8001-21 36-8001-27	..NAMEPLATE DISC ASSY-BRAKE DISC ASSY-BRAKE	FE A B	1 2 2
A		CD1272-CD1304,CE0301-CE0634, CJ0031-CJ0124		
B		CE0635-CE9999,CJ0125-CJ9999		
FE		CD1272-CD1304,CE0301-CE9999, CJ0031-CJ9999		
D		CE0635-CE1071,CJ0125-CJ0155		
E		CE1072-CE9999,CJ0156-CJ9999		
F		CD1272-CD1304,CE0301-CE1071, CJ0031-CJ0155		

- ITEM NOT ILLUSTRATED

32-42-03

PAGE 2
JUL 01/12

BONANZA

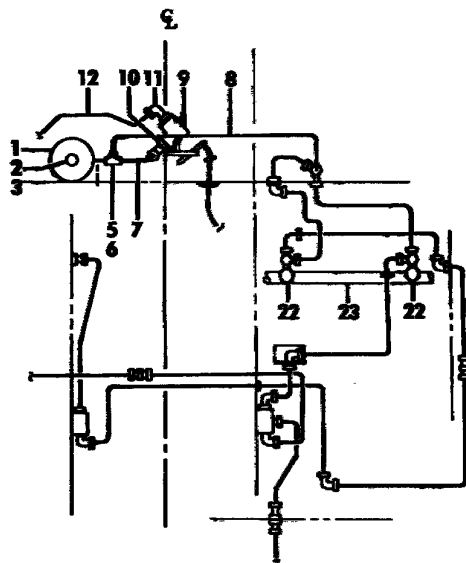
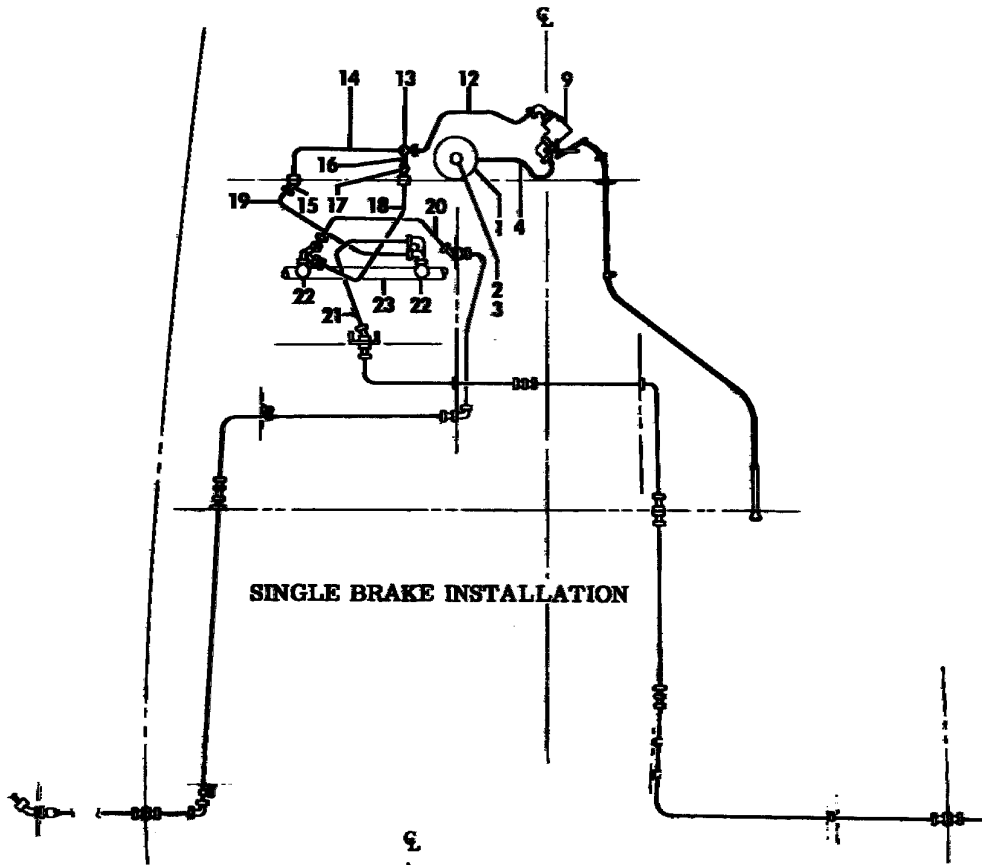
Hawker Beechcraft Corporation

F33/G33/F33A/F33C ILLUSTRATED PARTS CATALOG

PAGE INTENTIONALLY LEFT BLANK

Hawker Beechcraft Corporation

F33/G33/F33A/F33C ILLUSTRATED PARTS CATALOG



DUAL BRAKE INSTALLATION

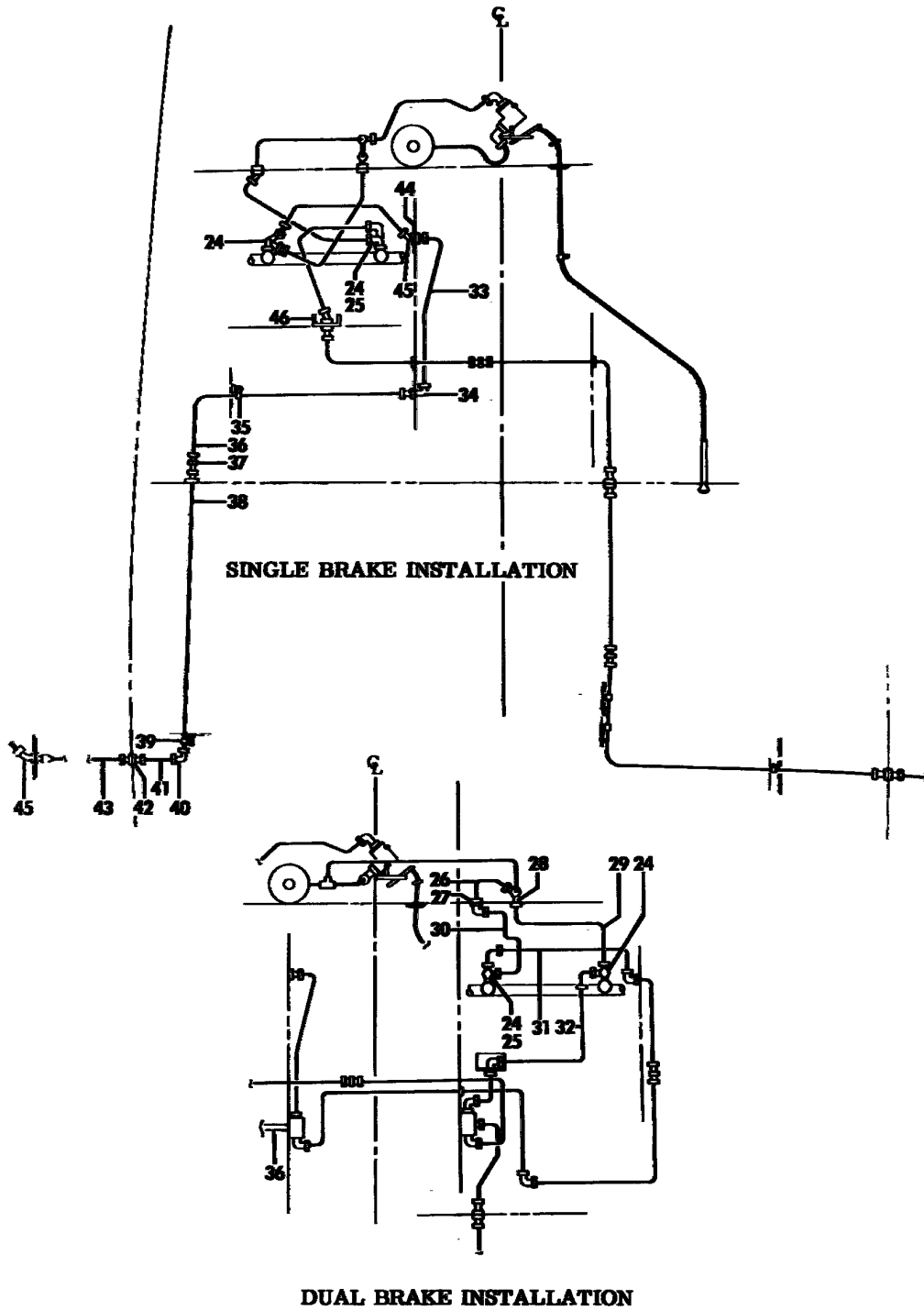
BRAKE PLUMBING
SHEET 1 OF 4

32-43-01
PAGE 0
JUL 01/12

F33A-324301-01-AA

Hawker Beechcraft Corporation

F33/G33/F33A/F33C ILLUSTRATED PARTS CATALOG



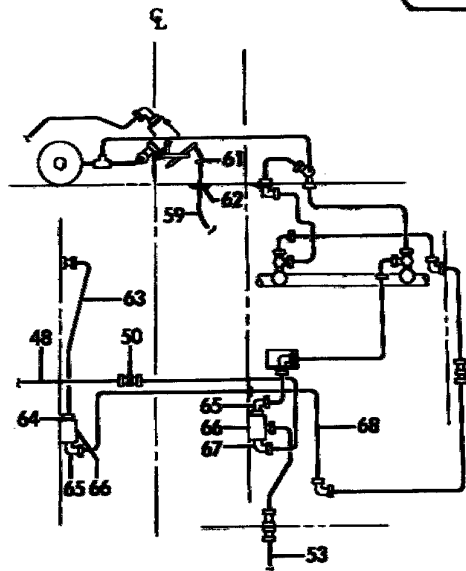
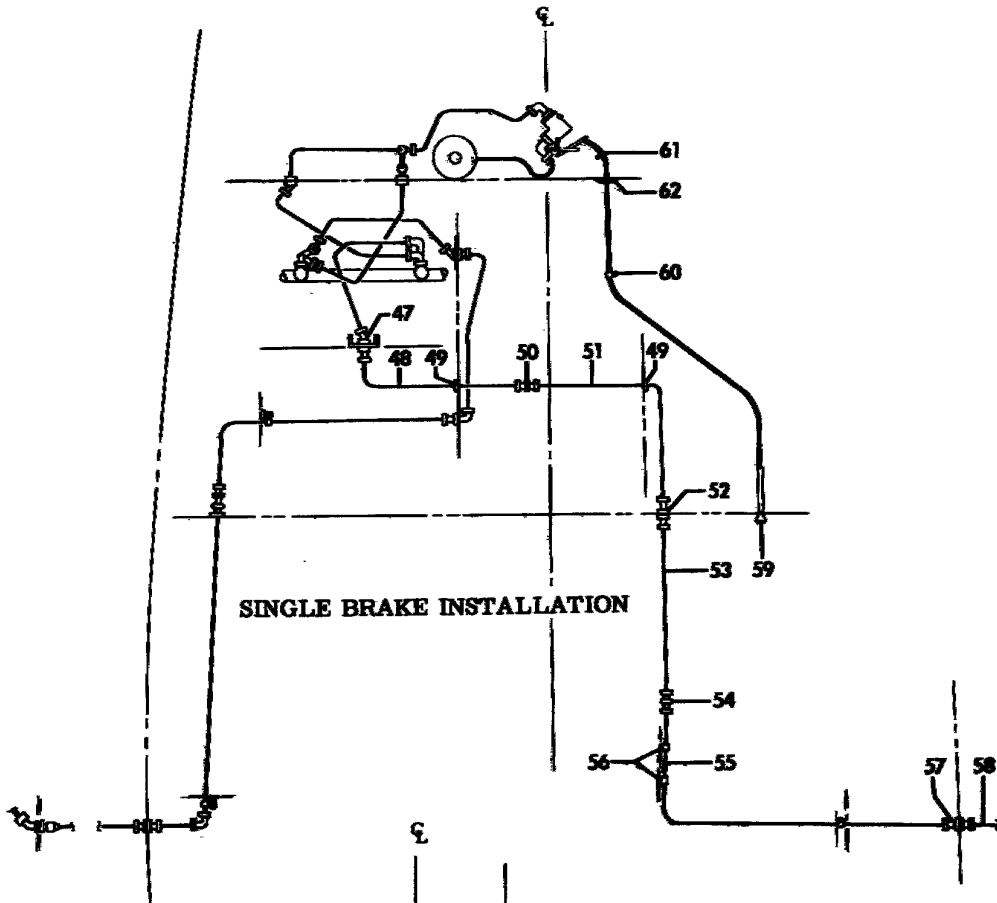
F33A-324301-02-AA

BRAKE PLUMBING
SHEET 2 OF 4

32-43-01
PAGE 0A
JUL 01/12

Hawker Beechcraft Corporation

F33/G33/F33A/F33C ILLUSTRATED PARTS CATALOG



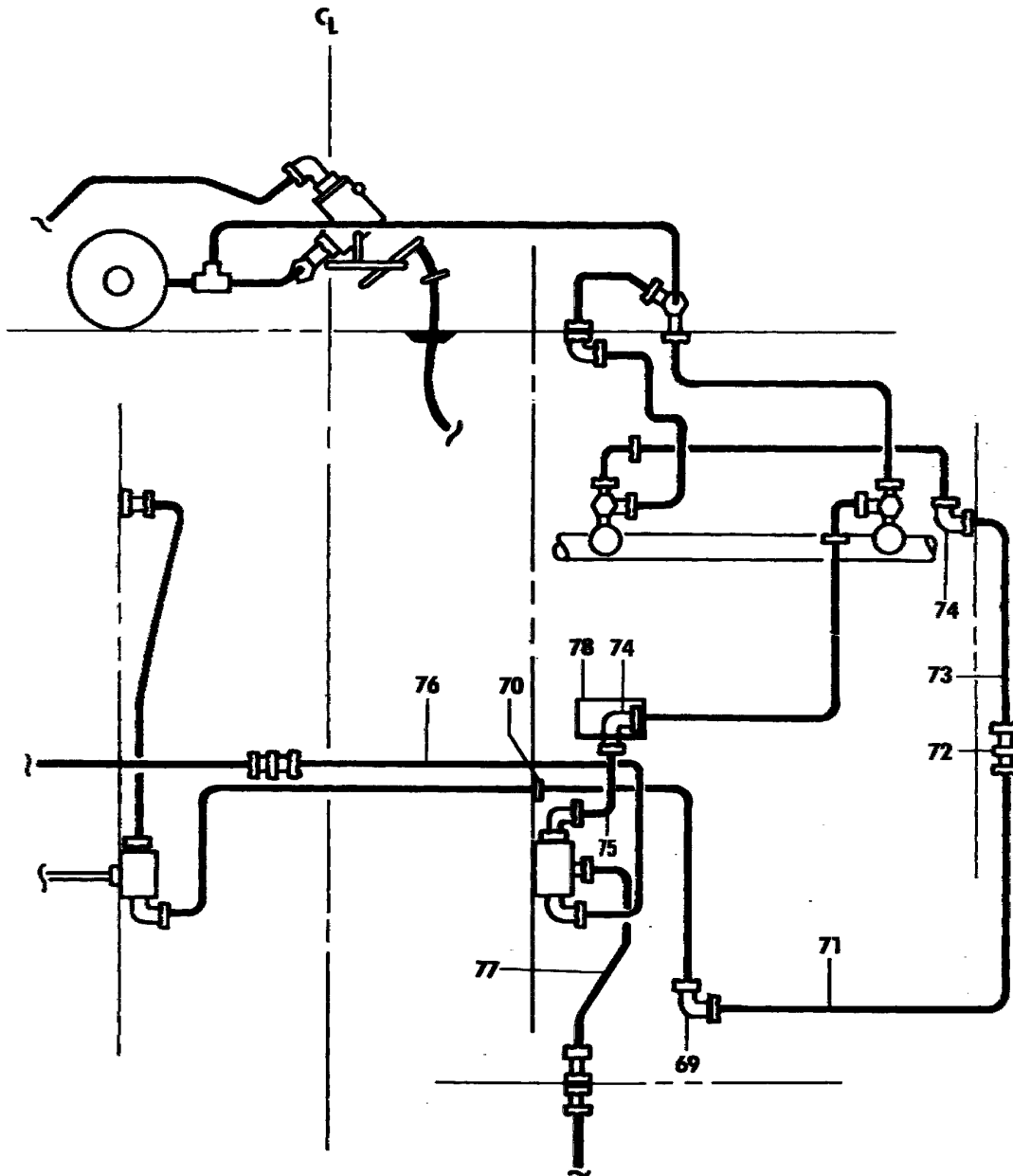
DUAL BRAKE INSTALLATION

BRAKE PLUMBING
SHEET 3 OF 4

F33A-324301-03-AA

Hawker Beechcraft Corporation

F33/G33/F33A/F33C ILLUSTRATED PARTS CATALOG



DUAL BRAKE INSTALLATION

F33A-324301-04-AA

BRAKE PLUMBING
SHEET 4 OF 4

32-43-01
PAGE 0C
JUL 01/12

Hawker Beechcraft Corporation

F33/G33/F33A/F33C ILLUSTRATED PARTS CATALOG

PAGE INTENTIONALLY LEFT BLANK

Hawker Beechcraft Corporation

F33/G33/F33A/F33C ILLUSTRATED PARTS CATALOG

FIG ITEM	PART NUMBER	NOMENCLATURE 1 2 3 4 5 6 7	USABLE ON CODE	UNITS PER ASSY
01	35-580000-41	BRAKE PLUMBING PLUMBING INSTL-SINGLE HYDRAULIC BRAKES	FE B	RF
	35-580000-71	PLUMBING INSTL-SINGLE HYDRAULIC BRAKES	C	RF
	35-580001-51	PLUMBING INSTL-DUAL HYDRAULIC BRAKES	FE	RF
	33-580011	.RESERVOIR ASSY-HYDRAULIC BRAKE FLUID	C	1
	33-580012	..CHECK VALVE	C	1
	35-815180-8	..CAP ASSY-HYDRAULIC BRAKE FLUID ATTACHING PARTS	FE	1
	AN520-10-10	..SCREW	FE	1
	AN960-10	..WASHER	FE	1
	MS20365-1032	..NUT	FE	1
		-----*-----		
1	112136-12	...CAN-HYDRAULIC FLUID	FE	1
	35-815180-10	...CAP ASSY-RESERVOIR FOR SPARES ORDER: 35-815180-8	FE	1
	35-815180-8	...CAP ASSY-RESERVOIR SPARES REPLACEMENT FOR: 35-815180-10	FE	1
2	35-815180-12CAP-RESERVOIR	FE	1
3	AN526-632-40SCREW	FE	1
	AN960-6WASHER	FE	1
	35-815180-6SPACER	FE	1
	100951DD032VAWASHER	FE	1
	MS20365-632NUT	FE	1
4	35-580000-51	.TUBE ASSY-SINGLE BRAKE	FE	1
5	35-580001-65	.TUBE ASSY-DUAL BRAKES	FE	1
6	MS24402D4	.TEE	FE	1
7	35-580001-53	.TUBE ASSY-DUAL BRAKES	FE	1
8	35-580001-55	.TUBE ASSY-DUAL BRAKES	FE	1
9	35-380065-1	.VALVE ASSY-PARKING BRAKE SEE 32-46-01 ATTACHING PARTS	FE	1
	AN3-13A/M/	.BOLT	FE	2
	AN960-10	.WASHER	FE	2
	MS20365-1032	.NUT	FE	2
		-----*-----		
10	AN816-4D	.ADAPTOR	FE	1
11	AN822-4D	.ELBOW	FE	1
12	35-580000-31	.TUBE ASSY	FE	1
	MS21919DG4	.CLAMP-TUBE SUPPORT	FE	1
	100696D-ZF020	.SPACER-CLAMP	FE	1
	AN515-8R20	.SCREW-CLAMP	FE	1
	130008A1032BC	.NUTPLATE	FE	1
13	AN824-4D	.TEE	FE	1
14	35-580000-27	.TUBE ASSY	FE	1
15	AN837-4D	.ELBOW	FE	1
	AN960-716L	.WASHER-ELBOW	FE	1

- ITEM NOT ILLUSTRATED

32-43-01

PAGE 1
JUL 01/12

BONANZA

Hawker Beechcraft Corporation

F33/G33/F33A/F33C ILLUSTRATED PARTS CATALOG

FIG ITEM	PART NUMBER	NOMENCLATURE 1 2 3 4 5 6 7	USABLE ON CODE	UNITS
				PER ASSY
01				
	AN924-4D	.NUT-ELBOW	FE	1
16	35-580000-39	.TUBE ASSY	FE	1
17	AN837-4D	.ELBOW	FE	1
	AN960-716L	.WASHER-ELBOW	FE	1
	AN924-4D	.NUT-ELBOW	FE	1
18	35-580010-5	.HOSE ASSY-PILOT LH PEDAL	FE	1
19	35-580010-7	.HOSE ASSY-PILOT RH PEDAL	FE	1
20	35-580010-9	.HOSE ASSY-PILOT LH PEDAL	FE	1
21	35-580010-3	.HOSE ASSY-PILOT RH PEDAL	FE	1
22	96-380034-3	.CYLINDER-MASTER SEE 32-44-01 FOR SPARES ORDER: 96-380034-25	FE	4
22	96-380034-25	.CYLINDER-MASTER SEE 32-44-01 SPARES REPLACEMENT FOR: 96-380034-3 ATTACHING PARTS	FE	4
	AN3-10/M/	.BOLT	FE	2
	AN960-10	.WASHER	FE	2
	130909N6	.NUT	FE	2
	MS24665-132	.PIN-COTTER -----*-----	FE	2
23	35-400359-12	.SUPPORT ASSY-MASTER CYLINDER DUAL BRAKES	FE	1
	35-815006-24	.COVER-MASTER CYLINDER	FE	4
24	MS20822-4D	.ELBOW-MASTER CYLINDER	FE	6
25	AN816-4D	.ADAPTOR-MASTER CYLINDER	FE	2
26	35-580001-11	.TUBE ASSY-DUAL BRAKES	FE	1
27	AN833-4D	.ELBOW	FE	1
	AN960-716L	.WASHER-ELBOW & TEE	FE	2
	AN924-4D	.NUT-ELBOW & TEE	FE	2
28	AN804D4	.TEE	FE	1
29	35-580010-13	.HOSE ASSY-COPILOT RH PEDAL	FE	1
30	35-580010-15	.HOSE ASSY-COPILOT LH PEDAL	FE	1
31	35-580010-11	.HOSE ASSY-COPILOT LH PEDAL	FE	1
32	35-580010-1	.HOSE ASSY-COPILOT RH PEDAL	FE	1
33	35-580000-23	.TUBE ASSY- SINGLE BRAKE ONLY	FE	1
34	AN833-4D	.ELBOW- SINGLE BRAKE ONLY	FE	1
35	AN743-6	.BRACKET ATTACHING PARTS	FE	1
	AN515-8-7	.SCREW	FE	1
	AN960-8	.WASHER	FE	1
	MS20365-832	.NUT -----*-----	FE	1
	AN742-6C	.CLAMP ATTACHING PARTS	FE	1
	AN520-10-8	.SCREW	FE	1
	AN960-10	.WASHER	FE	1

- ITEM NOT ILLUSTRATED

32-43-01

PAGE 2
JUL 01/12

Hawker Beechcraft Corporation

F33/G33/F33A/F33C ILLUSTRATED PARTS CATALOG

FIG ITEM	PART NUMBER	NOMENCLATURE 1 2 3 4 5 6 7	USABLE ON CODE	UNITS
				PER ASSY
01	MS20365-1032	.NUT -----*-----	FE	1
	AN960-716L	.WASHER- SINGLE BRAKE ONLY	FE	1
	AN924-4D	.NUT- SINGLE BRAKE ONLY	FE	1
36	35-580000-11	.TUBE ASSY	FE	1
37	AN815-4D	.UNION	FE	1
38	35-815095	.TUBE ASSY	FE	1
39	AN743-6	.BRACKET ATTACHING PARTS	FE	2
	AN515-8-7	.SCREW	FE	2
	AN960-8	.WASHER	FE	2
	MS20365-832	.NUT -----*-----	FE	2
	AN742-6C	.CLAMP ATTACHING PARTS	FE	2
	AN520-10-8	.SCREW	FE	2
	AN960-10	.WASHER	FE	2
	MS20365-1032	.NUT -----*-----	FE	2
40	AN821-4D	.ELBOW	FE	1
41	35-815006-8	.TUBE ASSY	FE	1
42	AN833-4D	.ELBOW	FE	1
	AN960-716	.WASHER	FE	2
	AN924-4D	.NUT	FE	2
43	35-815006-12	.TUBE ASSY	FE	1
44	35-580012-3	.BRACKET	FE	1
45	AN837-4D	.ELBOW	FE	2
	AN960-716L	.WASHER	FE	1
	AN924-4D	.NUT	FE	1
46	35-580000-25	.BRACKET ATTACHING PARTS	FE	1
	130909B12	.BOLT -----*-----	FE	2
47	AN837-4D	.ELBOW	FE	1
	AN960-716L	.WASHER	FE	1
	AN924-4D	.NUT	FE	1
48	35-580000-15	.TUBE ASSY	FE	1
49	739-4	.CLIP ATTACHING PARTS	FE	2
	AN515-8-7	.SCREW	FE	2
	AN960-8	.WASHER	FE	2
	MS20365-832	.NUT -----*-----	FE	2
50	AN815-4D	.UNION	FE	1
51	35-580000-19	.TUBE ASSY- SINGLE BRAKE ONLY	FE	1
52	AN832-4D	.UNION	FE	1
	AN960-716	.WASHER	FE	1
	MS24400D4	.NUT	FE	1

- ITEM NOT ILLUSTRATED

32-43-01

PAGE 3
JUL 01/12

BONANZA

Hawker Beechcraft Corporation

F33/G33/F33A/F33C ILLUSTRATED PARTS CATALOG

FIG ITEM	PART NUMBER	NOMENCLATURE 1 2 3 4 5 6 7	USABLE ON CODE	UNITS PER ASSY
01				
53	95-814005-9	.TUBE ASSY	FE	1
54	AN815-4D	.UNION	FE	1
55	35-815006-10	.TUBE ASSY	FE	1
56	AN742-6C	.CLAMP	FE	3
		ATTACHING PARTS		
	AN520-10-8	.SCREW	FE	3
	AN960-10	.WASHER	FE	3
	MS20365-1032	.NUT	FE	3
		-----*-----		
57	AN837-4D	.ELBOW	FE	1
58	35-815006-13	.TUBE ASSY	FE	1
59	35-380063-7	.CONTROL-PARKING BRAKE	FE	1
60	AN743P12	.BRACKET	FE	1
61	AN743-12	.BRACKET	FE	1
		ATTACHING PARTS		
	AN525-10R10	.SCREW	FE	1
	AN960-10	.WASHER	FE	1
	MS20365-1032	.NUT	FE	1
		-----*-----		
	AN742-3	.CLAMP	FE	1
		ATTACHING PARTS		
	AN525-10R	.SCREW	FE	1
	AN960-10	.WASHER	FE	1
	MS20365-1032	.NUT	FE	1
		-----*-----		
62	112412	.GROMMET	FE	2
	112413-2	.BALL	FE	2
	112436-6	.RETAINER	FE	1
	AN960-8	.WASHER	FE	4
	49338	.FASTENER	FE	2
63	35-580001-3	.TUBE ASSY-	FE	1
		DUAL BRAKES ONLY		
64	AN816-4D	.ADAPTOR	FE	2
65	MS20822-4D	.ELBOW	FE	2
66	50-380079-1	VALVE-	FE	2
		FOR SPARES ORDER: 101-388004-11		
	50-380079-3	VALVE-	FE	2
		SPARES REPLACEMENT FOR: 101-388004-11		
		SEE 32-45-03		
	101-388004-11	.VALVE-SHUTTLE	FE	2
		SPARES REPLACEMENT FOR: 50-380079-1 OR -3		
	AN924-4D	.NUT	FE	2
67	MS20822-4D	.ELBOW	FE	1
68	35-580001-19	.TUBE ASSY	FE	1
69	AN821-4D	.ELBOW	FE	1
70	739-4	.CLIP	FE	4
		ATTACHING PARTS		
	AN515-8-7	.SCREW	FE	4

- ITEM NOT ILLUSTRATED

32-43-01

PAGE 4
JUL 01/12

BONANZA

Hawker Beechcraft Corporation

F33/G33/F33A/F33C ILLUSTRATED PARTS CATALOG

FIG ITEM	PART NUMBER	NOMENCLATURE 1 2 3 4 5 6 7	USABLE ON CODE	UNITS PER ASSY
01	AN960-8	.WASHER	FE	4
	MS20365-832	.NUT	FE	4
		-----*-----		
71	35-580001-35	.TUBE ASSY	FE	1
72	AN815-4D	.UNION	FE	1
73	35-580001-27	.TUBE ASSY	FE	1
74	AN833-4D	.ELBOW	FE	2
	AN960-716L	.WASHER	FE	2
	AN924-4D	.NUT	FE	2
75	35-580001-23	.TUBE ASSY	FE	1
76	35-580001-15	.TUBE ASSY	FE	1
77	35-580001-31	.TUBE ASSY	FE	1
78	35-580011-1	.BRACKET	FE	1
	AN530-10-10	.SCREW-BRACKET ATTACHING	FE	2
	95-810019-43	.PEDAL-LH COPILOT DUAL BRAKES	FE	1
	35-524011	.PEDAL-RH COPILOT DUAL BRAKES ATTACHING PARTS	FE	1
	130909B172	.BOLT	FE	4
	AN960-10	.WASHER	FE	4
	130909N6	.NUT	FE	4
	AN380-2-2	.PIN-COTTER	FE	4
		-----*-----		
FE		CD1235-CD1243,CE0290-CE0301, CJ0026		
B		CD1235-CD1243,CE0290-CE0301		
C		CJ0026		

- ITEM NOT ILLUSTRATED

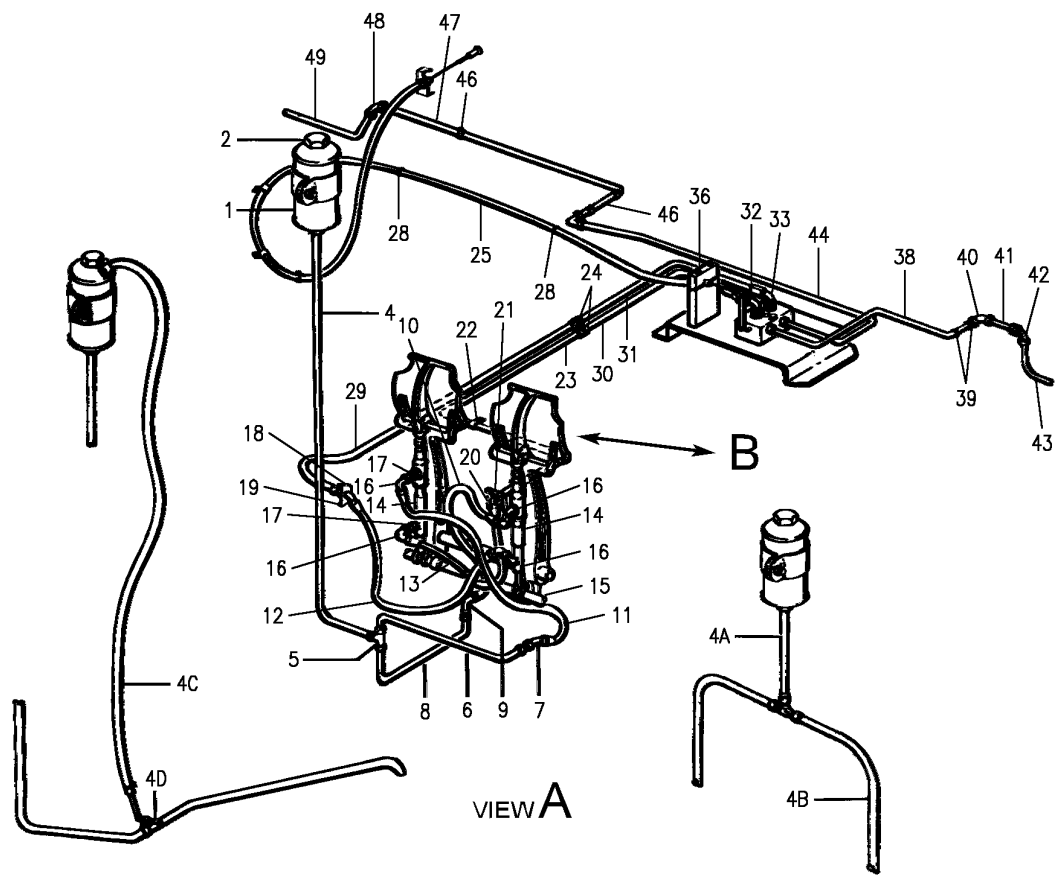
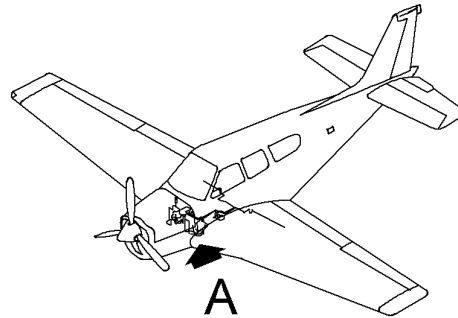
32-43-01

PAGE 5
JUL 01/12

BONANZA

Hawker Beechcraft Corporation

F33/G33/F33A/F33C ILLUSTRATED PARTS CATALOG



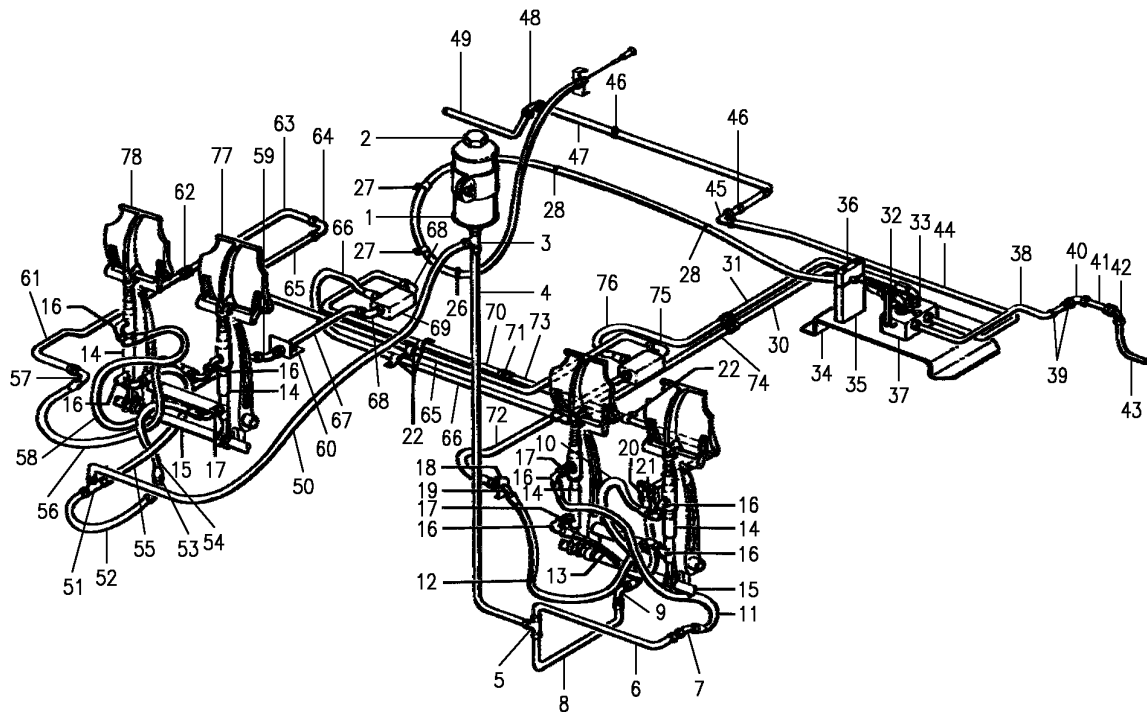
F33A-324303-01-AA

BRAKE PLUMBING
SHEET 1 OF 2

32-43-03
PAGE 0
JUL 01/12

Hawker Beechcraft Corporation

F33/G33/F33A/F33C ILLUSTRATED PARTS CATALOG



VIEW B

F33A-324303-02-AA

BRAKE PLUMBING
SHEET 2 OF 2

32-43-03
PAGE 0A
JUL 01/12

Hawker Beechcraft Corporation

F33/G33/F33A/F33C ILLUSTRATED PARTS CATALOG

PAGE INTENTIONALLY LEFT BLANK

Hawker Beechcraft Corporation

F33/G33/F33A/F33C ILLUSTRATED PARTS CATALOG

FIG ITEM	PART NUMBER	NOMENCLATURE 1 2 3 4 5 6 7	USABLE ON CODE	UNITS PER ASSY
03	35-580002-1	BRAKE PLUMBING PLUMBING INSTL-SINGLE HYDRAULIC BRAKES	FE B	RF
	35-580002-19	PLUMBING INSTL-SINGLE HYDRAULIC BRAKES	C	RF
	35-580002-35	PLUMBING INSTL-SINGLE HYDRAULIC BRAKES	D	RF
	35-580002-31	PLUMBING INSTL-SINGLE HYDRAULIC BRAKES	E	RF
	35-580002-39	PLUMBING INSTL-SINGLE HYDRAULIC BRAKES	F	RF
	35-580002-3	PLUMBING INSTL-DUAL HYDRAULIC BRAKES	B	RF
	35-580002-25	PLUMBING INSTL-DUAL HYDRAULIC BRAKES	C	RF
	35-580002-37	PLUMBING INSTL-DUAL HYDRAULIC BRAKES	T	RF
	35-580002-33	PLUMBING INSTL-DUAL HYDRAULIC BRAKES	E	RF
	35-580002-41	PLUMBING INSTL-DUAL HYDRAULIC BRAKES	F	RF
	33-580011	.RESERVOIR ASSY-HYDRAULIC BRAKE FLUID	H	1
	35-815180-8	.CAP ASSY-HYDRAULIC BRAKE FLUID ATTACHING PARTS	G	1
	AN520-10R10	.SCREW	FE	1
	AN960-10	.WASHER	FE	1
	MS20365-1032	.NUT	FE	1
	-----*-----			
1	112136-12	..CAN-HYDRAULIC FLUID	FE	1
2	35-815180-10	..CAP ASSY-RESERVOIR FOR SPARES ORDER: 35-815180-8	FE	1
2	35-815180-8	...CAP ASSY-RESERVOIR SPARES REPLACEMENT FOR: 35-815180-10	FE	1
	35-815180-12	..CAP-RESERVOIR	FE	1
	AN526-632-40	..SCREW	FE	1
	AN960-6	..WASHER	FE	1
	35-815180-6	..SPACER	FE	1
	100951DD032VA	..WASHER	FE	1
	MS20365-632	..NUT	FE	1
	33-580012	..CHECK VALVE	H	1
3	AN824-4D	.TEE- DUAL BRAKES ONLY	FE	1
4	36-580000-97	.TUBE ASSY	FE	1
4A	36-580000-119	.TUBE ASSY-DUAL BRAKES	K	1
	36-580000-149	.TUBE ASSY-DUAL BRAKES	L	1
4B	35-580001-65	.TUBE ASSY-DUAL BRAKES	K	1
	36-580000-145	.TUBE ASSY-DUAL BRAKES	L	1
	002-580010-3	.TUBE ASSY-SINGLE BRAKE	FE	1
4C	35-580000-69	.TUBE ASSY	H	1

- ITEM NOT ILLUSTRATED

32-43-03

PAGE 1

JUL 01/12

BONANZA

Hawker Beechcraft Corporation

F33/G33/F33A/F33C ILLUSTRATED PARTS CATALOG

FIG ITEM	PART NUMBER	NOMENCLATURE 1 2 3 4 5 6 7	USABLE ON CODE	UNITS PER ASSY
03				
4D	35-580000-73	.TUBE ASSY	H	1
	MS21919WDG4	.CLAMP	H	1
	130292A4	.CLAMP	H	1
	MS21919WDG3	.CLAMP	H	1
	MS21919WDG12	.CLAMP	H	1
		ATTACHING PARTS		
	AN5158R6	.SCREW	FE	1
	AN960-8	.WASHER	FE	1
	130909N28	.NUT	FE	1
		-----*-----		
5	AN824-4D	.TEE	FE	1
6	35-580000-27	.TUBE ASSY	U	1
	002-580013-3	.TUBE ASSY	J	1
7	AN837-4D	.ELBOW	U	1
	AN960-716L	.WASHER-ELBOW	FE	1
	AN924-4D	.NUT-ELBOW	FE	1
8	35-580000-39	.TUBE ASSY	U	1
	002-580014-3	.TUBE ASSY	J	1
9	AN833-4D	.ELBOW	FE	1
	AN960-716L	.WASHER-ELBOW	FE	1
	AN924-4D	.NUT-ELBOW	FE	1
10	330997-4-140	.HOSE ASSY-PILOT LH PEDAL	FE	1
11	330997-4-130	.HOSE ASSY-PILOT RH PEDAL	FE	1
12	MS28741-4-0107	.HOSE ASSY-PILOT LH PEDAL	FE	1
13	MS28741-4-0107	.HOSE ASSY-PILOT RH PEDAL	FE	1
14	96-380034-25	.CYLINDER-MASTER	R	4
	96-380034-29	.CYLINDER-MASTER	S	4
		ATTACHING PARTS		
	130909B172	.BOLT	FE	2
	AN960-10	.WASHER	FE	2
	130909N6	.NUT	FE	2
	MS24665-132	.PIN-COTTER	FE	2
		-----*-----		
15	002-410033-1	.SUPPORT ASSY-MASTER CYLINDER DUAL BRAKES	FE	1
16	MS20822-4D	.ELBOW-MASTER CYLINDER	FE	6
17	AN816-4D	.ADAPTOR-MASTER CYLINDER	FE	2
18	35-580012-3	.BRACKET	U	1
	002-410019-25	.BRACKET	J	1
19	AN837-4D	.ELBOW	FE	1
	AN960-716L	.WASHER-ELBOW	FE	1
	AN924-4D	.NUT-ELBOW	FE	1
20	AN837-4D	.ELBOW	FE	1
	AN960-716L	.WASHER-ELBOW	FE	1
	AN924-4D	.NUT-ELBOW	FE	1
21	35-580000-25	.BRACKET	FE	1
		ATTACHING PARTS		
	130909B13	.BOLT	B	2
22	739-4	.CLIP	C	4
	AN515-8R7	.SCREW	FE	8
	AN960-8	.WASHER	FE	8

- ITEM NOT ILLUSTRATED

32-43-03

PAGE 2
JUL 01/12

BONANZA

Hawker Beechcraft Corporation

F33/G33/F33A/F33C ILLUSTRATED PARTS CATALOG

FIG ITEM	PART NUMBER	NOMENCLATURE 1 2 3 4 5 6 7	USABLE ON CODE	UNITS PER ASSY
03	MS20365-832	.NUT -----*-----	FE	8
23	36-580000-7	.TUBE ASSY-SINGLE BRAKE	U	1
	002-580012-3	.TUBE ASSY-SINGLE BRAKE	J	1
24	AN832-4D	.UNION	FE	2
	AN960-716	.WASHER	FE	2
	AN924-4D	.NUT	FE	2
25	35-380063-11	.CONTROL-PARKING BRAKE	M	1
	35-380063-13	.CONTROL-PARKING BRAKE	Q	1
26	AN742-3	.CLAMP ATTACHING PARTS	FE	1
	AN515-8R8	.SCREW	FE	1
	AN960-8	.WASHER	FE	1
	NAS1329A08K120	.RIVNUT	M	1
	MS20365-832	.NUT -----*-----	N	1
27	739-4	.CLIP ATTACHING PARTS	FE	2
	AN515-8R6	.SCREW	FE	4
	AN960-8	.WASHER	FE	4
	MS20365-832	.NUT -----*-----	FE	4
28	115005-1	.GROMMET	FE	2
29	36-580000-41	.TUBE ASSY-SINGLE BRAKE	U	1
	36-580000-153	.TUBE ASSY-SINGLE BRAKE	J	1
30	36-580000-103	.TUBE ASSY	M	1
	35-580002-29	.TUBE ASSY	N	1
31	36-580000-83	.TUBE ASSY	M	1
	35-580002-27	.TUBE ASSY	N	1
32	MS20823-4D	.ELBOW	FE	1
33	MS20822-4D	.ELBOW	FE	1
	36-580012	.BRACKET ASSY-PARKING BRAKE CONTROL	M	1
	35-580017-1	.BRACKET ASSY-PARKING BRAKE CONTROL	N	1
34	36-580000-81	..BRACKET	M	1
	35-580017-3	..BRACKET	N	1
	NAS697A3	..NUTPLATE	FE	4
35	36-580000-93	..BLOCK-LOWER 36-580000-91 & 36-580000-93 SOLD IN MATCHED SETS ONLY	FE	1
36	36-580000-91	..BLOCK-UPPER 36-580000-91 & 36-580000-93 SOLD IN MATCHED SETS ONLY ATTACHING PARTS	FE	1
	AN3-23A/M/ AN960-10L	..BOLT ..WASHER -----*-----	FE FE	2 2
	130909B12	.BOLT	FE	1
	AN345-10	.NUT	FE	1
	36-580011	.SWIVEL	FE	1

- ITEM NOT ILLUSTRATED

32-43-03

PAGE 3
JUL 01/12

BONANZA

Hawker Beechcraft Corporation

F33/G33/F33A/F33C ILLUSTRATED PARTS CATALOG

FIG ITEM	PART NUMBER	NOMENCLATURE 1 2 3 4 5 6 7	USABLE ON CODE	UNITS PER ASSY
03				
	AN960-10L	.WASHER	FE	2
	MS24665-153	.PIN-COTTER	FE	1
37	HE7002-3	.VALVE-	FE	1
		FOR SPARES ORDER:		
		A850-8		
37	A850-8	.VALVE-PARKING BRAKE	FE	1
		SEE 32-46-01		
		SPARES REPLACEMENT FOR:		
		HE7002-3		
		ATTACHING PARTS		
	130909B23	.BOLT	FE	2
	AN960-10	.WASHER	FE	6
		-----*-----		
38	35-580013	.TUBE ASSY	M	1
	35-580002-21	.TUBE ASSY	N	1
39	AN931-7-11	.GROMMET	FE	2
40	AN821-4D	.ELBOW	FE	1
41	36-580000-15	.TUBE ASSY	FE	1
42	AN833-4D	.ELBOW	FE	2
	AN960-716	.WASHER-ELBOW	FE	2
	AN924-4D	.NUT-ELBOW	FE	2
43	35-815006-12	.TUBE ASSY	FE	1
44	35-580014	.TUBE ASSY	M	1
	35-580002-23	.TUBE ASSY	N	1
45	AN821-4D	.ELBOW	FE	1
46	AN742-6C	.CLAMP	FE	2
		ATTACHING PARTS		
	AN520-10R8	.SCREW	FE	2
	AN960-10L	.WASHER	FE	2
	MS20365-1032	.NUT	FE	2
		-----*-----		
47	35-815006-10	.TUBE ASSY	FE	1
48	AN837-4D	.ELBOW	FE	1
49	35-815006-13	.TUBE ASSY	FE	1
50	36-580000-101	.TUBE ASSY-DUAL BRAKES	K	1
	36-580000-147	.TUBE ASSY-DUAL BRAKES	L	1
51	AN804D4	.TEE	FE	1
	AN960-716L	.WASHER-TEE	FE	1
	AN924-4D	.NUT-TEE	FE	1
52	35-580001-11	.TUBE ASSY-DUAL BRAKES	FE	1
53	AN833-4D	.ELBOW	FE	1
	AN960-716L	.WASHER-ELBOW	FE	1
	AN924-4D	.NUT-ELBOW	FE	1
54	330997-0-0124	.HOSE ASSY-COPILOT LH PEDAL	FE	1
55	330997-4-0150	.HOSE ASSY-COPILOT RH PEDAL	FE	1
56	330997-4-0130	.HOSE ASSY-COPILOT LH PEDAL	FE	1
57	AN837-4D	.ELBOW	FE	1
	AN960-716L	.WASHER-ELBOW	FE	1
	AN924-4D	.NUT-ELBOW	FE	1
58	MS28741-4-0107	.HOSE ASSY-COPILOT RH PEDAL	FE	1
59	AN837-4D	.ELBOW	FE	1

- ITEM NOT ILLUSTRATED

32-43-03

PAGE 4
JUL 01/12

BONANZA

Hawker Beechcraft Corporation

F33/G33/F33A/F33C ILLUSTRATED PARTS CATALOG

FIG ITEM	PART NUMBER	NOMENCLATURE 1 2 3 4 5 6 7	USABLE ON CODE	UNITS PER ASSY
03				
	AN960-716L	.WASHER-ELBOW	FE	1
	AN924-4D	.NUT-ELBOW	FE	1
60	35-580011-1	.BRACKET ATTACHING PARTS	FE	1
	AN520-10R8	.SCREW	FE	2
	MS20365-1032	.NUT	FE	2
		-----*-----		
61	35-580001-27	.TUBE ASSY	FE	1
62	AN815-4D	.UNION	FE	1
63	35-580001-75	.TUBE ASSY	FE	1
64	AN821-4D	.ELBOW	FE	1
65	35-580001-71	.TUBE ASSY	FE	1
66	36-580000-61	.TUBE ASSY	FE	1
67	36-580000-67	.TUBE ASSY	FE	1
68	MS20822-4D	.ELBOW	FE	1
69	50-380079	.VALVE-SHUTTLE	V	2
	101-388004-11	.VALVE-SHUTTLE SEE 32-45-03	P	2
70	35-580001-15	.TUBE ASSY	FE	1
71	AN815-4D	.UNION	FE	1
72	36-580000-155	.TUBE ASSY	FE	1
73	35-580000-15	.TUBE ASSY	FE	1
74	AN816-4D	.ADAPTOR	FE	1
75	MS20822-4D	.ELBOW	FE	1
76	36-580000-57	.TUBE ASSY	FE	1
77	95-810019-43	.PEDAL-LH COPILOT DUAL BRAKES	U	1
78	35-524011	.PEDAL-RH COPILOT DUAL BRAKES	U	1
	002-524010-19	.PEDAL ASSY-LH & RH SINGLE & DUAL BRAKES ATTACHING PARTS	J	1
	130909B20	.BOLT	FE	4
	AN960-10	.WASHER	FE	4
	130909N6	.NUT	FE	4
	MS24665-132	.PIN-COTTER	FE	4
		-----*-----		
	95-524018-31	.ROD ASSY-PUSH	U	2
	002-410043-1	.ROD ASSY-PUSH	J	2
FE		CD1244-CD1304,CE0302-CE9999, CJ0027-CJ9999		
B		CD1244-CD1273,CE0302-CE0363		
C		CD1274-CD1304,CE0364-CE0417, CE0419-CE0435		
D		CE0418,CE0436-CE9999		
E		CJ0027-CJ0039		
F		CJ0040-CJ9999		
G		CD1244-CD1304,CE0302-CE9999		
H		CJ0027-CJ9999		
		(CONTINUED NEXT PAGE)		

- ITEM NOT ILLUSTRATED

32-43-03

PAGE 5
JUL 01/12

BONANZA

Hawker Beechcraft Corporation

F33/G33/F33A/F33C ILLUSTRATED PARTS CATALOG

FIG ITEM	PART NUMBER	NOMENCLATURE 1 2 3 4 5 6 7	USABLE ON CODE	UNITS PER ASSY
03		(CONTINUED)		
J		CE0418, CE0436-CE9999, CJ0040-CJ9999		
K		CD1244-CD1304, CE0302-CE0709, CJ0027-CJ0128		
L		CE0710-CE9999, CJ0129-CJ9999		
M		CD1244-CD1273, CE0302-CE0363, CJ0027-CJ0030		
N		CD1274-CD1304, CE0364-CE9999, CJ0031-CJ9999		
P		CE0762-CE0838, CJ0139-CJ0149		
Q		CD1274-CD1304, CE0364-CE9999		
R		CD1244-CD1304, CE0302-CE1261, CE1265-CE9999, CJ0027-CJ9999		
S		CE1262-CE1264		
T		CE0418, CE0436-CE0838		
U		CD1244-CD1304, CE0302-CE0417, CE0419-CE0435, CJ0027-CJ0039		
V		CD1244-CD1304, CE0302-CE0761, CJ0027-CJ0138		

- ITEM NOT ILLUSTRATED

32-43-03

PAGE 6
JUL 01/12

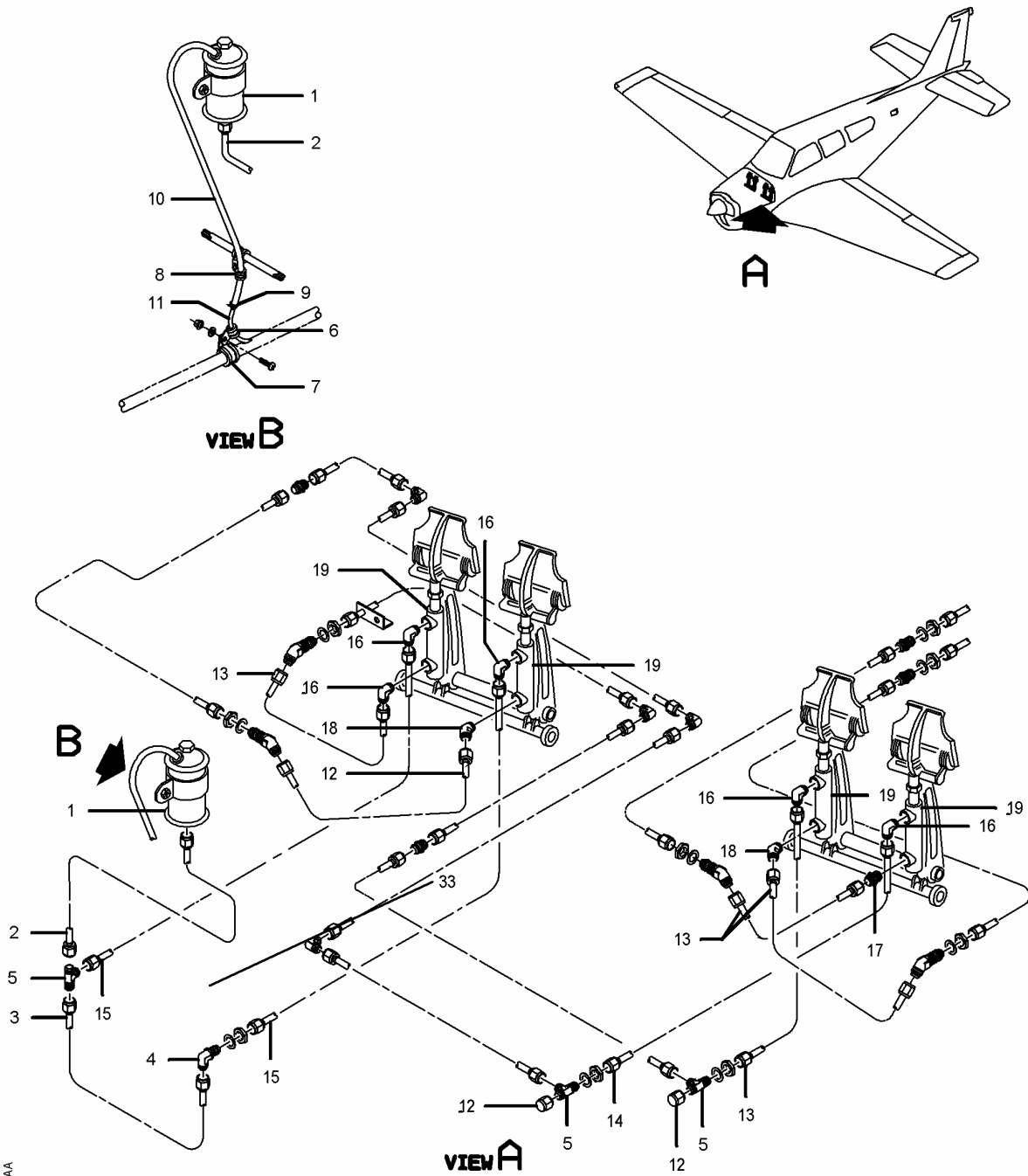
Hawker Beechcraft Corporation

F33/G33/F33A/F33C ILLUSTRATED PARTS CATALOG

PAGE INTENTIONALLY LEFT BLANK

Hawker Beechcraft Corporation

F33/G33/F33A/F33C ILLUSTRATED PARTS CATALOG



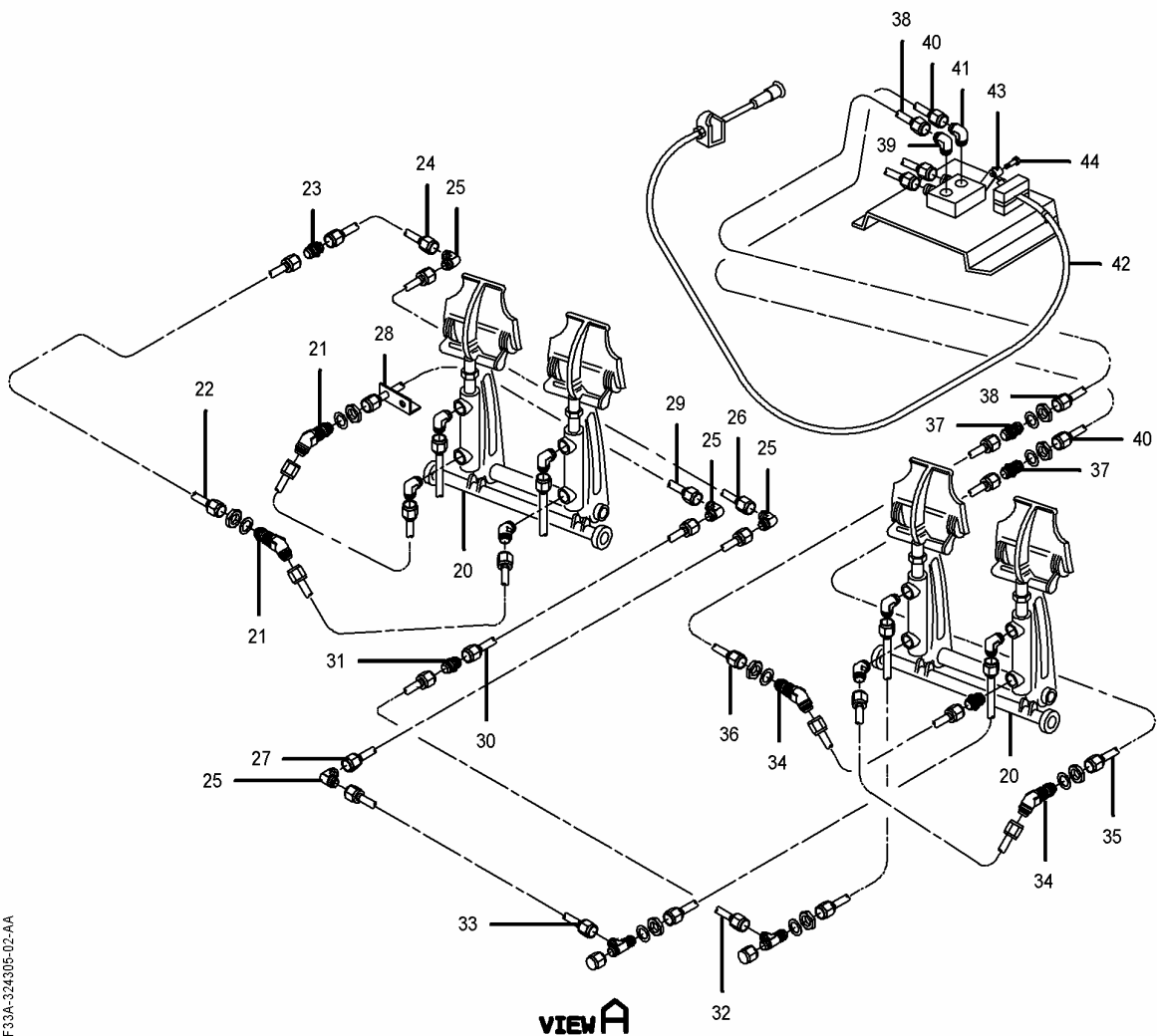
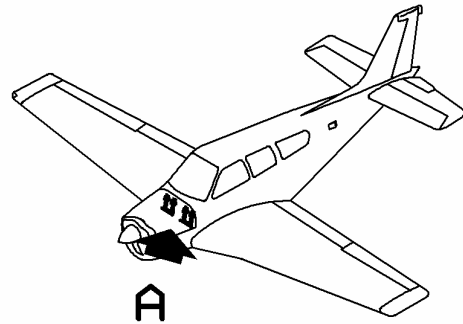
F33A-324305-01-AA

BRAKE PLUMBING - DUAL BRAKES
SHEET 1 OF 3

32-43-05
PAGE 0
JUL 01/12

Hawker Beechcraft Corporation

F33/G33/F33A/F33C ILLUSTRATED PARTS CATALOG



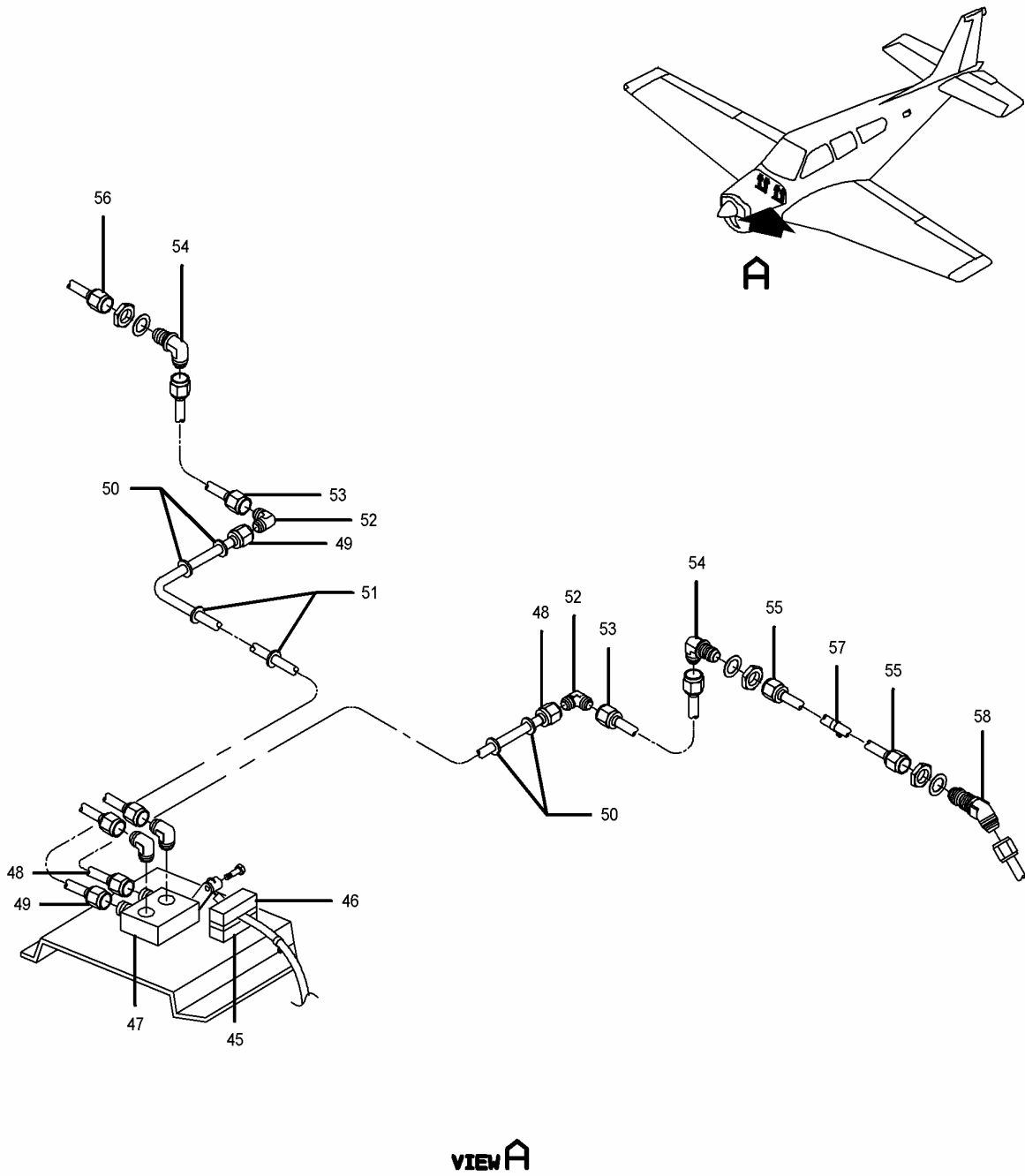
F33A-324305-02-AA

BRAKE PLUMBING - DUAL BRAKES
SHEET 2 OF 3

32-43-05
PAGE 0A
JUL 01/12

Hawker Beechcraft Corporation

F33/G33/F33A/F33C ILLUSTRATED PARTS CATALOG



F33A-324305-03-AA

BRAKE PLUMBING - DUAL BRAKES
SHEET 3 OF 3

32-43-05
PAGE 0B
JUL 01/12

Hawker Beechcraft Corporation

F33/G33/F33A/F33C ILLUSTRATED PARTS CATALOG

FIG ITEM	PART NUMBER	NOMENCLATURE 1 2 3 4 5 6 7	USABLE ON CODE	UNITS PER ASSY
05		BRAKE PLUMBING - DUAL BRAKES	FE	
	36-580001-3	PLUMBING INSTL-DUAL BRAKE	A	RF
	36-580001-5	PLUMBING INSTL-DUAL BRAKE	B	RF
1	35-815180-8	.CAP ASSY-	F	1
		FOR SPARES ORDER:		
		35-815275-1 RESERVOIR &		
		102-580011-1 CLAMP		
	35-815275-1	.RESERVOIR ASSY-	G	1
		SPARES REPLACEMENT FOR:		
		35-815180-8		
	33-580011	.RESERVOIR ASSY-	H	1
		FOR SPARES ORDER:		
		33-580011-1 RESERVOIR &		
		102-580011-1 CLAMP		
	33-580011-1	.RESERVOIR ASSY-	J	1
		SPARES REPLACEMENT FOR:		
		33-580011-1		
		ATTACHING PARTS		
	MS35215-56	.SCREW	FE	1
	AN960-10	.WASHER	FE	1
	130909N29	.NUT	FE	1
		-----*-----		
2	36-580001-21	.TUBE ASSY	FE	1
3	35-580001-11	.TUBE ASSY	FE	1
4	AN833-4	.ELBOW	FE	1
		ATTACHING PARTS		
	AN960-716L	.WASHER	FE	1
	AN924-4	.NUT	FE	1
		-----*-----		
5	AN804-4	.TEE	FE	3
		ATTACHING PARTS		
	AN960-716L	.WASHER	FE	1
	AN924-4	.NUT	FE	1
		-----*-----		
6	MS21919WDG3	.CLAMP	B	1
7	MS21919WDG12	.CLAMP	B	1
		ATTACHING PARTS		
	MS35206-243	.SCREW	FE	1
	AN960-8	.WASHER	FE	1
	MS21042L08	.NUT	FE	1
		-----*-----		
8	MS21919WDG4	.CLAMP	B	1
9	130292A4	.CLAMP	B	1
10	35-580000-69	.TUBE ASSY	B	1
11	35-580000-73	.TUBE ASSY	B	1
12	AN929-4	.CAP	FE	2
13	MS28741-4-0107	.HOSE ASSY	FE	4
14	MS28741-4-0090	.HOSE ASSY	FE	2
15	330997-4-0130	.HOSE ASSY	FE	2
16	MS20822-4D	.ELBOW	FE	5
17	AN916-4D	.NIPPLE	FE	1
18	MS20823-4D	.ELBOW	FE	2

- ITEM NOT ILLUSTRATED

32-43-05

PAGE 1
JUL 01/12

BONANZA

Hawker Beechcraft Corporation

F33/G33/F33A/F33C ILLUSTRATED PARTS CATALOG

FIG ITEM	PART NUMBER	NOMENCLATURE 1 2 3 4 5 6 7	USABLE ON CODE	UNITS PER ASSY
05				
19	96-380034-3	.CYLINDER-MASTER BRAKE FOR SPARES ORDER: 96-380034-25	D	4
	96-380034-25	.CYLINDER-MASTER BRAKE SPARES REPLACEMENT FOR: 96-380034-3	E	4
	MS20392-2C25	ATTACHING PARTS .PIN-CLEVIS UPPER & LOWER OUTBOARD, UPPER INBOARD	FE	AR
	MS20392-2C33	.PIN-CLEVIS LOWER INBOARD	FE	AR
	AN960-10	.WASHER- 2 MAXIMUM EACH PIN	FE	AR
	MS24665-132	.PIN-COTTER	FE	2
	NAS43HT3-16	.SPACER- LOWER INBOARD -----*-----	FE	AR
20	002-410033-1	.SUPPORT ASSY-MASTER CYLINDER	FE	2
21	AN837-4D	.ELBOW ATTACHING PARTS	FE	2
	AN960-716L	.WASHER	FE	1
	AN924-4D	.NUT -----*-----	FE	1
22	35-580001-27	.TUBE ASSY	FE	1
23	AN815-4D	.UNION	FE	1
24	35-580001-75	.TUBE ASSY	FE	1
25	AN821-4D	.ELBOW	FE	4
26	35-580001-13	.TUBE ASSY	FE	1
27	35-580001-17	.TUBE ASSY	FE	1
28	35-580011-1	.BRACKET ATTACHING PARTS	FE	1
	130909B12	.BOLT	FE	2
	130909N29	.NUT -----*-----	FE	2
29	36-580001-11	.TUBE	FE	1
30	36-580001-15	.TUBE ASSY	FE	1
31	AN815-4D	.UNION	FE	1
32	36-580001-7	.TUBE ASSY	FE	1
33	36-580001-9	.TUBE ASSY	FE	1
34	AN837-4D	.ELBOW ATTACHING PARTS	FE	2
	AN960-716L	.WASHER	FE	1
	AN924-4D	.NUT -----*-----	FE	1
35	002-580012-3	.TUBE ASSY	FE	1
36	36-580000-153	.TUBE ASSY	FE	1
	739-4	.CLIP ATTACHING PARTS	FE	1
	MS35206-244	.SCREW	FE	2
	AN960-8	.WASHER	FE	2

- ITEM NOT ILLUSTRATED

32-43-05

Hawker Beechcraft Corporation

F33/G33/F33A/F33C ILLUSTRATED PARTS CATALOG

FIG ITEM	PART NUMBER	NOMENCLATURE 1 2 3 4 5 6 7	USABLE ON CODE	UNITS PER ASSY
05	MS21042L08	.NUT -----*-----	FE	2
37	AN832-4D	.UNION ATTACHING PARTS	FE	2
	AN960-716L	.WASHER	FE	1
	AN924-4	.NUT -----*-----	FE	1
38	35-580002-57	.TUBE ASSY	A	1
	35-580002-29	.TUBE ASSY	B	1
39	MS20822-4D	.ELBOW	FE	1
40	35-580002-55	.TUBE ASSY	A	1
	35-580002-27	.TUBE ASSY	B	1
41	MS20823-4D	.ELBOW	FE	1
42	35-380063-13	.CONTROL-CABLE ATTACHING PARTS	FE	1
	49296	.BAND	FE	1
	SCMSP	.CLIP-SWIVEL -----*-----	FE	1
43	36-580011	.SWIVEL ATTACHING PARTS	FE	1
	AN960-10L	.WASHER	FE	2
	MS24665-153	.PIN-COTTER -----*-----	FE	1
44	130909B12	.BOLT	FE	1
	MS35650-302	.NUT	FE	1
45	36-580000-93	.BLOCK-LOWER	FE	1
46	36-580000-91	.BLOCK-UPPER ATTACHING PARTS	FE	1
	AN3-23A	.BOLT	FE	2
	AN960-10L	.WASHER -----*-----	FE	2
47	HE7002-3	VALVE- FOR SPARES ORDER: A850-8	FE	1
47	A850-8	.VALVE-PARKING BRAKE SEE 32-46-01 SPARES REPLACEMENT FOR: HE7002-3 ATTACHING PARTS	FE	1
	130909B23	.BOLT	FE	2
	AN960-10	.WASHER- ONE UNDER BOLT HEAD, ONE BETWEEN VALVE AND BRACKET -----*-----	FE	4
48	35-580002-53	.TUBE ASSY	A	1
	35-580002-23	.TUBE ASSY	B	1
49	35-580002-51	.TUBE ASSY	A	1
	35-580002-49	.TUBE ASSY	B	1
50	MS35489-13	.GROMMET	FE	4
51	MS35489-6	.GROMMET	FE	2

- ITEM NOT ILLUSTRATED

32-43-05

Hawker Beechcraft Corporation

F33/G33/F33A/F33C ILLUSTRATED PARTS CATALOG

FIG ITEM	PART NUMBER	NOMENCLATURE 1 2 3 4 5 6 7	USABLE ON CODE	UNITS PER ASSY
05				
52	AN821-4D	. ELBOW	FE	2
53	36-580000-15	. TUBE ASSY	FE	2
54	AN833-4D	. ELBOW	FE	2
		ATTACHING PARTS		
	AN960-716	. WASHER	FE	1
	AN924-4D	. NUT	FE	1
		-----*-----		
	36-580000-131	. PLUMBING ASSY-LH WING	FE	1
	36-580000-133	. PLUMBING ASSY-RH WING	FE	1
55	35-815006-12	.. TUBE ASSY-LH	FE	1
56	35-815006-13	.. TUBE ASSY-RH	FE	1
57	AN742-6C	.. CLAMP	FE	1
		ATTACHING PARTS		
	AN515-8R7	.. SCREW	FE	1
	AN960-8	.. WASHER	FE	1
	MS20365-832	.. NUT	FE	1
	AN743-12	.. BRACKET	FE	1
	AN520-10R8	.. SCREW	FE	1
	AN960-10L	.. WASHER	FE	1
	MS20365-1032	.. NUT	FE	1
		-----*-----		
58	AN837-4D	.. ELBOW	FE	1
	AN960-716	.. WASHER	FE	1
	AN924-4D	.. NUT	FE	1
	AN743-12	.. BRACKET	FE	AR
	MS21919WDG4	.. CLAMP	FE	AR
	MS35207-263	.. SCREW	FE	AR
	AN960-10	.. WASHER	FE	AR
	130909N29	.. NUT	FE	AR
A		CE0839-CE9999		
B		CJ0150-CJ9999		
D		CE0839-CE0889, CE0891-CE0905, CJ0150-CJ0155		
E		CE0890, CE0906-CE9999, CJ0156-CJ9999		
F		CE0839-CE1288		
G		CE1289-CE9999		
H		CJ0150-CJ0179		
J		CJ0180-CJ9999		
FE		CE0839-CE9999, CJ0150-CJ9999		

- ITEM NOT ILLUSTRATED

32-43-05

PAGE 4
JUL 01/12

BONANZA

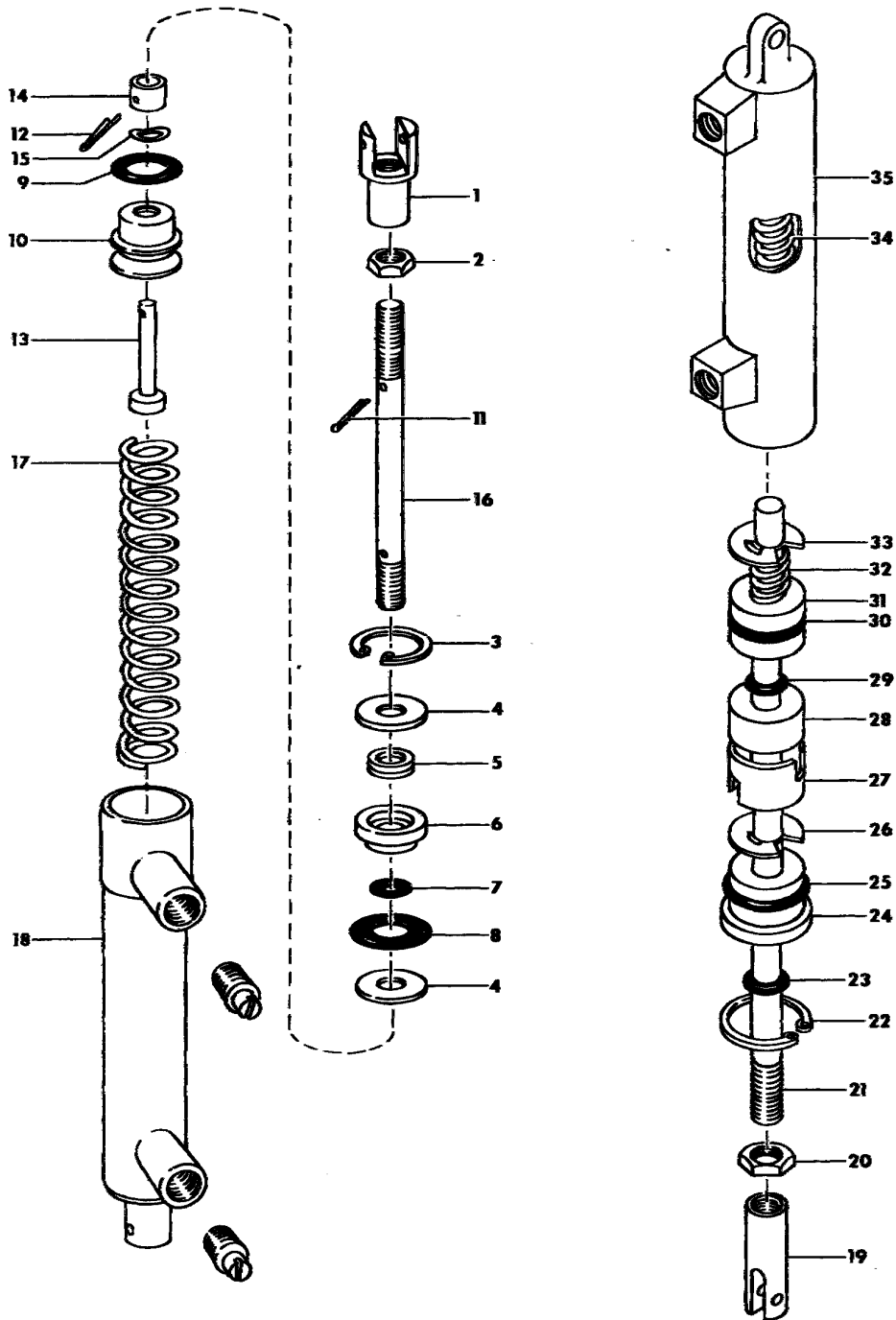
Hawker Beechcraft Corporation

F33/G33/F33A/F33C ILLUSTRATED PARTS CATALOG

PAGE INTENTIONALLY LEFT BLANK

Hawker Beechcraft Corporation

F33/G33/F33A/F33C ILLUSTRATED PARTS CATALOG



F33A-324401-01-AA

BRAKE MASTER CYLINDER

Hawker Beechcraft Corporation

F33/G33/F33A/F33C ILLUSTRATED PARTS CATALOG

FIG ITEM	PART NUMBER	NOMENCLATURE 1 2 3 4 5 6 7	USABLE ON CODE	UNITS
				PER ASSY
01	96-380034-3	BRAKE MASTER CYLINDER CYLINDER-HYDRAULIC BRAKE MASTER FOR SPARES ORDER: 96-380034-25		4
	96-380034-25	CYLINDER-HYDRAULIC BRAKE MASTER SPARES REPLACEMENT FOR: 96-380034-3		4
	VV15-625-2	.CYLINDER ASSY-HYDRAULIC BRAKE		4
1	A57G400	..CLEVIS		1
2	AN316-5	..NUT		1
3	5000-77	..RING-TRUARC SNAP		1
4	A57G395	..WASHER-RETAINING		2
5	A57G401	..WIPER-ROD		1
6	A57G399	..BUSHING-ROD GUIDE		1
7	AN6227B6	..PACKING		1
8	AN6227B11	..PACKING		1
9	AN6227B9	..PACKING		1
10	A57G394	..PISTON ASSY-ROD		1
11	AN380-2C2	...PIN-COTTER		1
12	A606	...PIN-MODIFIED COTTER		1
13	A57G113	...VALVE ASSY		1
14	A57G011	...STOP-VALVE		1
15	3502-18-24-0511	...WASHER-SPRING		1
16	A57G396	...PISTON & ROD ASSY		1
17	A505	..SPRING		1
18	A57G393	..BRAZE ASSY-CYLINDER		1
	96-380034-3	CYLINDER-HYDRAULIC BRAKE MASTER FOR SPARES ORDER: 96-380034-25		4
	96-380034-25	CYLINDER-HYDRAULIC BRAKE MASTER SPARES REPLACEMENT FOR: 96-380034-3		4
	A110	.CYLINDER ASSY-HYDRAULIC BRAKE		4
19	A091A	..CLEVIS		1
20	AN316-5	..NUT-LOCK		1
21	A137A2	..SHAFT		1
22	N5000-68MD	..RING-TRUARC SNAP		1
23	2-011	..PACKING		1
24	A104A	..CAP-END AND BEARING		1
25	11-014	..PACKING		1
26	X5133-21	..RING-TRUARC SNAP		1
27	A086A	..COLLAR-THRUST		1
28	A138A	..SPACER		1
29	2-008	..PACKING		1
30	2-111	..PACKING		1
31	A497A	..PISTON		1
32	A113A	..SPRING		1
33	X5133-21	..RING-TRUARC SNAP		1
34	A323A	..SPRING		1
35	A107A	..HOUSING		1

- ITEM NOT ILLUSTRATED

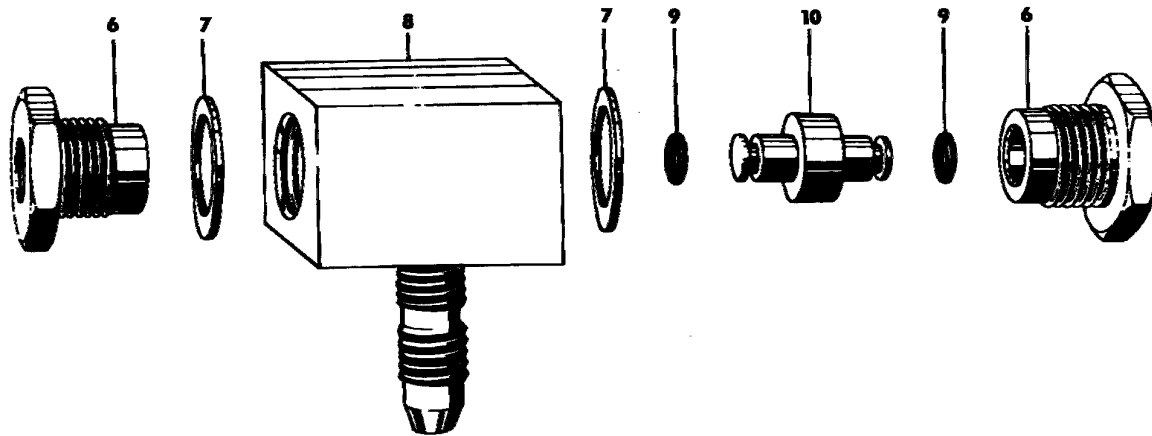
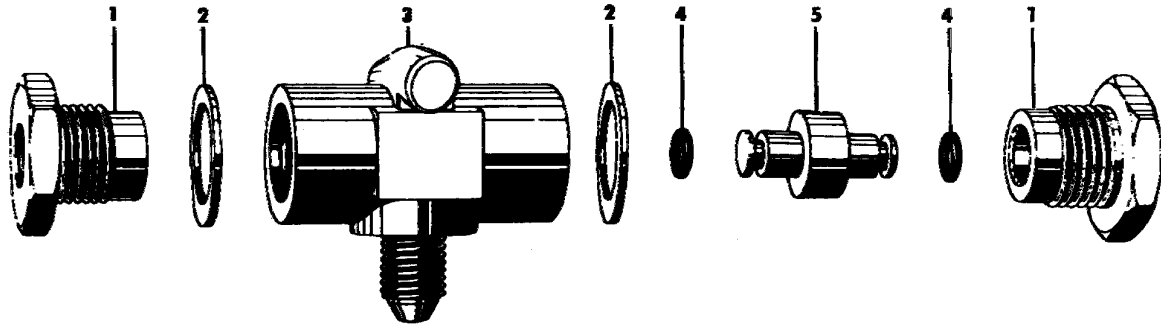
32-44-01

PAGE 1
JUL 01/12

BONANZA

Hawker Beechcraft Corporation

F33/G33/F33A/F33C ILLUSTRATED PARTS CATALOG



F33A-324501-01-AA

BRAKE SHUTTLE VALVE

32-45-01
PAGE 0
JUL 01/12

Hawker Beechcraft Corporation

F33/G33/F33A/F33C ILLUSTRATED PARTS CATALOG

FIG ITEM	PART NUMBER	NOMENCLATURE 1 2 3 4 5 6 7	USABLE ON CODE	UNITS
				PER ASSY
01	50-380079-1	BRAKE SHUTTLE VALVE VALVE-BRAKE SHUTTLE ORDER 101-388004-11 SEE 32-45-01	FE FE	2
1	A102-15	.FITTING-END	FE	2
2	HL5	.GASKET	FE	2
3	A101-22	.BODY-VALVE	FE	1
4	HL214	.PACKING	FE	2
5	HL837	.PISTON	FE	1
	50-380079-3	VALVE-BRAKE SHUTTLE FOR SPARES ORDER: 101-388004-11 SEE 32-45-03	FE	2
	101-388004-11	VALVE-BRAKE SHUTTLE SPARES REPLACEMENT FOR: 50-380079-3	FE	2
6	A-SA408	.FITTING-END	FE	2
7	A-SA405	.WASHER	FE	2
8	A-SA406	.BODY-VALVE	FE	1
9	AN6227B3	.PACKING	FE	2
10	A-SA407	.PISTON	FE	1
FE		CD1235-CD1304,CE0290-CE0761, CJ0026-CJ0138		

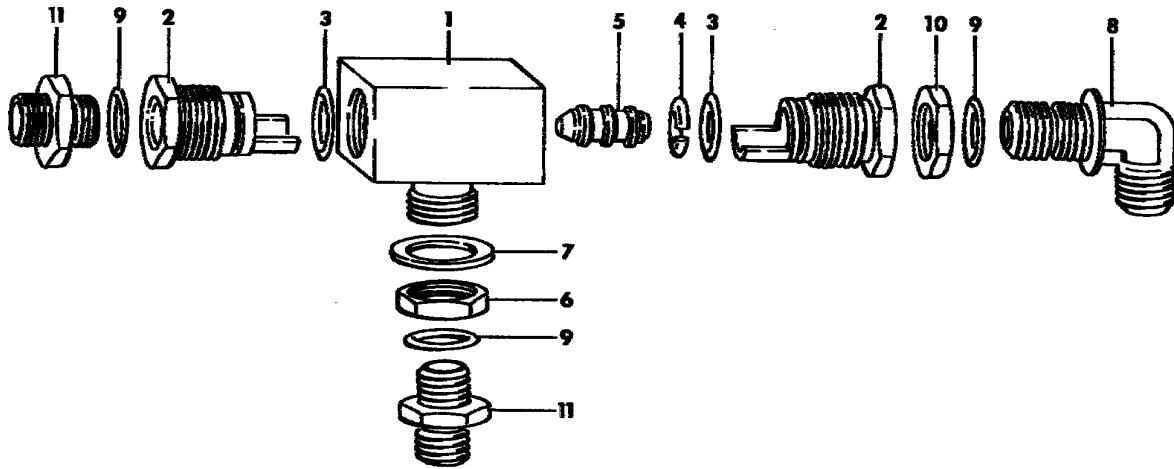
- ITEM NOT ILLUSTRATED

32-45-01
PAGE 1
JUL 01/12

BONANZA

Hawker Beechcraft Corporation

F33/G33/F33A/F33C ILLUSTRATED PARTS CATALOG



F33A-324503-01-AA

BRAKE SHUTTLE VALVE

32-45-03
PAGE 0
JUL 01/12

Hawker Beechcraft Corporation

F33/G33/F33A/F33C ILLUSTRATED PARTS CATALOG

FIG ITEM	PART NUMBER	NOMENCLATURE 1 2 3 4 5 6 7	USABLE ON CODE	UNITS
				PER ASSY
03		BRAKE SHUTTLE VALVE	FE	
	101-388004-11	VALVE-SHUTTLE	FE	1
1	92056	.HOUSING	FE	1
2	95094	.FITTING-END	FE	2
3	MS28775-015	.PACKING-PREFORMED	FE	2
4	95103	.SPRING	FE	1
5	92112	.POPPET	FE	1
6	AN924-8D	.NUT	FE	1
7	100951DD064VC	.WASHER	FE	1
8	AN833-4D	ELBOW	FE	2
9	MS28778-4	PACKING-PREFORMED	FE	3
10	AN924-4D	NUT	FE	1
11	AN814-4D	UNION	FE	2
FE		CE0762-CE0838,CJ0139-CJ0149		

- ITEM NOT ILLUSTRATED

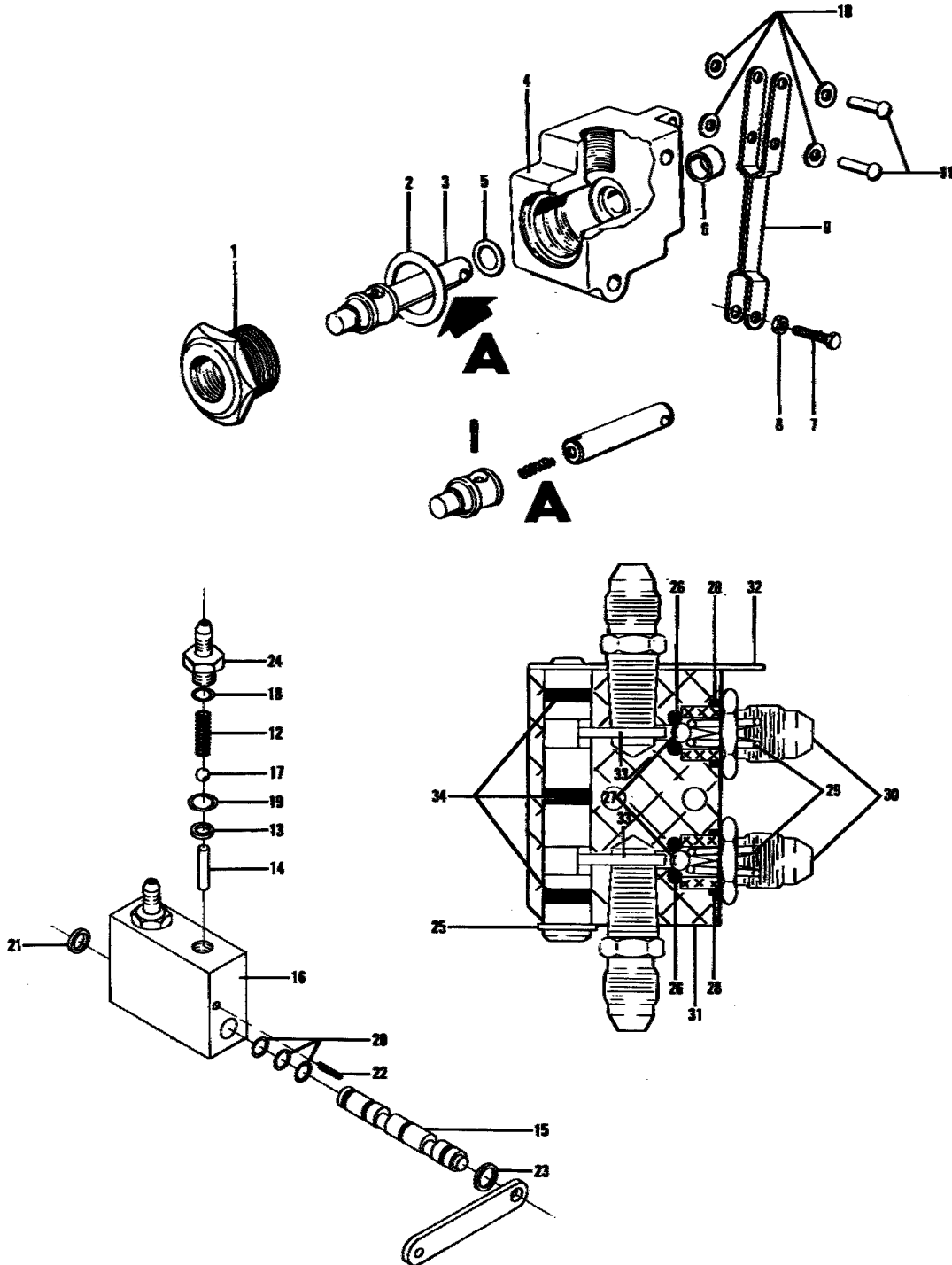
32-45-03

PAGE 1
JUL 01/12

BONANZA

Hawker Beechcraft Corporation

F33/G33/F33A/F33C ILLUSTRATED PARTS CATALOG



F33A-324601-01-AA

PARKING BRAKE VALVE

Hawker Beechcraft Corporation

F33/G33/F33A/F33C ILLUSTRATED PARTS CATALOG

FIG ITEM	PART NUMBER	NOMENCLATURE 1 2 3 4 5 6 7	USABLE ON CODE	UNITS PER ASSY
01	35-380065-1	PARKING BRAKE VALVE	FE	
	A164-669	VALVE ASSY-PARKING BRAKE	A	1
1	A164-669	.VALVE ASSY-CHECK	A	1
2	HL200	.GASKET	A	1
3	A164-454	.PISTON ASSY	A	1
4	A164-668	.BODY ASSY	A	1
5	HL338	.PACKING-PREFORMED	A	1
6	A150-126	.SPACER	A	1
7	A114-176	.SCREW	A	1
8	A115-62	.NUT-LOCK	A	1
9	A104-188	.LEVER ASSY	A	1
10	A117-133	.WASHER	A	4
11	A132-179	.PIN-COTTER	A	2
	HE7002-3	VALVE-PARKING BRAKE	B	1
12	HE1793	.SPRING	B	2
13	HE1902	.SEAL	B	2
14	HE1903	.PIN	B	2
15	HE1905-1	.LEVER ASSY-CAM	B	1
16	HE1906	.BODY-VALVE	B	1
17	7/32 DIA	.BALL-STEEL	B	2
18	AN6290-4	.PACKING-PREFORMED	B	2
19	AN6227B7	.PACKING-PREFORMED	B	2
20	AN6227B5	.PACKING-PREFORMED	B	3
21	5100-37	.RING-RETAINING	B	1
22	79-022-094-0375	.PIN-ROLL	B	1
23	HE1373	.WASHER	B	1
24	HE1900-4	.FITTING	B	2
	A850-8	VALVE-PARKING BRAKE	B	1
	21-5-125-0250	.PIN-ROLL	B	1
25	5100-37MD	.RING-SNAP	B	1
26	101-50353	.PACKING-PREFORMED	B	2
27	A1384A	.POPPET	B	2
28	101-50342	.PACKING-PREFORMED	B	2
		BOSS GASKET		
29	A1259A	.SPRING	B	2
30	A867A	.FITTING	B	2
31	A889B	.HOUSING-VALVE	B	1
32	A865A1	.CAMSHAFT ASSY	B	1
33	28420-093-10	.PIN-DOWELL	B	2
34	2-010	.PACKING-PREFORMED	B	3
A		CD1235-CD1243,CE0290-CE0301, CJ0026		
B		CD1244-CD1304,CE0302-CE0838, CJ0027-CJ0149		
FE		CD1235-CD1304,CE0290-CE0838, CJ0026-CJ0149		

- ITEM NOT ILLUSTRATED

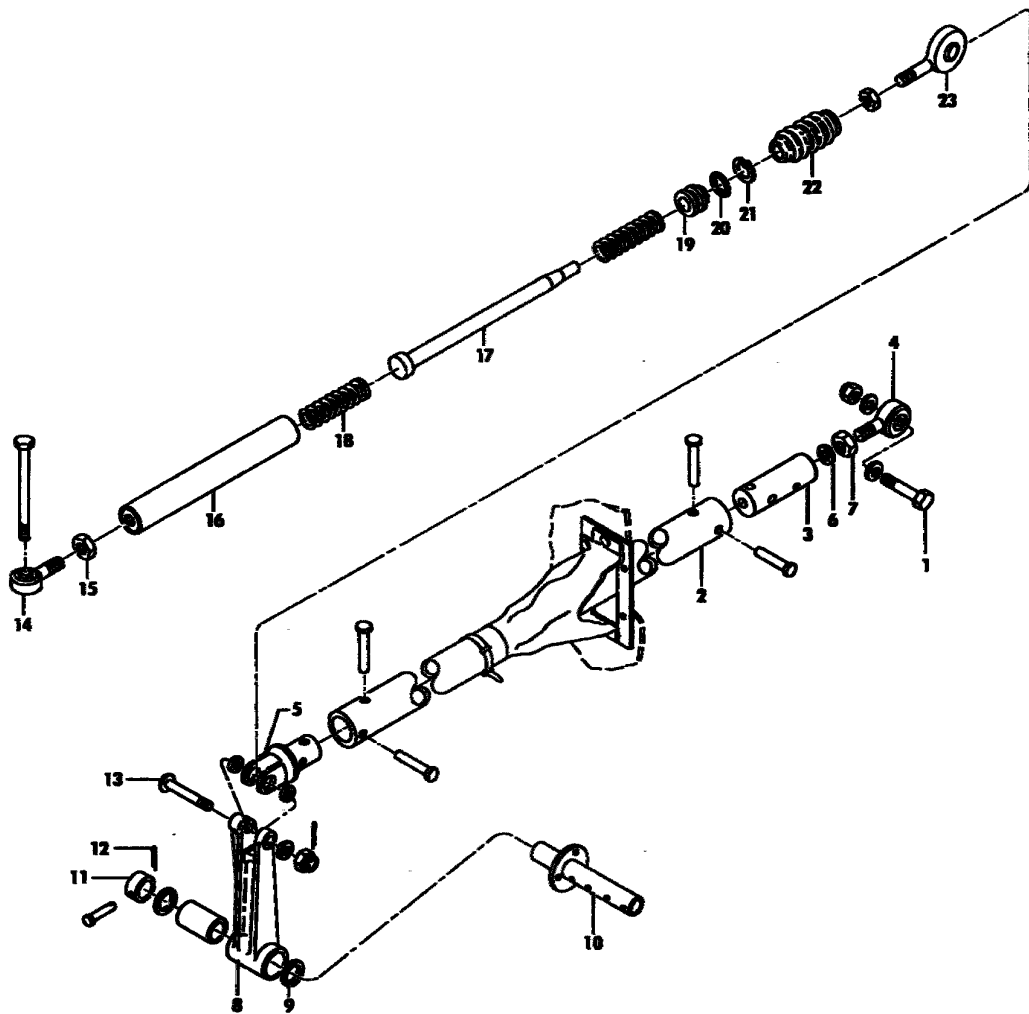
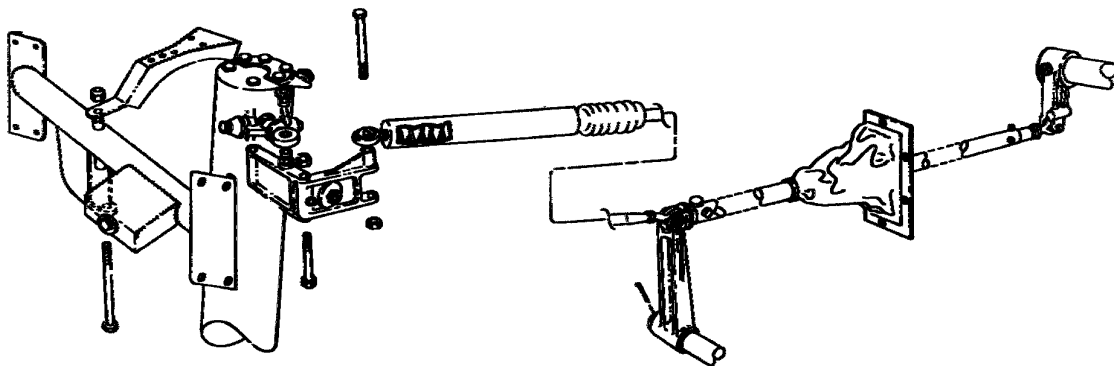
32-46-01

PAGE 1
JUL 01/12

BONANZA

Hawker Beechcraft Corporation

F33/G33/F33A/F33C ILLUSTRATED PARTS CATALOG



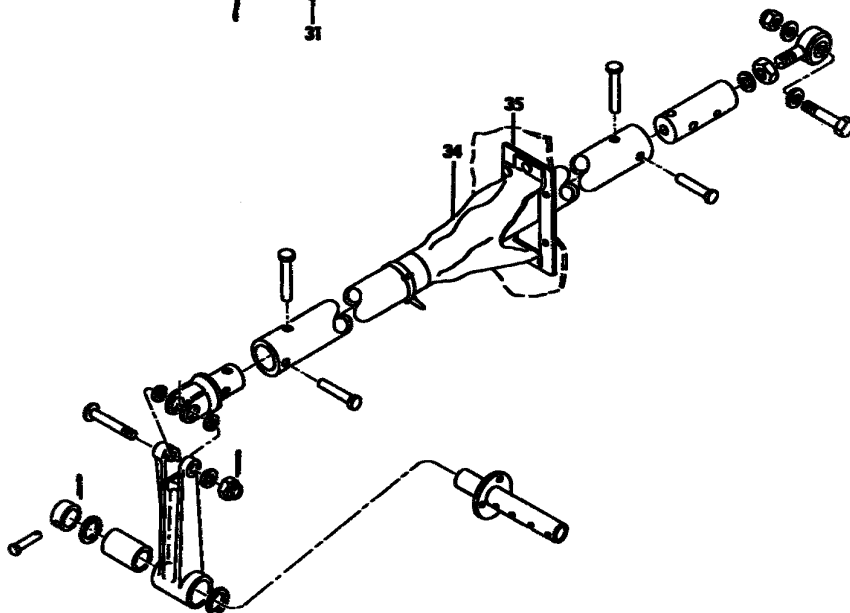
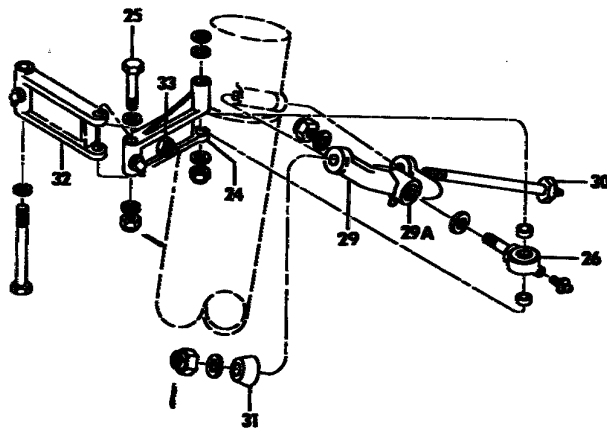
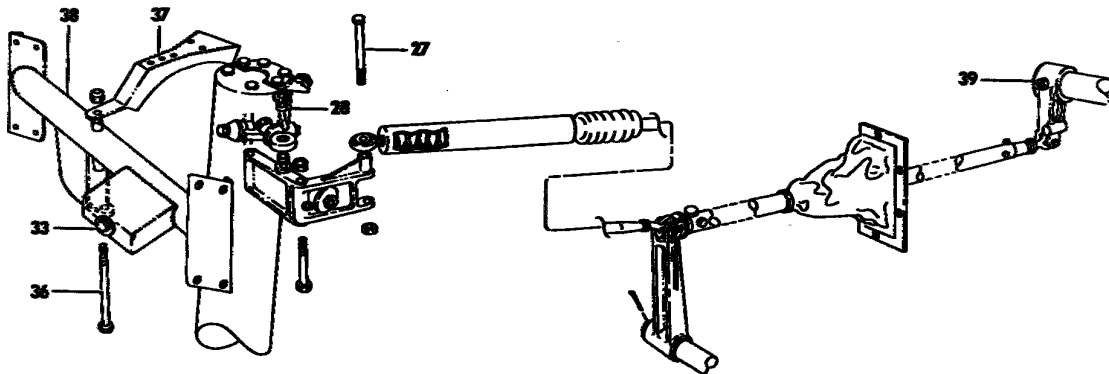
F33A-325001-01-AA

NOSE GEAR STEERING
SHEET 1 OF 2

32-50-01
PAGE 0
JUL 01/12

Hawker Beechcraft Corporation

F33/G33/F33A/F33C ILLUSTRATED PARTS CATALOG



F33A-325001-02-AA

NOSE GEAR STEERING
SHEET 2 OF 2

32-50-01
PAGE 0A
JUL 01/12

Hawker Beechcraft Corporation

F33/G33/F33A/F33C ILLUSTRATED PARTS CATALOG

PAGE INTENTIONALLY LEFT BLANK

Hawker Beechcraft Corporation

F33/G33/F33A/F33C ILLUSTRATED PARTS CATALOG

FIG ITEM	PART NUMBER	NOMENCLATURE 1 2 3 4 5 6 7	USABLE ON CODE	UNITS PER ASSY
01	35-825160	NOSE GEAR STEERING	FE	
	35-825044-4	STEERING INSTL-NOSE WHEEL	FE	RF
		.ROD ASSY-NOSE GEAR STEERING AFT	FE	1
		ATTACHING PARTS		
1	AN4-13A/M/	.BOLT	FE	1
	AN960-416	.WASHER	FE	2
	MS20365-428	.NUT	FE	1
		-----*-----		
2	35-825044-6	..TUBE	FE	1
3	35-825097	..SLEEVE	FE	1
4	MD46-15	..END-ROD	FE	1
5	35-820045	..END-AFT STEERING ROD	FE	1
6	AN960-616L	..WASHER	FE	1
7	AN316-6R	..NUT	FE	1
	35-825052	.ARM ASSY-STEERING ROD IDLER	FE	1
8	35-825052-2	..ARM-IDLER	FE	1
9	A779	..BUSHING-OILITE	FE	1
10	35-825049	.SHAFT-IDLER ARM	FE	1
11	35-825051	.COLLAR-NOSE GEAR STEERING IDLER	FE	1
	AN392-25	.PIN	FE	1
12	AN380-2-2	.PIN-COTTER	FE	1
	35-825160-602	.LINK ASSY-FLEXIBLE STEERING	FE	1
	35-825161	.LINK ASSY-FWD NOSE WHEEL	FE	1
		STEERING		
		ATTACHING PARTS		
13	AN24-25/M/	.BOLT	FE	1
	105740X-ZL0104	.BUSHING	FE	2
	AN960-416L	.WASHER	FE	3
	130909N16	.NUT	FE	1
	MS24665-132	.PIN-COTTER	FE	1
		-----*-----		
14	HM4U	..END-ROD	FE	1
15	AN316-4R	..NUT	FE	2
16	35-825165	..BARREL ASSY-NOSE WHEEL	FE	1
		STEERING		
17	35-825163	..SHAFT ASSY-NOSE WHEEL STEERING	FE	1
18	100943YD302C	..SPRING	FE	2
19	35-825164	..BEARING-FLEXIBLE STEERING LINK	FE	1
20	AN6227-13	..PACKING	FE	1
21	NAS50-87	..RING-RETAINER	FE	1
22	3686	..BOOT-	FE	1
		ALTERNATE SPARE:		
		10152		
22	10152	..BOOT-	FE	1
		ALTERNATE SPARE:		
		3686		
23	35-825162	..END-ROD	FE	1
24	35-825173	.LINK ASSY-NOSE WHEEL STEERING	FE	1
		ATTACHING PARTS		
25	NAS54-16	.BOLT	FE	1
	AN960-416	.WASHER	FE	2
	130909N7	.NUT	FE	1

- ITEM NOT ILLUSTRATED

32-50-01

PAGE 1

JUL 01/12

BONANZA

Hawker Beechcraft Corporation

F33/G33/F33A/F33C ILLUSTRATED PARTS CATALOG

FIG ITEM	PART NUMBER	NOMENCLATURE 1 2 3 4 5 6 7	USABLE ON CODE	UNITS PER ASSY
01	MS24665-132	.PIN-COTTER -----*-----	FE	1
26	50-820130-8	.EYE-NOSE STEERING SPARES REPLACEMENT FOR 35-825006 AND 50-820130-4 ATTACHING PARTS	FE	1
27	AN174-24A/M/	.BOLT	FE	1
28	35-825053	.SPACER	FE	2
	AN960-416	.WASHER	FE	3
	MS20365-428	.NUT	FE	1
		-----*-----		
29	35-825007	.YOKE ASSY-NOSE GEAR STEERING	FE	1
29A	NAS76A7-020	..BUSHING	FE	1
30	35-825005	.BOLT ASSY-STEERING YOKE ATTACHING	FE	1
31	35-825045	.STOP-NOSE WHEEL LIFT	FE	1
32	35-825035	.LINK ASSY-NOSE GEAR STEERING IDLER CROSS	FE	1
33	35-825046	.BOLT-NOSE WHEEL STOP	FE	2
	MS20364-428	.NUT	FE	1
34	35-825171-1	.BOOT-NOSE WHEEL STRAIGHTENER	FE	1
35	35-825170	.RING-NOSE WHEEL STRAIGHTENER	FE	1
36	AN174-34/M/ AN960-416 130909N7	.BOLT .WASHER .NUT	FE FE FE	1 1 1
37	35-410338	TRACK-NOSE WHEEL STRAIGHTENER	FE	1
38	35-825166-651	CHANNEL ASSY-SUPPORT SUPERSEDES 35-825166-6	A	1
	35-825166-6	CHANNEL ASSY-SUPPORT SUPERSEDED BY 35-825166-651	A	1
	35-825166-12	CHANNEL ASSY-SUPPORT	B	1
39	35-825054-5	ARM-STEERING TORQUE	FE	1
A		CD1235-CD1244,CE0290-CE0299		
B		CD1245-CD1304,CE0300-CE9999, CJ0026-CJ9999		
FE		CD1235-CD1304,CE0290-CE9999, CJ0026-CJ9999		

- ITEM NOT ILLUSTRATED

32-50-01

PAGE 2
JUL 01/12

BONANZA

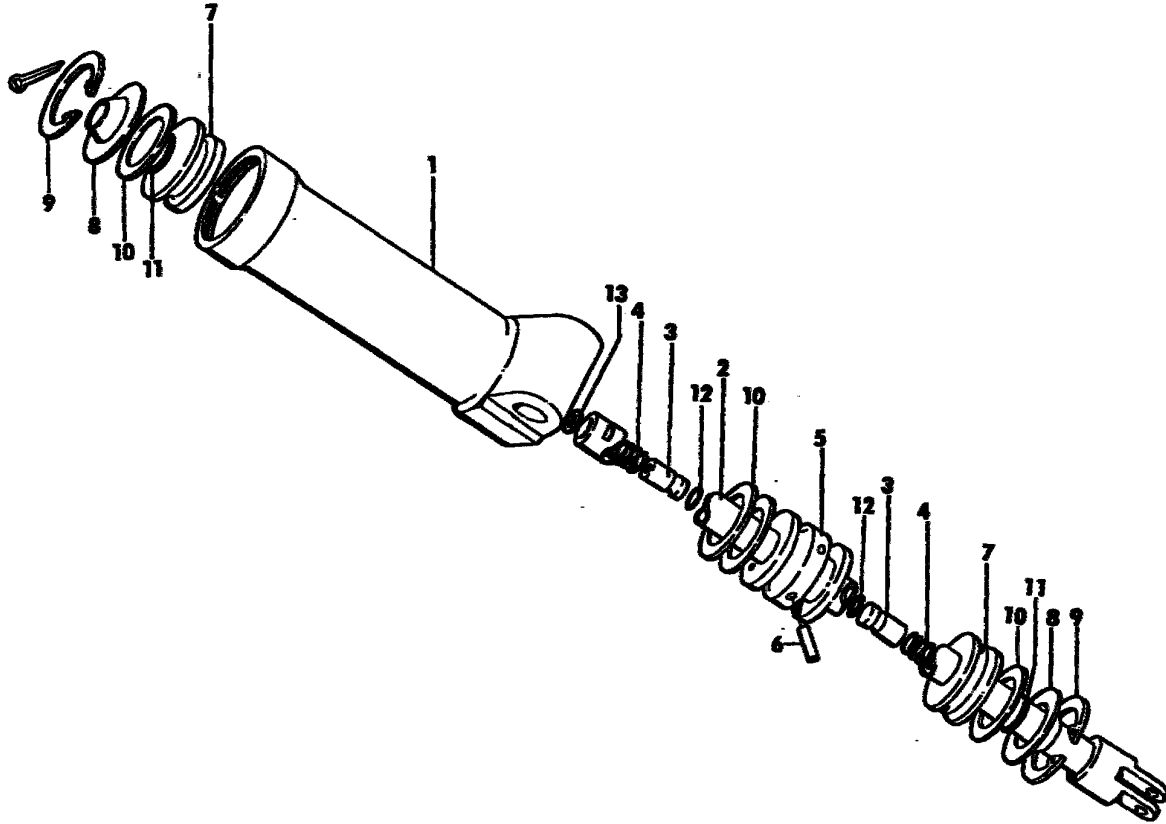
Hawker Beechcraft Corporation

F33/G33/F33A/F33C ILLUSTRATED PARTS CATALOG

PAGE INTENTIONALLY LEFT BLANK

Hawker Beechcraft Corporation

F33/G33/F33A/F33C ILLUSTRATED PARTS CATALOG



F33A-325101-01-AA

NOSE GEAR SHIMMY DAMPER

32-51-01
PAGE 0
JUL 01/12

Hawker Beechcraft Corporation

F33/G33/F33A/F33C ILLUSTRATED PARTS CATALOG

FIG ITEM	PART NUMBER	NOMENCLATURE 1 2 3 4 5 6 7	USABLE ON CODE	UNITS
				PER ASSY
01		NOSE GEAR SHIMMY DAMPER		
	35-825145	DAMPER ASSY-SHIMMY		1
1	35-825146	.BARREL-SHIMMY DAMPER		1
2	35-825148	.ROD-SHIMMY DAMPER PISTON		1
3	35-825152	.PISTON-FLOATING		2
4	100943ZE316G	.SPRING-FLOATING PISTON		2
5	35-825147	.PISTON-SHIMMY DAMPER		1
6	102809-093-026	.PIN-PISTON RETAINING		1
7	35-825151	.END-SHIMMY DAMPER		2
8	111190-14	.RING-PISTON SCRAPER		2
9	NAS50-93	.RING-INTERNAL RETAINER		2
10	AN6227-13	.PACKING-HYDRAULIC		4
11	AN6227-7	.PACKING-HYDRAULIC		2
12	AN6227-1	.PACKING-HYDRAULIC		2
13	AN960-3	.WASHER		1
	AN380-3-2	.PIN-COTTER		1

- ITEM NOT ILLUSTRATED

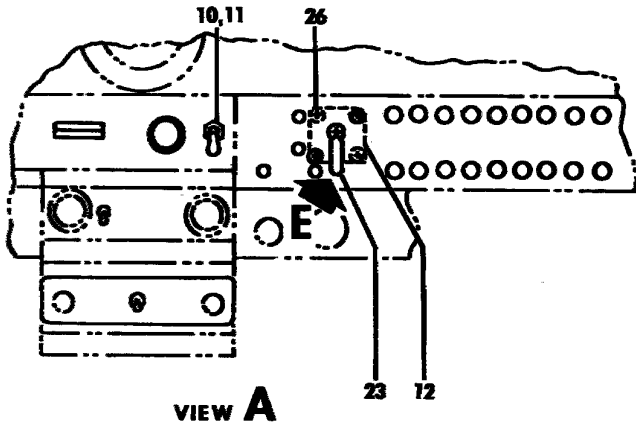
32-51-01

PAGE 1
JUL 01/12

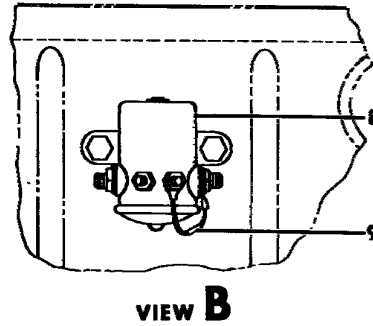
BONANZA

Hawker Beechcraft Corporation

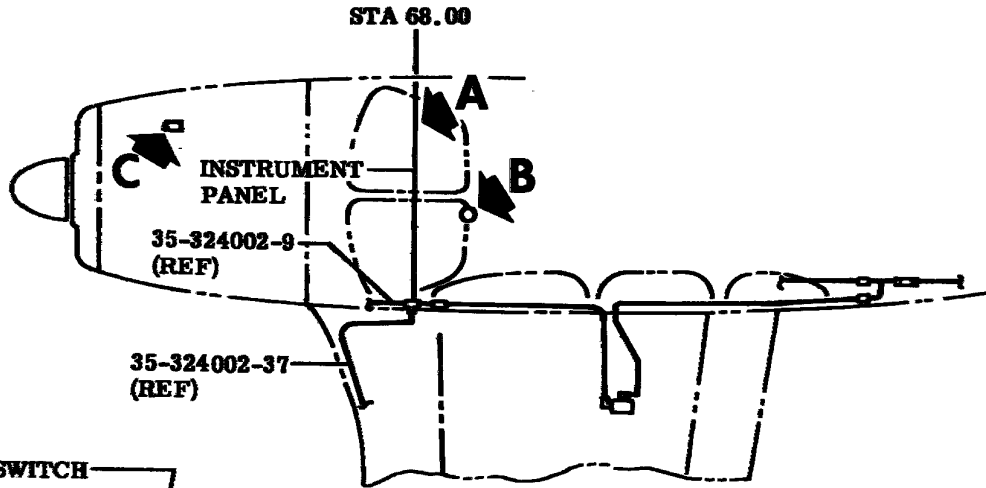
F33/G33/F33A/F33C ILLUSTRATED PARTS CATALOG



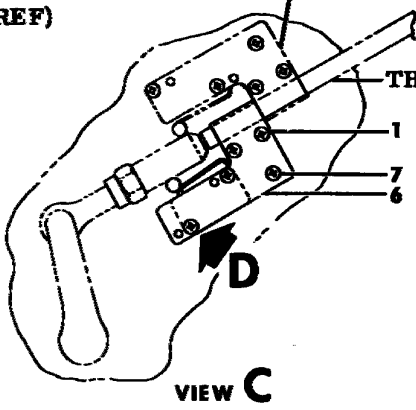
VIEW A



VIEW B

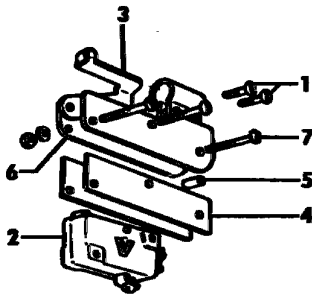


WARNING SWITCH
(REF)

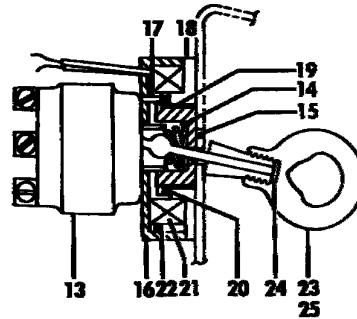


VIEW C

THROTTLE CONTROL (REF)



VIEW D



VIEW E

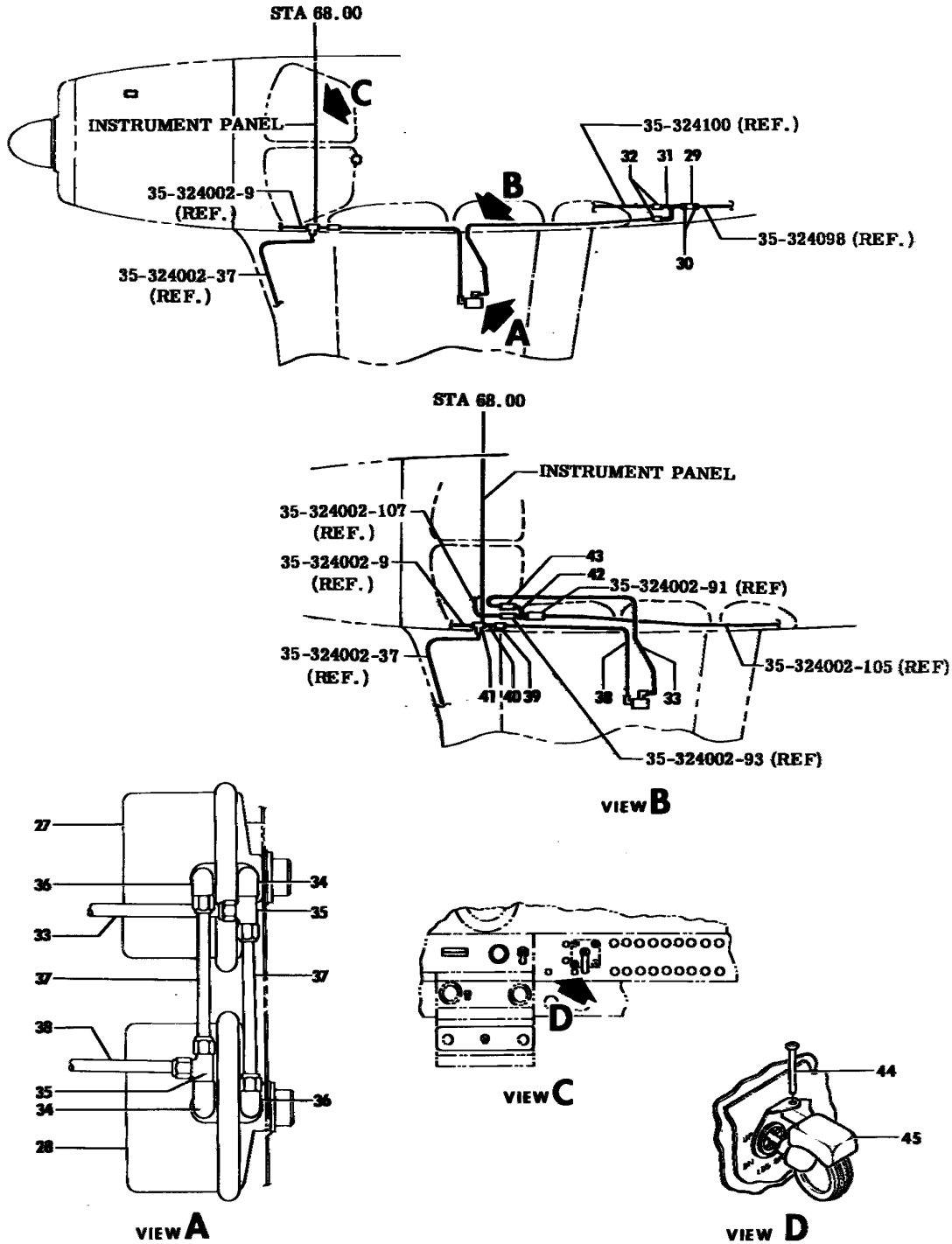
F33A-326001-01-AA

LANDING GEAR SAFETY SYSTEM
SHEET 1 OF 4

32-60-01
PAGE 0
JUL 01/12

Hawker Beechcraft Corporation

F33/G33/F33A/F33C ILLUSTRATED PARTS CATALOG



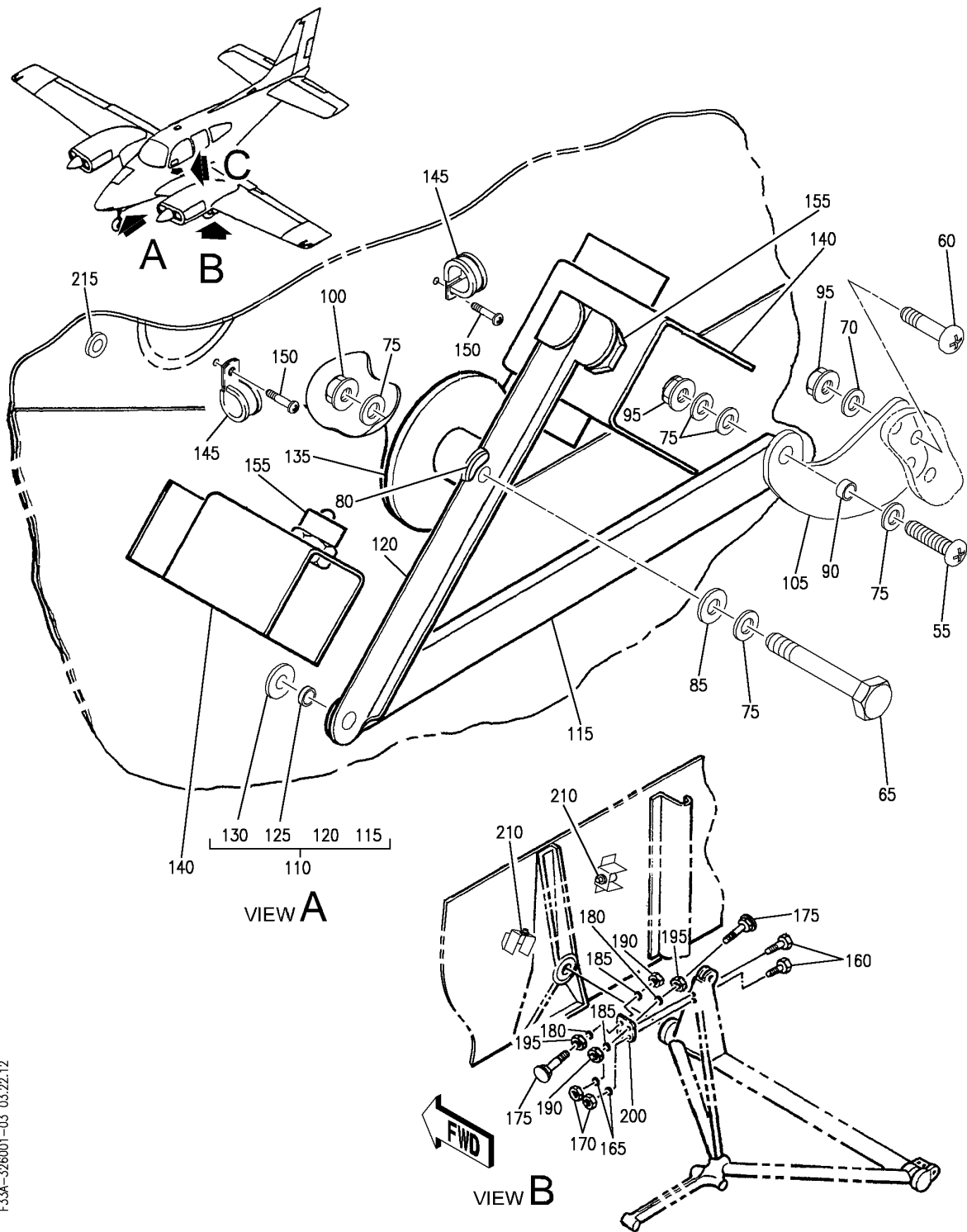
F33A-326001-02-AA

LANDING GEAR SAFETY SYSTEM
SHEET 2 OF 4

32-60-01
PAGE 0A
JUL 01/12

Hawker Beechcraft Corporation

F33/G33/F33A/F33C ILLUSTRATED PARTS CATALOG



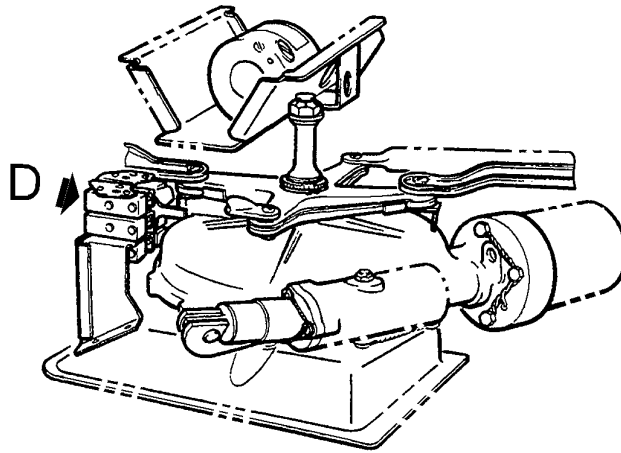
F33A-326001-03 03.22.12

LANDING GEAR SAFETY SYSTEM
SHEET 3 OF 4

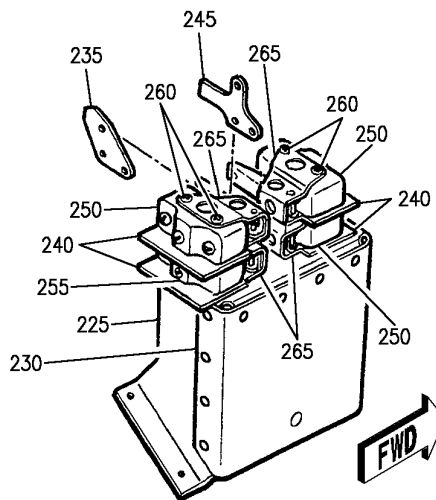
32-60-01
PAGE 0B
JUL 01/12

Hawker Beechcraft Corporation

F33/G33/F33A/F33C ILLUSTRATED PARTS CATALOG



VIEW C



VIEW D

F33A-326001-04 03.22.12

LANDING GEAR SAFETY SYSTEM
SHEET 4 OF 4

32-60-01
PAGE 0C
JUL 01/12

Hawker Beechcraft Corporation

F33/G33/F33A/F33C ILLUSTRATED PARTS CATALOG

PAGE INTENTIONALLY LEFT BLANK

Hawker Beechcraft Corporation

F33/G33/F33A/F33C ILLUSTRATED PARTS CATALOG

FIG ITEM	PART NUMBER	NOMENCLATURE 1 2 3 4 5 6 7	USABLE ON CODE	UNITS PER ASSY
01	35-364170-11	LANDING GEAR SAFETY SYSTEM EQUIPMENT INSTL-LANDING GEAR SAFETY SYSTEM	FE A	RF
	35-364170-13	EQUIPMENT INSTL-LANDING GEAR SAFETY SYSTEM	B	RF
	35-364153-606	.SWITCH ASSY-LANDING GEAR SAFETY ATTACHING PARTS	FE	1
1	AN515-4R6	.SCREW	FE	2
	AN960-4	.WASHER	FE	2
	MS20365-440	.NUT	FE	2
		-----*-----		
2	V3-1	..SWITCH-LANDING GEAR SAFETY	FE	1
3	JV5	..ACTUATOR-SWITCH	FE	1
4	35-369131	..INSULATOR-SWITCH	FE	2
5	102933D1ZA0410	..SPACER	FE	1
6	35-369124-3	..BRACKET	FE	1
7	AN515-4R12	..SCREW	FE	3
	AN960-4	..WASHER	FE	6
	MS20365-440	..NUT	FE	3
8	70-111224	.RELAY-14 VOLT	D	1
	50-380048-1	.RELAY-28 VOLT	E	1
	50-380048-3	.RELAY-14 VOLT ATTACHING PARTS	F	1
	AN3-10/M/ AN960-10 MS20365-1032	.BOLT .WASHER .NUT	FE FE FE	2 4 2
		-----*-----		
	35-361028-603	.HARNES ASSY-LANDING GEAR SAFETY SYSTEM	FE	1
9	1N4004	..RECTIFIER	FE	1
	35-380053-656	.SWITCH ASSY-LANDING GEAR SAFETY SYSTEM TEST	FE	1
10	35-380053-11	..SWITCH-LANDING GEAR SAFETY SYSTEM TEST	FE	1
11	96-384050-7	..KNOB-SWITCH	FE	1
	1N5400	.DIODE	C	1
	1N4005	.DIODE	C	2
12	35-364171-1	.SWITCH ASSY-LANDING GEAR SAFETY 14 VOLT	D	1
	35-364171-27	.SWITCH ASSY-LANDING GEAR SAFETY 28 VOLT ATTACHING PARTS	E	1
	AN507-6R8	.SCREW	FE	2
		-----*-----		
13	35-364171-7	..SWITCH	FE	1
14	35-364171-3	..SPRING	FE	1
15	35-364171-9	..LATCH-SOLENOID	FE	1
	35-364171-11	..HOUSING ASSY	FE	1
16	35-364171-21	...HOUSING	FE	1
17	35-364171-19	...PIN	FE	1
	35-364171-13	..CAP ASSY	FE	1
18	35-364171-17	...CAP	FE	1

- ITEM NOT ILLUSTRATED

32-60-01

PAGE 1
JUL 01/12

BONANZA

Hawker Beechcraft Corporation

F33/G33/F33A/F33C ILLUSTRATED PARTS CATALOG

FIG ITEM	PART NUMBER	NOMENCLATURE 1 2 3 4 5 6 7	USABLE ON CODE	UNITS
				PER ASSY
01				
19	35-364171-15	...BEARING-SLEEVE	FE	1
20	105090D050-12G	..WASHER	FE	1
21	35-380079-1	..COIL ASSY-14 VOLT	D	1
	35-380079-7	..COIL ASSY-28 VOLT	E	1
22	AN6227B27	..PACKING	FE	1
	35-364171-25	..LEVER ASSY-LANDING GEAR SWITCH	FE	1
23	118665	...LEVER	FE	1
24	35-364171-23	...SPACER	FE	1
25	AN565D8H2	...SCREW-SET	FE	1
26	AN507-632R5	..SCREW	FE	2
27	90-380010-3	.SWITCH-PRESSURE	FE	1
28	90-380010-5	.SWITCH-PRESSURE	FE	1
	35-364170-17	.BLOCK-RUB	FE	1
	AN960-1416	.WASHER-	FE	AR
		USE AS SHIMS FOR SWITCHES		
	35-324002-123	.LINES INSTL-PITOT & INSTRUMENT	FE	RF
29	35-324002-75	..HOSE	FE	1
30	AN737RM22	..CLAMP	FE	2
31	35-324002-57	..TUBE ASSY	FE	1
32	35-324392-47	..SPLICE-TUBE	FE	2
33	35-324002-71	..TUBE-STATIC LINE TO PRESSURE SWITCH	FE	1
34	AN914-1D	..ELBOW	FE	2
35	271P 1/4 X 1/8	..TEE	FE	2
36	269P 1/4 X 1/8	..ELBOW	FE	2
37	35-324002-73	..TUBE-PRESSURE SWITCH CONNECTING	FE	2
38	35-324002-49	..TUBE-PRESSURE SWITCH TO PITOT LINE	FE	1
39	35-324392-47	..SPLICE-TUBE	FE	1
40	35-324002-53	..TUBE ASSY	FE	1
41	AN824-4D	..TEE	FE	1
42	35-324002-167	..WELD ASSY	FE	1
43	35-324002-93	..SPLICE	FE	1
	435-205-104	.CIRCUIT BREAKER	G	1
	7277-2-5	.CIRCUIT BREAKER	H	1
	36-810021-1	BRACKET ASSY-LANDING GEAR SWITCH GUARD	J	1
44	36-810021-15	.PIN	J	1
45	36-810022-1	.GUARD	J	1
	36-810020-1	.SPRING	J	1
	6100-9STPA	.RING-RETAINING	J	1
	36-810021-3	.BRAZE ASSY	J	1
	58-8001-1S	KIT INFORMATION-LANDING GEAR SWITCH GUARD	FE	1
-50	58-364038-1	SWITCH INSTL-LANDING GEAR POSITION LIGHTS	FE	RF
55	MS35207-263	.SCREW	FE	1
60	MS35206-245	.SCREW	FE	2
65	130909B20	.BOLT	FE	1

- ITEM NOT ILLUSTRATED

32-60-01

PAGE 2
JUL 01/12

Hawker Beechcraft Corporation

F33/G33/F33A/F33C ILLUSTRATED PARTS CATALOG

FIG ITEM	PART NUMBER	NOMENCLATURE 1 2 3 4 5 6 7	USABLE ON CODE	UNITS PER ASSY
01				
70	AN960-8	.WASHER- ALTERNATE SPARE: NAS1149FN832P	FE	2
70	NAS1149FN832P	.WASHER- ALTERNATE SPARE: AN960-8	FE	2
75	AN960-10L	.WASHER- ALTERNATE SPARE: NAS1149F0332P	FE	5
75	NAS1149F0332P	.WASHER- ALTERNATE SPARE: AN960-10L	FE	5
80	AN960PD516L	.WASHER	FE	1
85	100951DD032YF	.WASHER	FE	1
90	102933S4ZH0093	.SPACER	FE	1
95	MS21042-08	.NUT	FE	3
100	130909N49	.NUT	FE	1
105	35-360022	.ARM-NOSE GEAR LIGHT SWITCH	FE	1
110	35-360014	.ACTUATING ARM ASSY-NOSE GEAR	FE	1
115	35-360014-3	..LINK-ACTUATOR ARM	FE	1
120	35-360014-1	..ACTUATING ARM-ACTUATOR ASSY	FE	1
125	102933-S1ZC-0060	..BUSHING	FE	1
130	AN960-4	..WASHER	FE	1
135	002-410012-5	.ARM ASSY-PIVOT	FE	1
140	002-410012-11	.BRACKET-SWITCH HOLD	FE	2
145	MS21104D6	.CLAMP	FE	2
145	MS21919DG6	.CLAMP- FOR SPARES ORDER: MS21919WDG6	FE	2
145	MS21919WDG6	.CLAMP- SPARES REPLACEMENT FOR: MS21919DG6 ATTACHING PARTS	FE	2
150	MS27039-1-09	.SCREW -----*-----	FE	2
155	1CH-25	.SWITCH-LANDING GEAR POSITION	FE	2
160	130909B15	.BOLT	FE	2
165	AN960-10	.WASHER- ALTERNATE SPARE: NAS1149F0363P	FE	2
165	NAS1149F0363P	.WASHER- ALTERNATE SPARE: AN960-10	FE	2
170	130909N49	.NUT	FE	2
175	45-361093-3	.BOLT ASSY	FE	2
180	AN935-10L	.WASHER- FOR SPARES ORDER: MS35338-43	FE	2
180	MS35338-43	.LOCKWASHER- SPARES REPLACEMENT FOR: AN935-10L	FE	2

- ITEM NOT ILLUSTRATED

32-60-01

PAGE 3
JUL 01/12

BONANZA

Hawker Beechcraft Corporation

F33/G33/F33A/F33C ILLUSTRATED PARTS CATALOG

FIG ITEM	PART NUMBER	NOMENCLATURE 1 2 3 4 5 6 7	USABLE ON CODE	UNITS PER ASSY
01				
185	AN960-10L	.WASHER- ALTERNATE SPARE: NAS1149F0332P	FE	2
185	NAS1149F0332P	.WASHER- ALTERNATE SPARE: AN960-10L	FE	2
190	130909N49	.NUT	FE	2
195	MS35650-302	.NUT	FE	2
200	000-361012-1	.ACTUATING TAB-LH	FE	1
-205	000-361012-2	.ACTUATING TAB-RH	FE	1
210	1CH-25	.SWITCH-LANDING GEAR POSITION	FE	2
215	MS35489-9	.GROMMET	FE	1
-220	95-364011	SWITCH ASSY-LANDING GEAR LIMIT	FE	1
225	35-364126-2	.BRACKET-SWITCH	FE	1
230	35-364126-4	.BRACKET-SWITCH	FE	1
235	35-364137	.PLATE	FE	1
240	35-364238	.INSULATOR	FE	4
245	95-364011-1	.TAB	FE	1
250	AN3210-1	.SWITCH	FE	3
255	BZ3AT	.SWITCH	FE	1
260	AN515-632	.SCREW	FE	4
265	35-364247	.ACTUATOR	FE	4
A		CE0290-CE9999,CJ0026-CJ9999		
B		CD1235-CD1304		
C		CE0674-CE9999,CJ0129-CJ9999		
D		CD1235-CD1304,CE0290-CE0747, CE0749-CE0771,CJ0026-CJ0148		
E		CE0748,CE0772-CE9999, CJ0149-CJ9999		
F		CE0674-CE0747,CE0749-CE0771, CJ0129-CJ0148		
G		CE0748,CE0772-CE0918, CJ0149-CJ9999		
H		CE0919-CE0929		
J		CE1000-CE9999,CJ0156-CJ9999		
FE		CD1235-CD1304,CE0290-CE9999, CJ0026-CJ9999		

- ITEM NOT ILLUSTRATED

32-60-01

PAGE 4
JUL 01/12