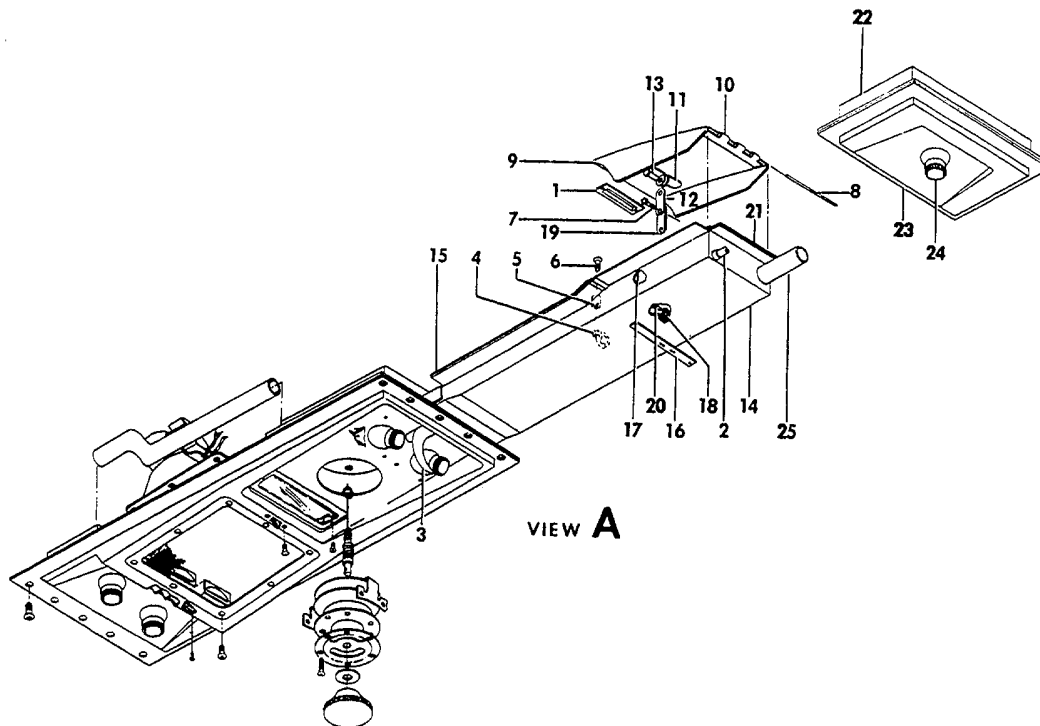
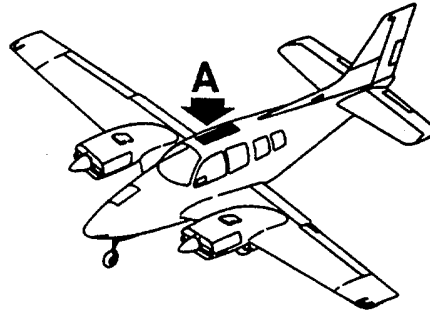


B E E C H C R A F T
BARON SERIALS TC-1 THRU TC-1607, TE-1 THRU TE-937, TE-939 THRU TE-942
I L L U S T R A T E D P A R T S C A T A L O G



VIEW A

55-147-14

B E E C H C R A F T
 BARON SERIALS TC-1 THRU TC-1607, TE-1 THRU TE-937, TE-939 THRU TE-942
 I L L U S T R A T E D P A R T S C A T A L O G

ATA CODE & INDEX NO.	PART NO.	DESCRIPTION	UNITS							USABLE ON CODE
			1	2	3	4	5	6	7	
22-01	35-550562-35	DUCT INSTL,FRESH AIR/STD 4 AIR VALVES/							NP	1
	35-550562-33	DUCT INSTL,FRESH AIR/OPT 5 AIR VALVES/							NP	1
- 1	35-550562-97	. STRIP,STALL							1	1
- 2	35-550562-21	. TUBE,DRAIN.							1	1
- 3	95-380007	. CONTROL ASSY,PUSH PULL.							1	1
		/ATTACHING PARTS/								
- 4	AN742-4	. CLAMP							1	
- 5	1006960-ZV014	. SPACER							1	
- 6	AN515-10R	. SCREW							1	
	AN960-10	. WASHER							1	
	MK1000-1032	. NUTPLATE							1	
- 7	35-550532-85	. BOLT							1	
	AN960-10	. WASHER							2	
	AN393	. NUT							1	
	35-550562-601	. SCOOP ASSY,FRESH AIR.							1	2
	35-550562-607	. SCOOP ASSY,FRESH AIR.							1	3
		/ATTACHING PARTS/								
- 8	AN253-2-375	. PIN,HINGE							1	1
		↓								
- 9	35-550562-51	. SCOOP							1	1
- 10	35-550562-91	. HINGE/SUPERSEDES 35-550562-42/							1	1
- 11	AN743-13	. BRACKET							2	1
	35-550562-45	. ARM,AIR SCOOP							1	1
- 12	35-550562-87	. LINK,AIR SCOOP.							1	2
		/ATTACHING PARTS/								
- 13	AN393	. PIN							1	
	AN960-10	. WASHER							1	
	AN380-2-2	. PIN,COTTER.							1	
		↓								
	35-550562-603	. DUCT ASSY,FRESH AIR/OPT 5 AIR VALVES/							1	2
	35-550562-609	. DUCT ASSY,FRESH AIR/OPT 5 AIR VALVES/							1	3
	35-550562-65	. DUCT ASSY,FRESH AIR/STD 4 AIR VALVES/							1	1
	35-550562-37	. PAN/USED WITH STD 4 AIR VALVES/							1	1
- 14	35-550562-39	. PAN/USED WITH OPT 5 AIR VALVES/							1	1
- 15	35-550562-61	. COVER							1	1
- 16	35-550562-43	. PLATE							1	1
- 17	35-550562-67	. PAD							2	1
- 18	AN743-13	. BRACKET							2	1
- 19	35-550562-87	. LINK.							1	1
		/ATTACHING PARTS/								
- 20	AN393	. PIN							1	
	AN380-2-2	. PIN,COTTER.							1	
		↓								
- 21	35-550562-41	. HINGE,HALF.							1	1
	95-554036-71	. DUCT ASSY,FRESH AIR/OPT 5TH AIR VALVE/							1	4
	95-554036-75	. DUCT ASSY,FRESH AIR/OPT 5TH AIR VALVE/							1	5
	95-554036-67	. COVER/OPT 5TH AIR VALVE/							1	4
- 22	95-554036-77	. COVER/OPT 5TH AIR VALVE							1	5
- 23	95-554036-69	. PAN/OPT 5TH AIR VALVE/							1	1
- 24	B2120-501	. VALVE,FRESH AIR/OPT 5TH AIR VALVE/							1	1
		/ATTACHING PARTS/								
	NAS384-8-6	. SCREW							4	
	A1778-8Z1	. NUT							4	
		↓								
- 25	35-550562-59	. TUBE,FRESH AIR/OPT 5TH AIR VALVE/							1	1