

MAINTENANCE INFORMATION AND ILLUSTRATED PARTS BREAKDOWN

for LANDING GEAR MOTOR
Part Number 50-380114 and 50-810146 used on

Beechcraft

MODEL 65, 80, and 88 QUEEN AIRS
MODEL 50 TWIN BONANZAS
MODEL 90 KING AIRS



PUBLISHED BY
PARTS AND SERVICE OPERATIONS BEECH AIRCRAFT CORPORATION WICHITA, KANSAS 67201

with permission of LAMB ELECTRIC
A division of AMETEK, INC.
Kent, Ohio

98-33694
OCTOBER 1972

MOTOR DATA

Rated Voltage - 28 vdc, motor shall operate at 30 vdc maximum and 22 minimum.

Horsepower - .7

Torque - Approximately 15 inch pounds at 3000 rpm.

Weight - 8 pounds, 14 ounces.

Continuous Duty Cycle - One extend - one retract cycle: 10 seconds clockwise, 5 minutes off, 10 seconds counter-clockwise, 5 minutes off.

Type - Series-wound, split field.

Brush replacement - 5/16 inch, new brush length - 11/16 inch.

MAINTENANCE DATA

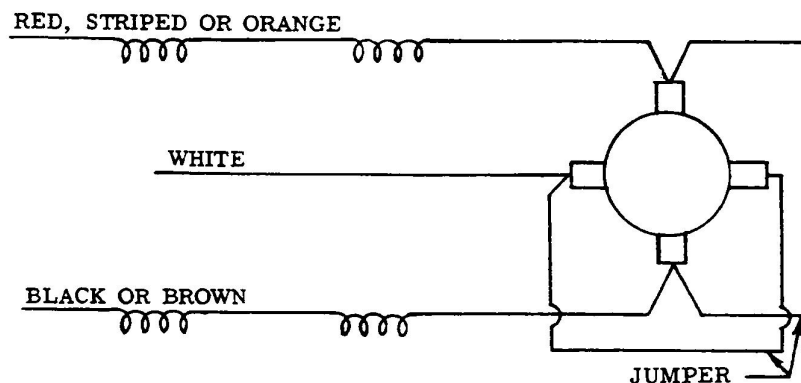
Brushes - The brushes are 11/16 inch long when new, replace them when they have worn to 5/16 inch. Preseat prior to assembly.

Commutator - A new commutator measures 1-3/4 inch in diameter, redress the commutator every other brush replacement.

Armature - Replace the armature when worn to 1-11/16 inch diameter.

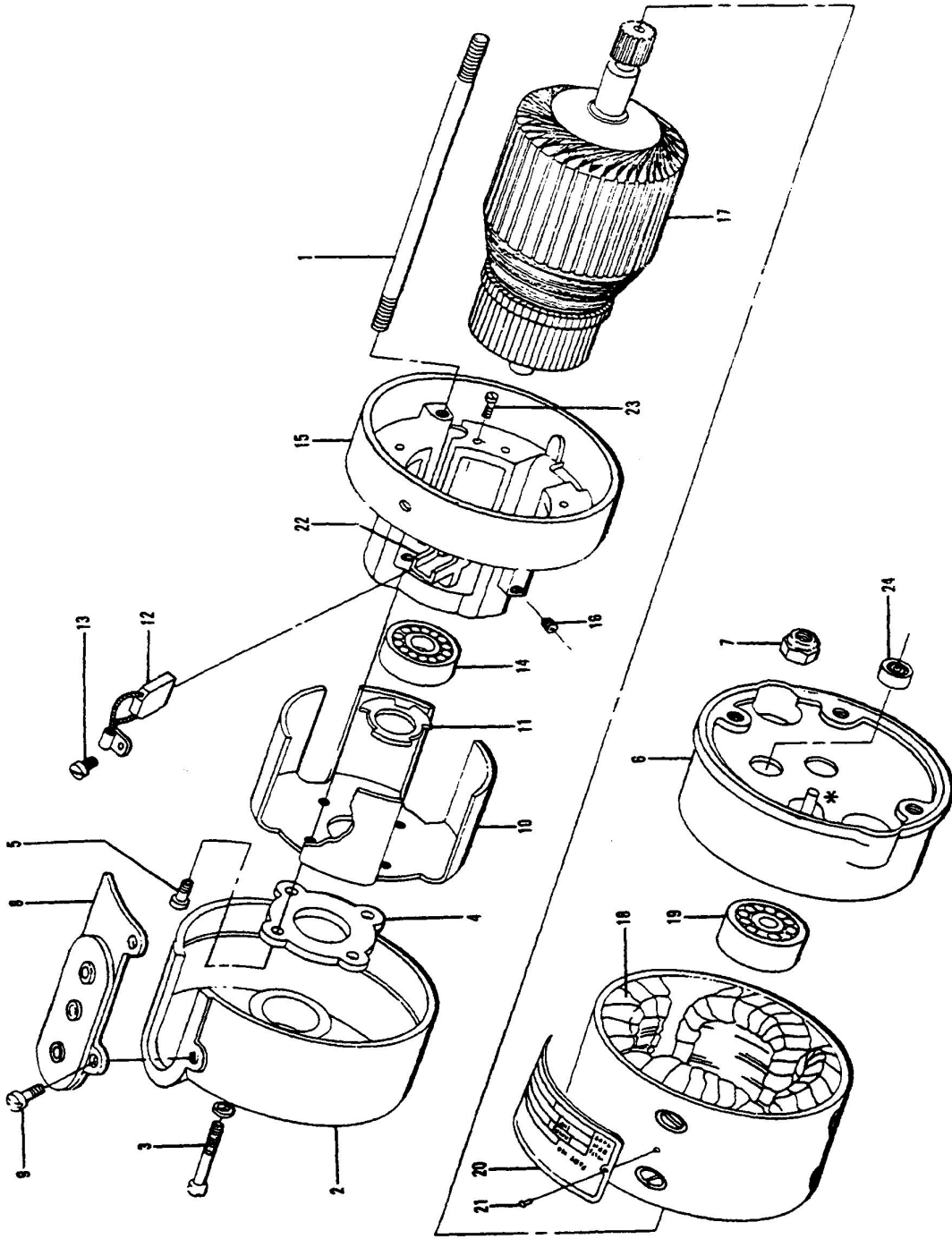
Bearings - Replace the bearings at each disassembly of the motor. Install the bearings with the flush face toward the inside of the motor. Lubricate the bearings with MIL-G-23827 grease.

ELECTRICAL DATA



Electrical Wiring Schematic

The split field in the series-wound motor allows the motor to drive in either direction. The electric connections for shaft rotation (facing the pinion gear) are: Counter clockwise, red and white leads to the line; clockwise, black and white leads to the line.



*NOTE: A STUD OR DOWEL PIN MAY BE PRESENT AT THIS LOCATION

INDEX NUMBER	PART NUMBER	DESCRIPTION	UNITS PER ASSEMBLY
	50-380114	Motor Assy.	1
	50-810146	Motor Assy.	1
1	20-7880	Stud	3
2	10-3744	Cover, End	1
3	40-7825	Screw	2
	7817	Washer, Lock	2
4	10-3745	Cap, Hub	1
5	7821	Screw	2
6	22267A	Bracket Assy.	1
7	7451	Nut	2
8	20-4046	Saddle	2
9	20-7831	Screw	4
10	0-5459	Gasket	1
11	4465	Load Spring	1
12	10-5906	Brush	4
	0-5849	Spring, Brush	4
13	AN501AB10-5	Screw	4
14	10-7654	Bearing	1
	77500XIE	Bearing/Alternate for 10-7654	1
15	22269A	Bracket Assy, Commutator	1
16	AN565B1032L3	Screw, Set	2
17	IS14394A	Armature/Supersedes 32619A	1
18	315386	Field/Supersedes 27498A	1
19	30-7602	Bearing	1
	CWC87013X1E	Bearing/Alternate For 30-7602	1
20.	20-8057	Plate Identification (Used On 50-380114)	1
	20-8027	Plate Identification (Used On 50-810146)	1
21	8058	Drive Pin	2
22	0-5506	Holder, Brush	4
23	20-7848	Screw	8
24	M471	Bearing	1
	50-810146-2	Kit, Brush Repair/Brushes, Springs, & Screws	1
	50-810146-4	Kit, Motor Overhaul	1