

BEECH JACK

- Plans
- Materials List

For additional copies, contact:

N.W.C.S.

P.O. Box 8130

Coburg, OR 97401

503/995-8356

Beech Jack

Materials List:

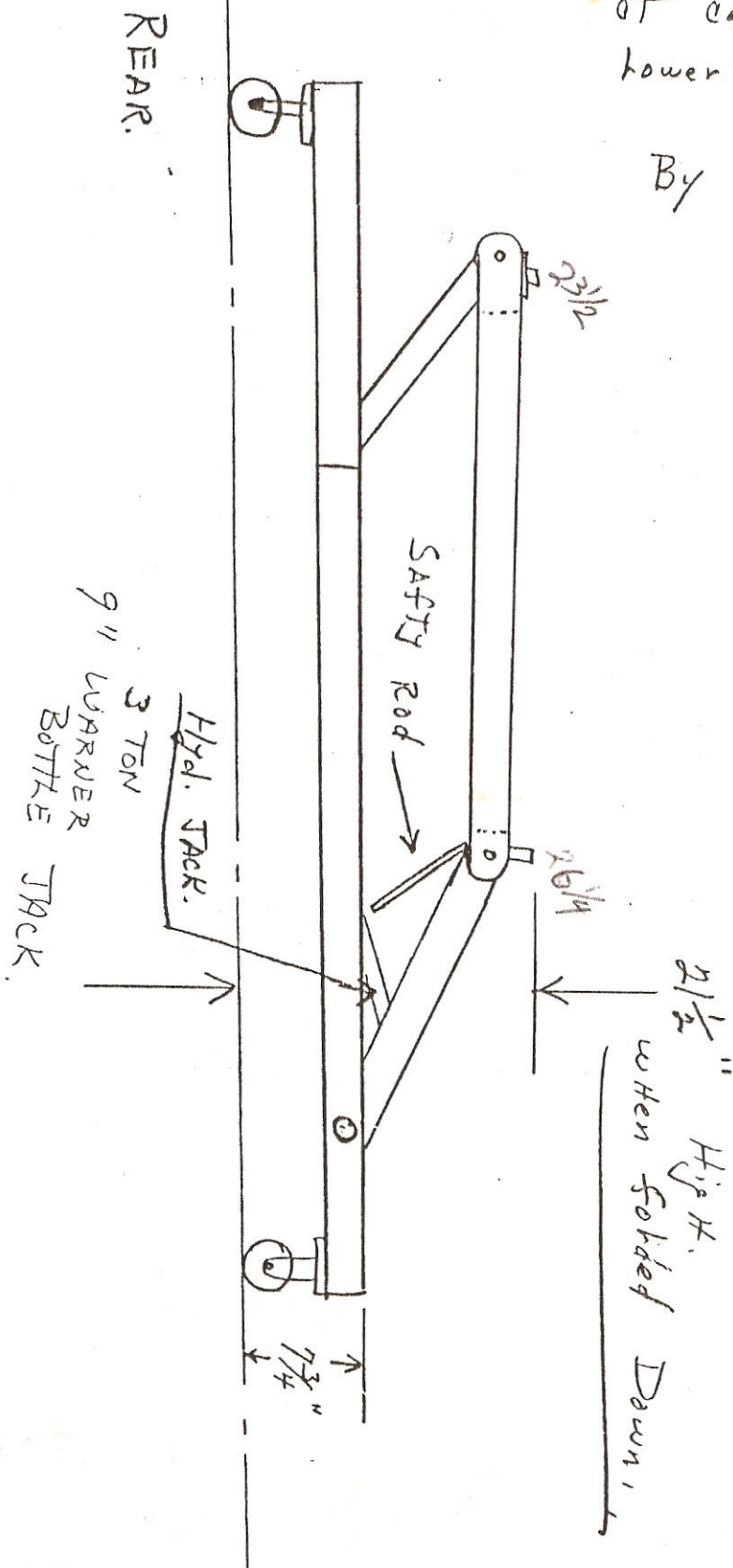
drawing reference	quantity	size	name
A	2	46" x 2½" x 2½"	1/4" square tube (forward base legs)
B	2	45 1/2" x 2½" x 2½"	1/4" square tube (base cross beams)
C	2	39 1/2" x 2½" x 2½"	1/4" square tube (rear base beams)
D	2	3 ½" (minimum) x 2 x 1/8"	angle (leveler arm bracket)
E	1	44 3/4" x 2 ½" x 2 ½" x 1/4"	square tube (lifting arm cross beam)
F	1	44 3/4" x 1 ½" x 1/8"	square or round tube (top lifting arm beam)
G	2	27" x 3" x 3/8"	flat plate (lifting arm side plate)
H	2	47" x 3" x 3/8"	flat plate (yoke) (47" specified, I used 48")
I	1	25½" x 3" x 3/8"	flat plate (rear leveler arm) (25½" specified, I used 26 1/2")
J	2	3 ½" x 1"	shafting or rod (Jack Points)
K	1	22" x 3/4"	rod (Safety rod)
L	4	1 3/4" x 1 3/4" x 3"	1/4" angle (hydraulic jack base)
L-1	1	1 3/4" x 1 3/4" x 3"	1/4" angle
L-2	2	1 3/4" x 1 3/4" x 2 ½"	angle
M	1	4" x 4" x 1/4"	angle (rear fuselage fitting)
N	1	3" x 3/8" or 1/4"	plate (rear fuselage fitting side reinforcement)
O	1	4" x 2 ½" x 1/4"	(lifting arm jack point)
P	1	4" X 1" x 1/8"	strap (lifting arm jack point)
	2		straight wheels (of appropriate weight bearing strength)
	1		caster wheel (of appropriate weight bearing strength)
	1		hydraulic 3 ton capacity jack 9" high
			(all bolts grade 8)
	2		½" x 1" grip bolts
	1		¾" x 1" grip bolt
	1		¾" x 1 ½" grip bolt
	2		¾" x 2 5/8" bolts
	2		½" x ¾" bolts
	4		½" nuts
	4		¾" nuts
			½" washers
			¾" washers
	4		3/16" x 1" bolts and nuts

Primer and Paint to suit.

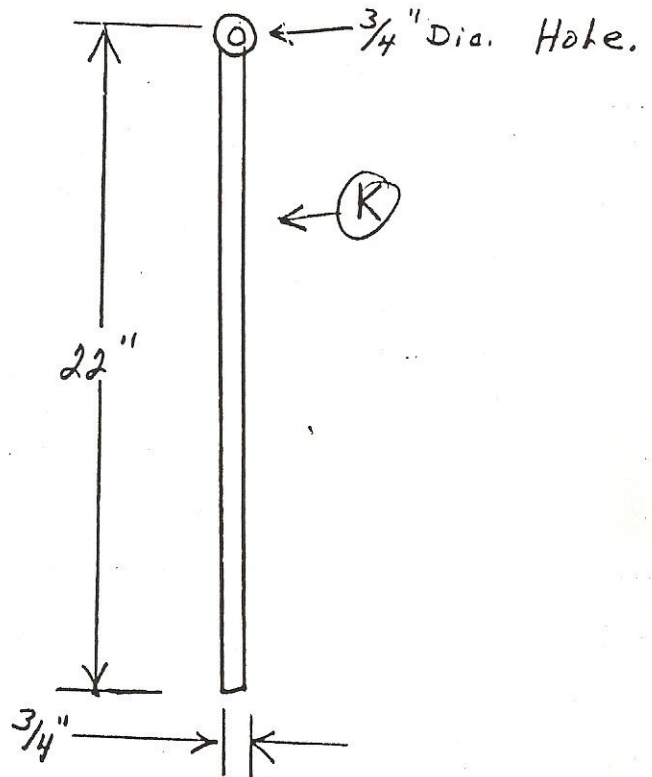
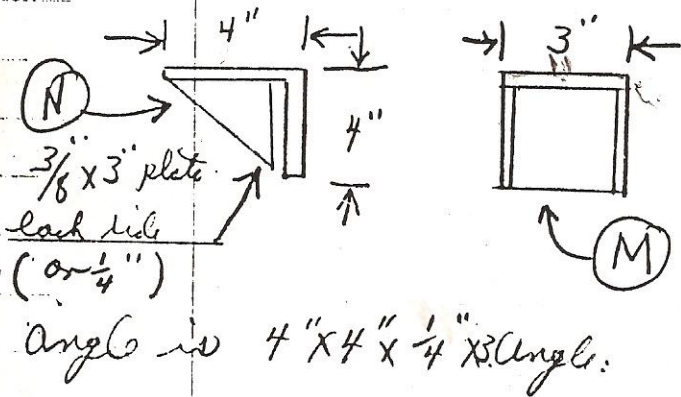
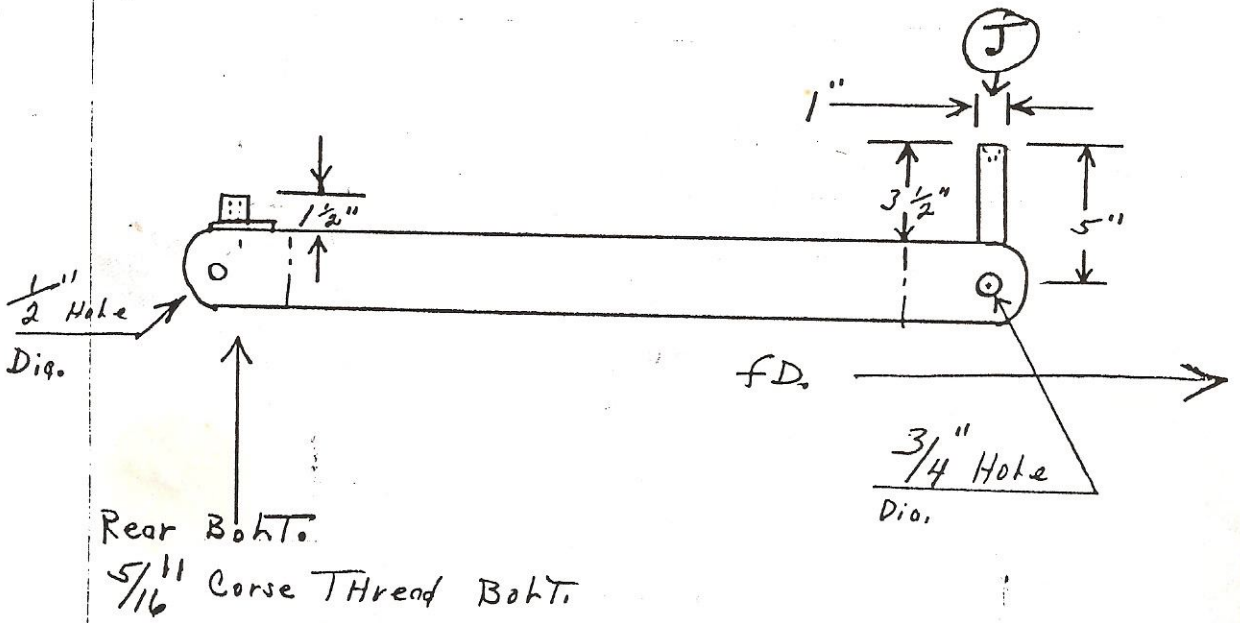
Profile of Complete Jack.

Note. all Holes Bored
at center of item except
lower lever arm attachment.

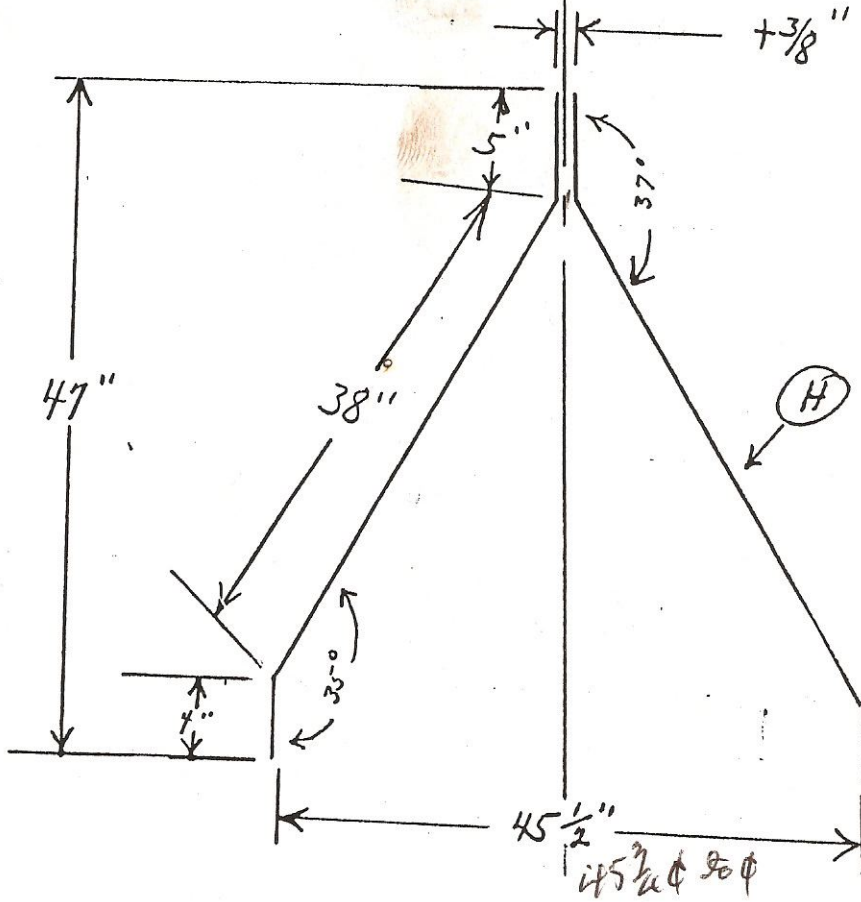
By LARRY DAVIS
1945



Yoke + Lifting Points.

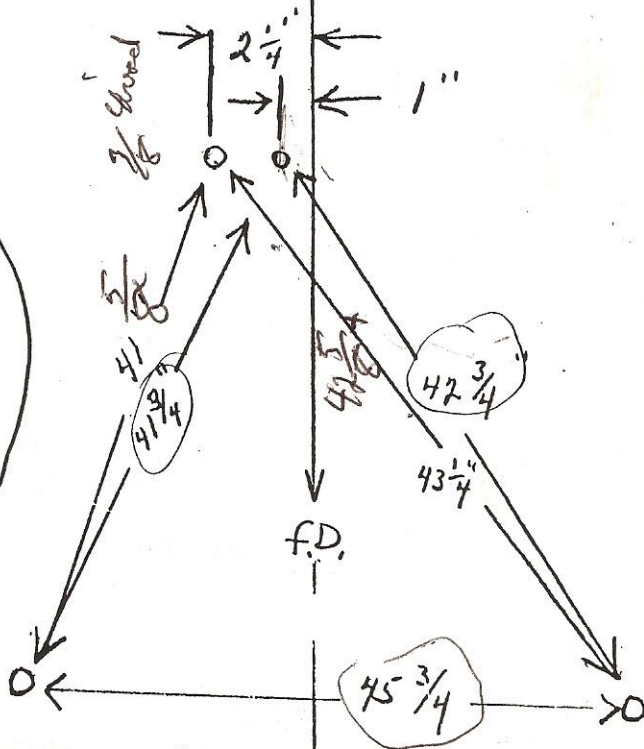


yoke.

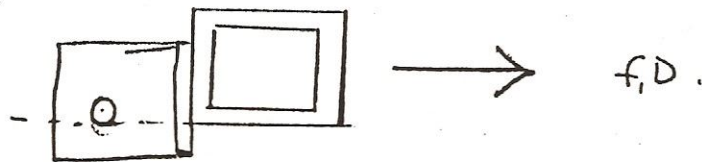
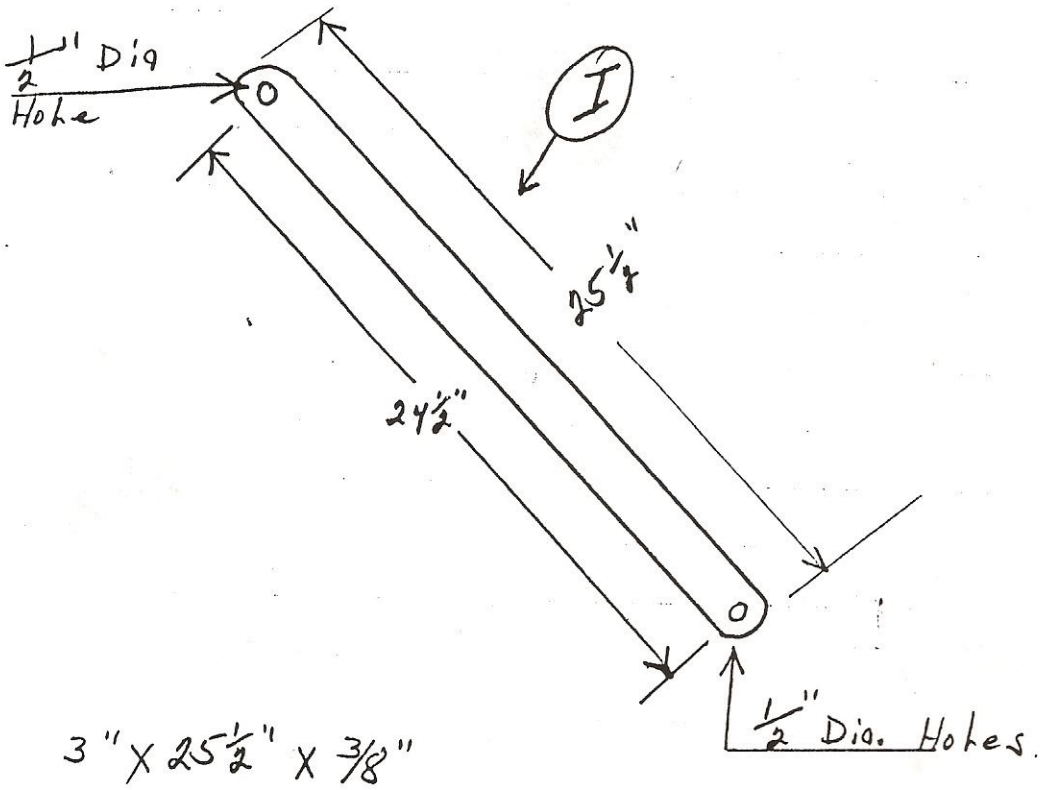


3" x 47" x 3/8"

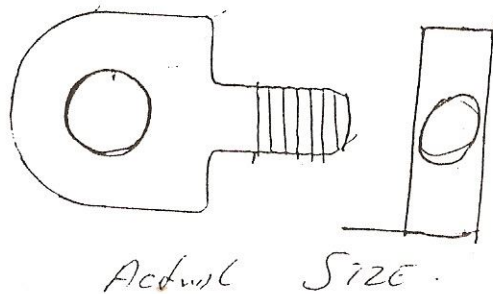
Rear threaded hole in fuselage is not on centerline of airplane

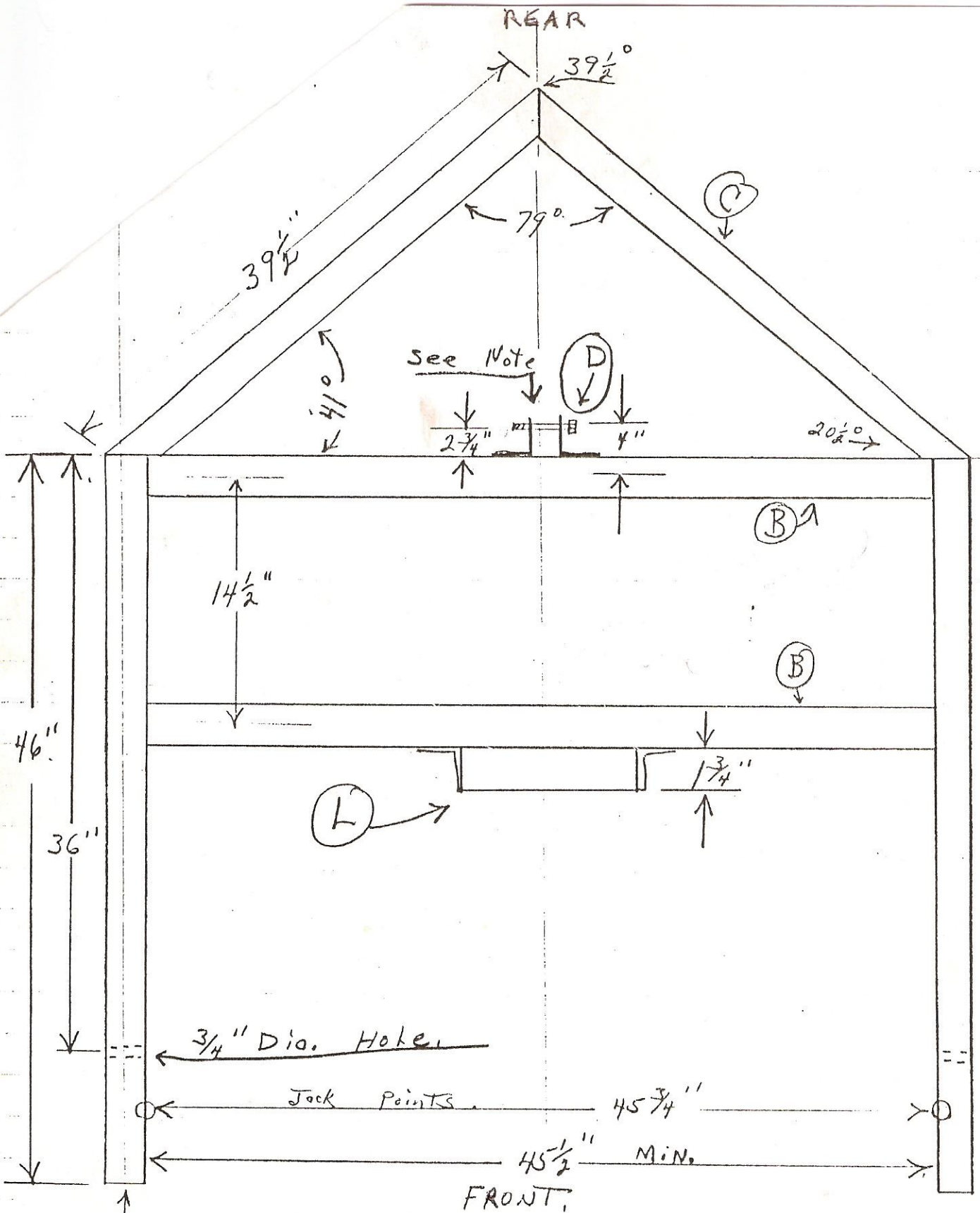


Rear Leveler Arm.

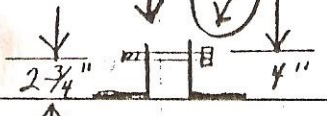


Rear Attachment for Jack.





See Note



20 1/2 degrees

14 1/2"

(L)

(B)

(B)

(A)

3/4" Dia. Hole

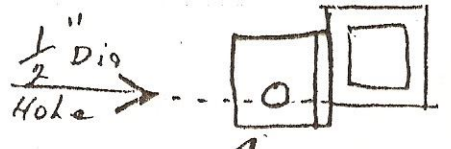
Jack points

45 3/4"

45 1/2" Min.

FRONT

Note - Hole at Bottom of Beam. approx.

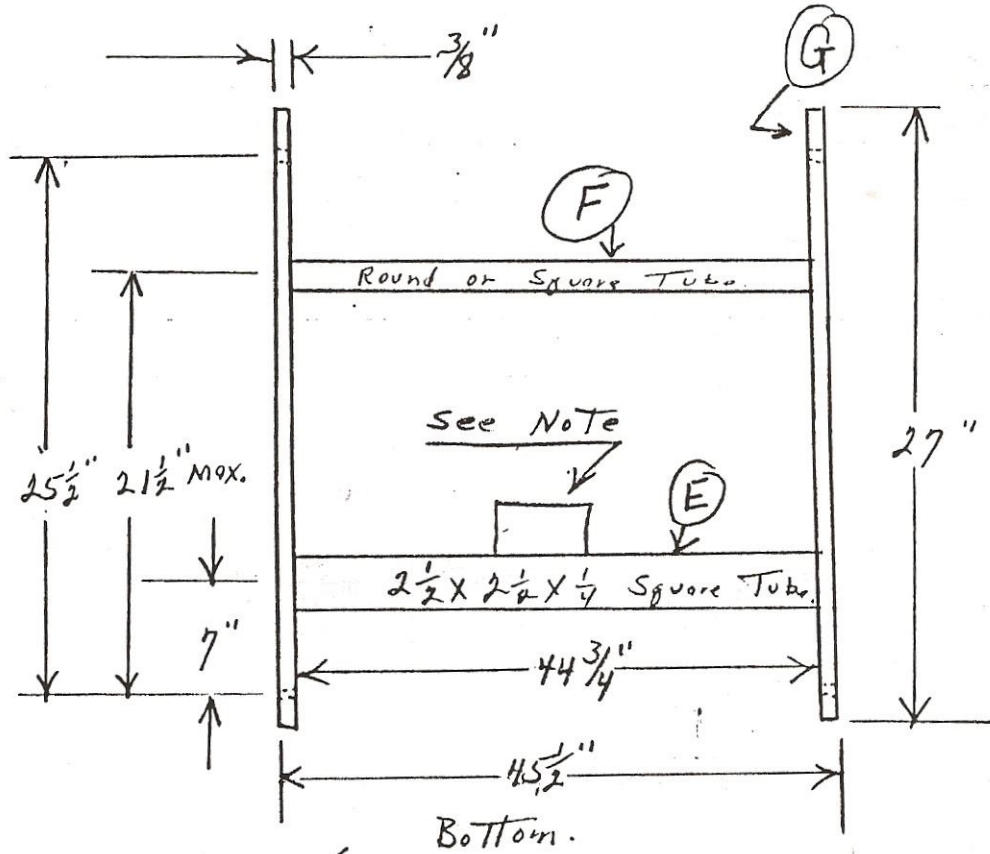


1/2" Dia. Hole

(D)

2 1/2" X 2 1/2" X 1/4" Square Tube.

Lifting Arm.



$7 \frac{3}{4}$
 $1 \frac{1}{4}$
 $6 \frac{1}{2}$

