

1027
2 X 3/4 X 10 Bolt
1006 Washer
1006 Washer
1003 Nut

2.375 Bolt
1017
Washer
1006
Washer
1006
Nut
1003

2.125 X 3/4 X 10
1011 Bolt
Washer
1006
arm
1024
Washer
1006
Washer
1006
Nut
1006
1006

1027
4.5 X 3/4 Bolt
1006 Washer
1036 arm
1026 Washer
1003 Nut
1006 Washer

1027
2 X 3/4 Bolt
1006 Washer
1006 Washer
1003 Nut

1007 Washer
1006 Washer
3 X 3/4 X 10 Bolt
1008
Nut
1006

1006 Washer
1006 Washer
1003 Nut
1002 Bolt
5.260 X 3/4 X 10 Bolt
1006

1027
4.5 X 3/4 Bolt
1006 Washer
1036 arm
1006 Washer
1003 Nut
1006 Washer

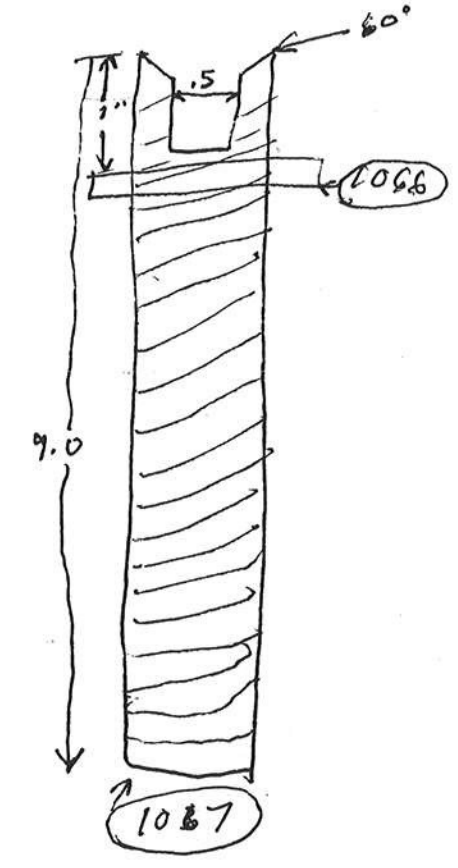
2.375 X 3/4 X 10 Bolt
1017
Washer
1006
Washer
1006
Nut
1003

2.125 X 3/4 X 10
1011 Bolt
Washer
1006
arm
1024
Washer
1006
arm
1012
Washer
1006
Washer
1006
Nut
1003

3 X 3/4 X 10 Bolt
1008
1006 Washer
1007 Washer
1006 Nut

5.260 X 3/4 X 10 Bolt
1002 Nut
1003
1006 Washer
1006 Washer

3/4 Bolts + Washers 1003



1039

1032

64

64

1066

1087

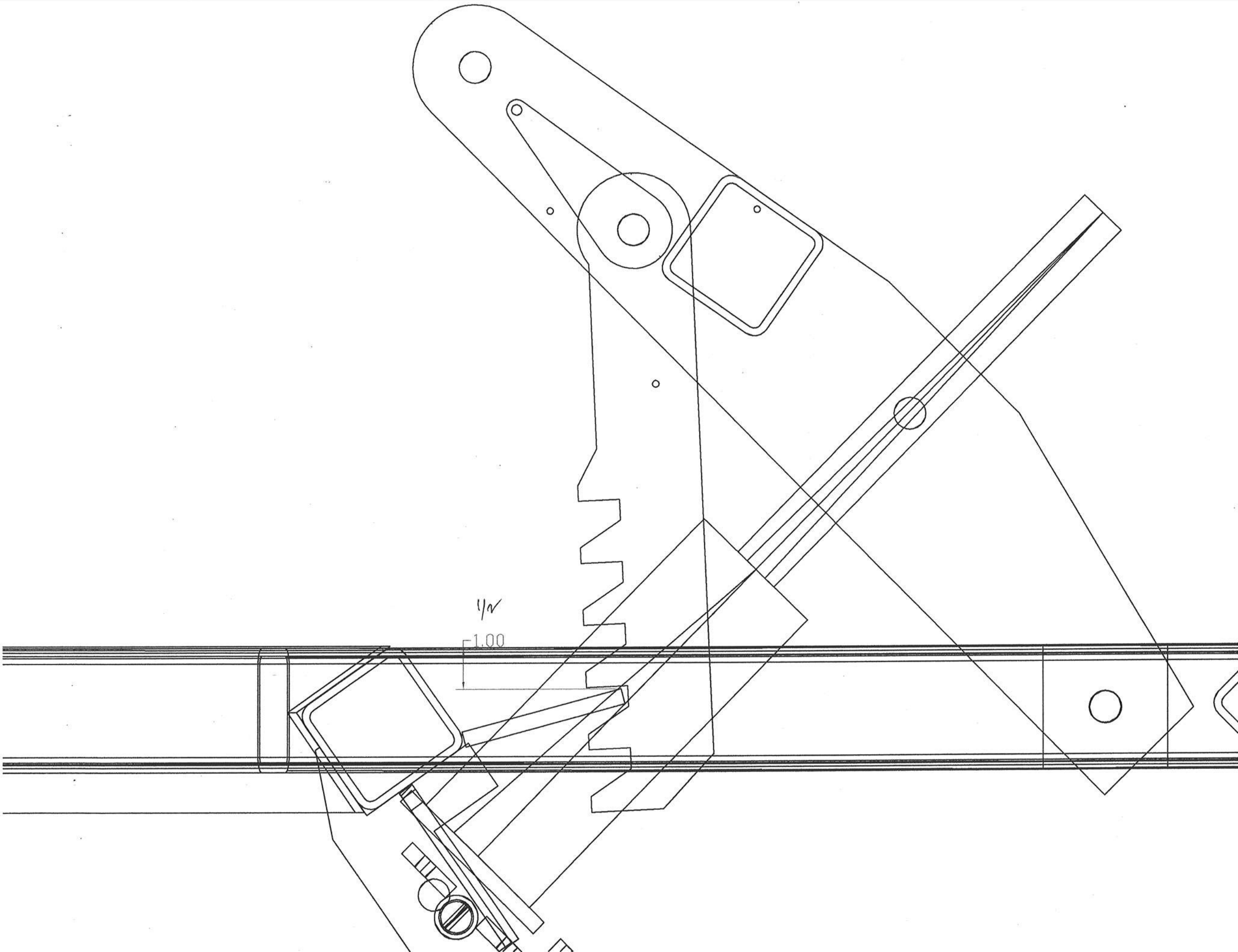
1037

1037

1033

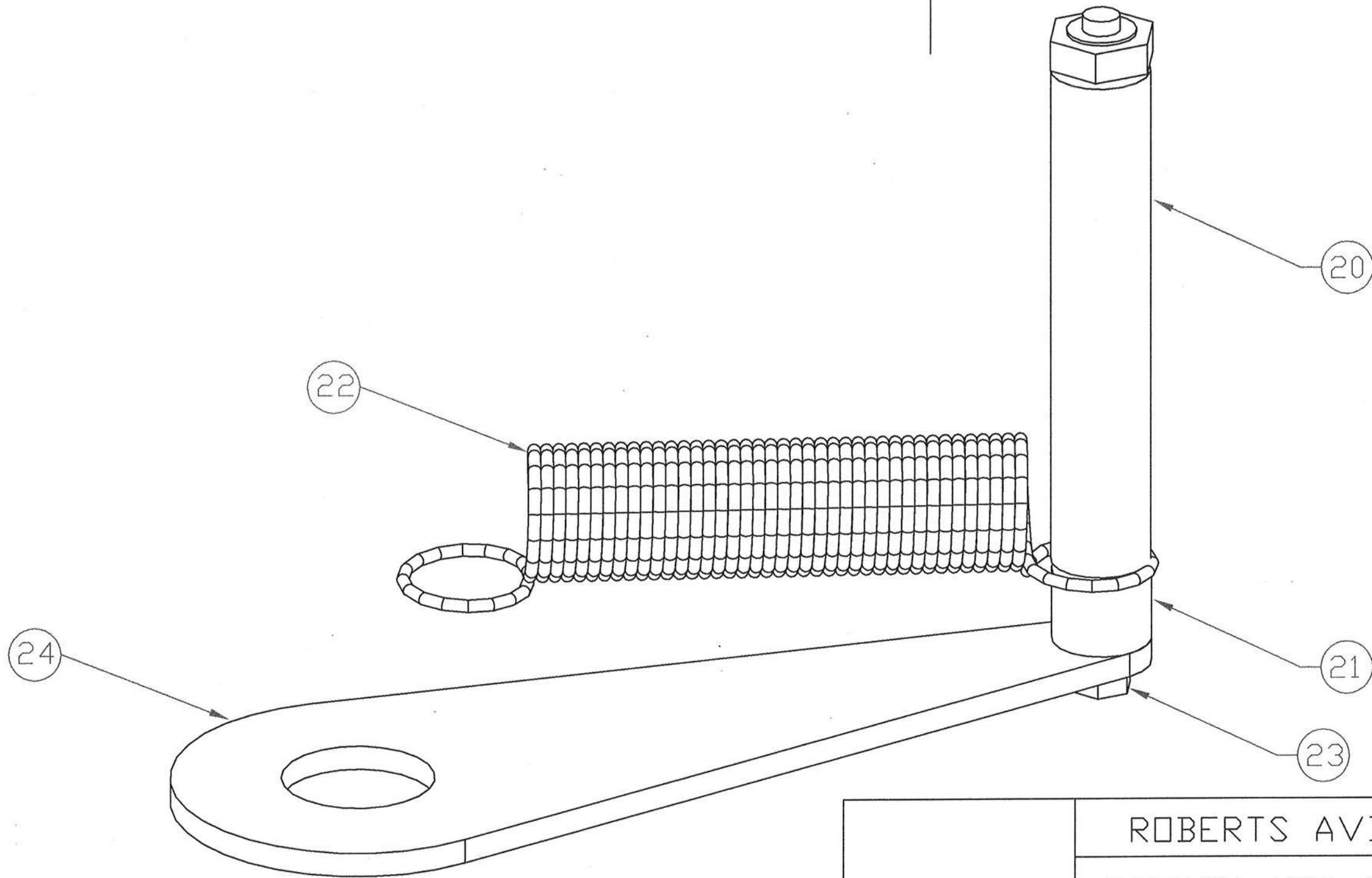
1066

1087



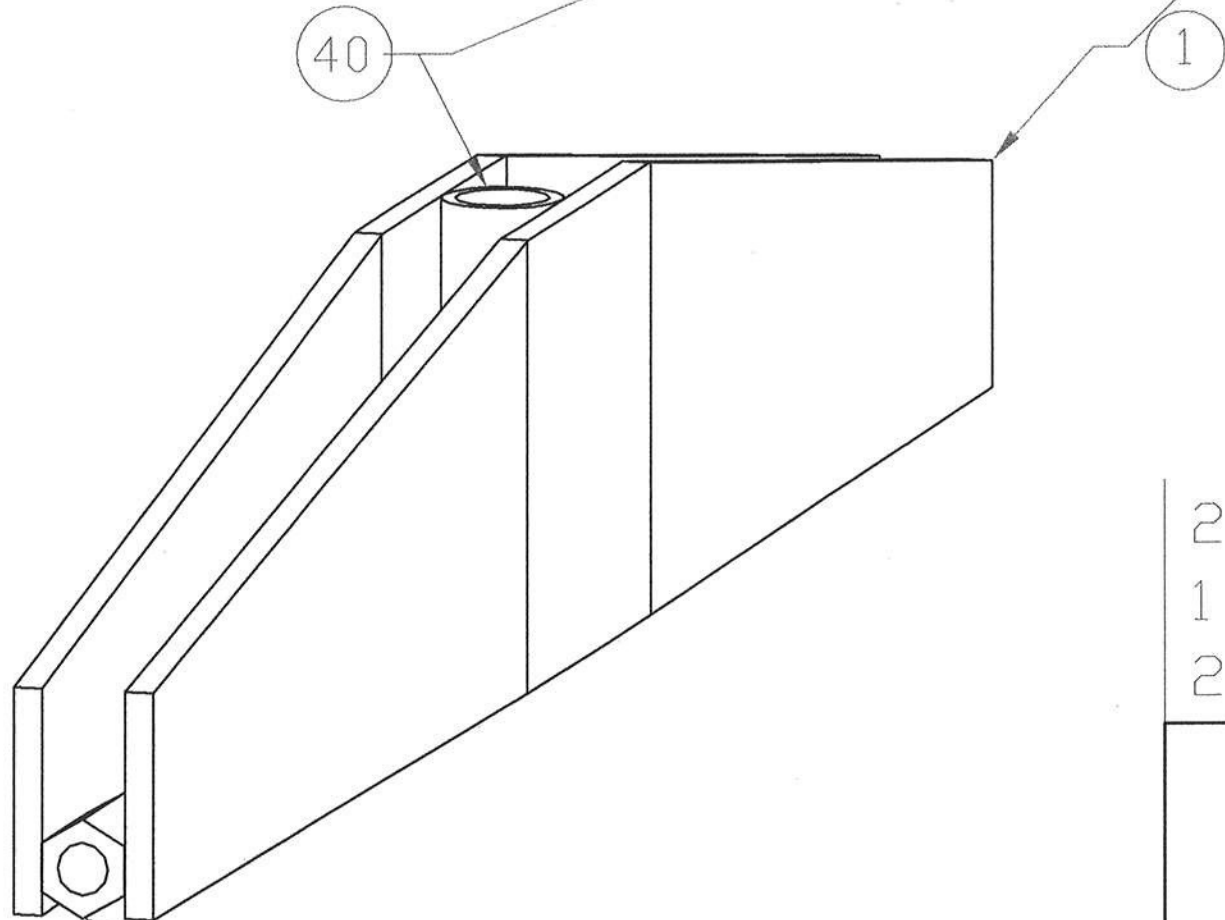
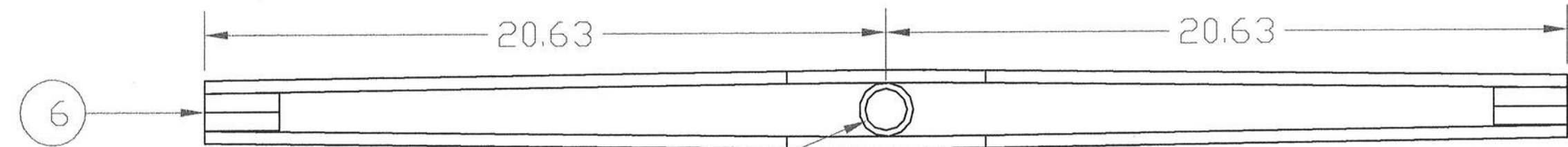


REVISIONS				
ZONE	REV	DESCRIPTION	DATE	APPROVED



ROBERTS AVIATION					
					SAFETY ARM ASSEMBLY
02-15-08	09-03-07	SIZE	FSCM NO. N/A	DWG NO. 1105	REV 0
		SCALE 1/1	2 EACH	SHEET 1 of 1	

REVISIONS				
ZONE	REV	DESCRIPTION	DATE	APPROVED



2	1006	3/4 INCH EXTENDED NUT
1	1040	JACK ADAPTER
2	1001	MAIN JACK LIFT

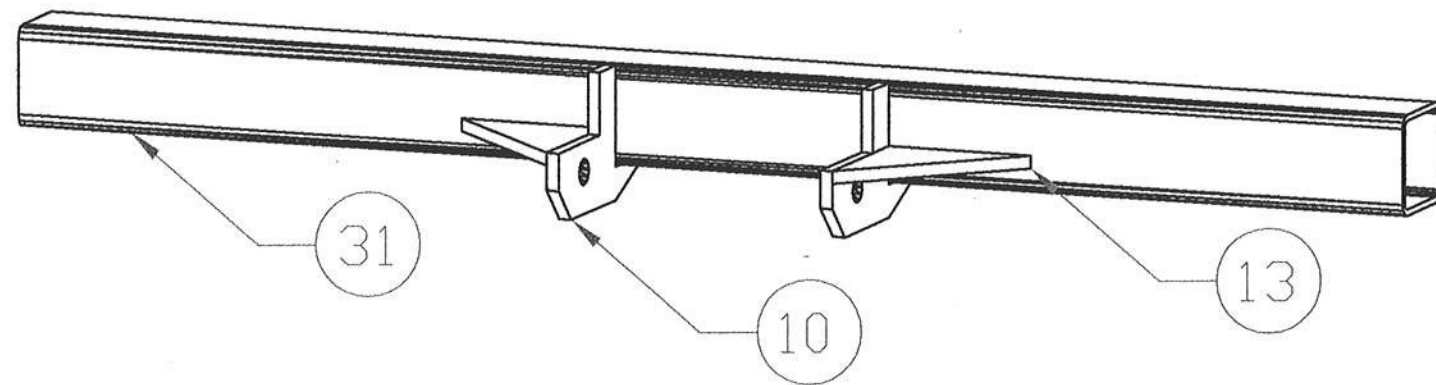
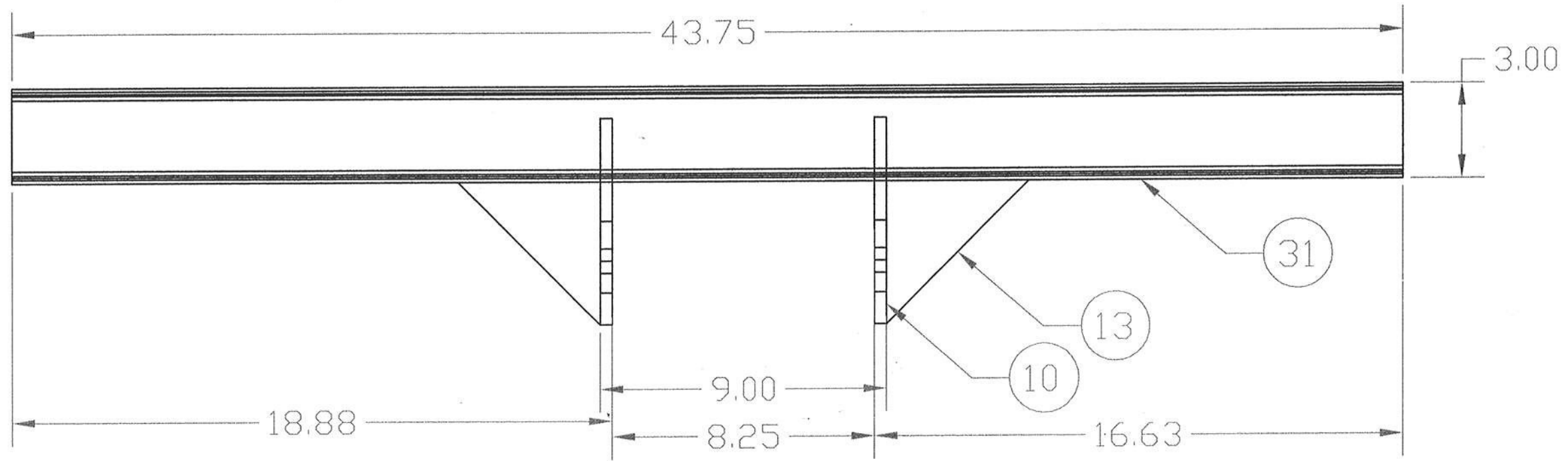
ROBERTS AVIATION
ASSEMBLY, JACK LIFT

2 EACH 3/4 INCH EXTEND NUTS
EVEN WITH BOTTOM

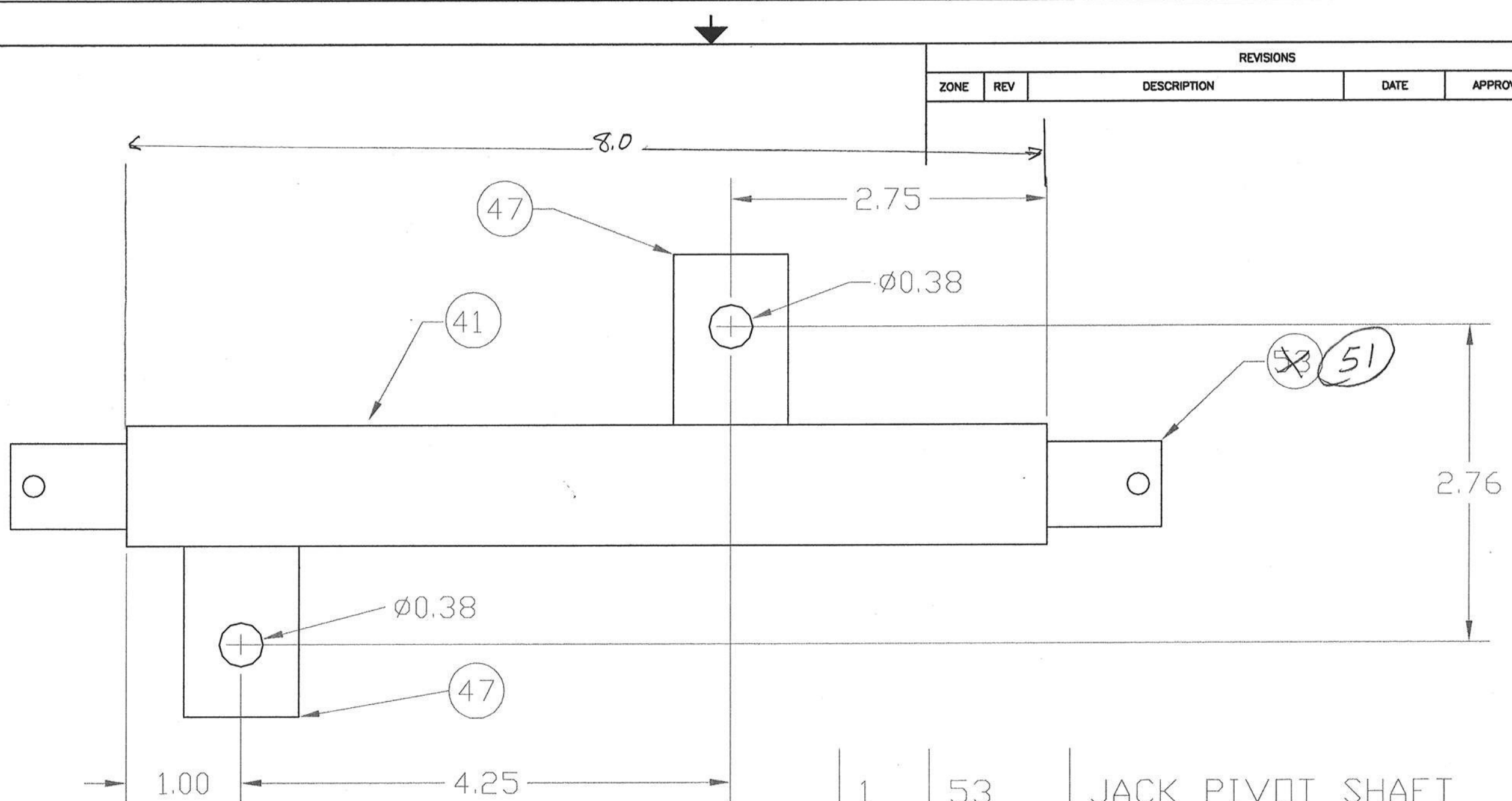
5-01-07	SCALE N/A	1 EACH	SHEET 1 of 1
---------	-----------	--------	--------------

SIZE	FSCM NO.	DWG NO.	REV
	N/A	1106	0

REVISIONS				
ZONE	REV	DESCRIPTION	DATE	APPROVED



3	1013	SIDEPLATE GUSSET		
2	1010	JACK SIDE PLATES		
1	1031	MAIN CROSS SUPPORT		
ROBERTS AVIATION				
ASSEMBLY JACK MOUNT				
	SIZE	FSCM NO. N/A	DWG NO. 1107	REV 0
5-01-07	SCALE 1/4	1 EACH	SHEET 1 of 1	

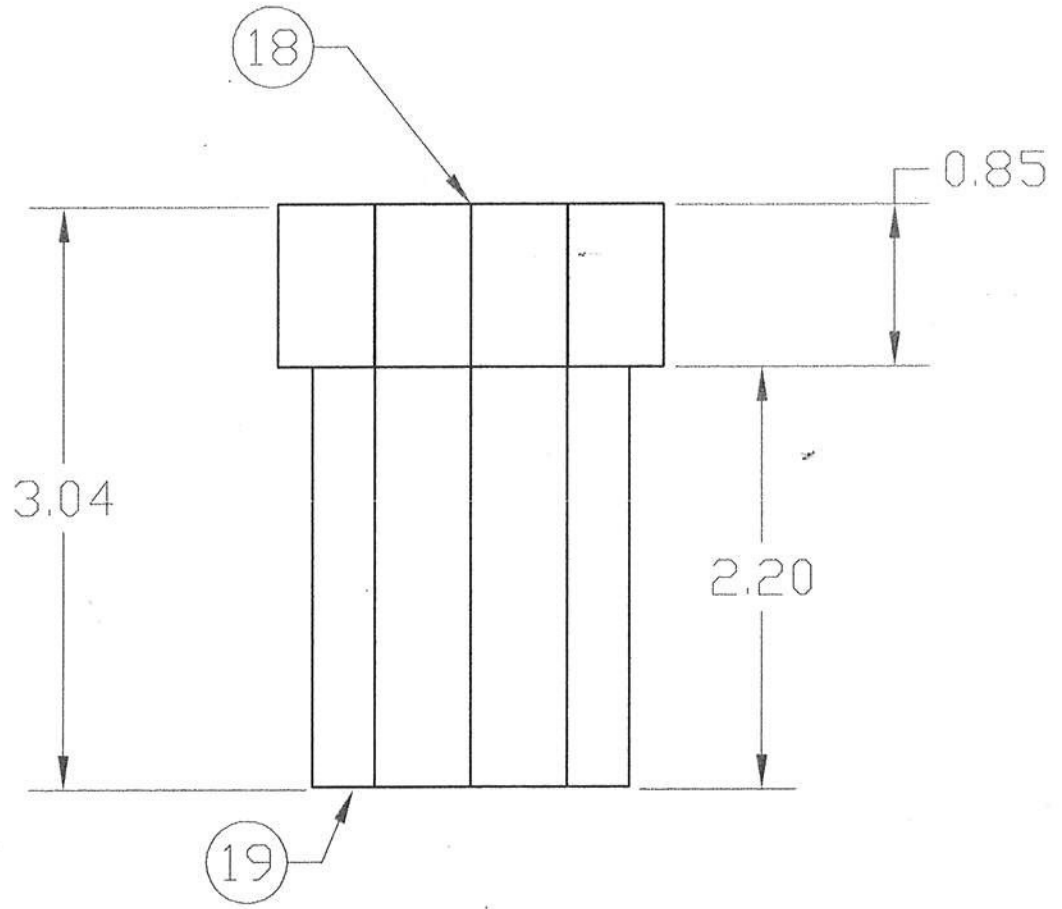
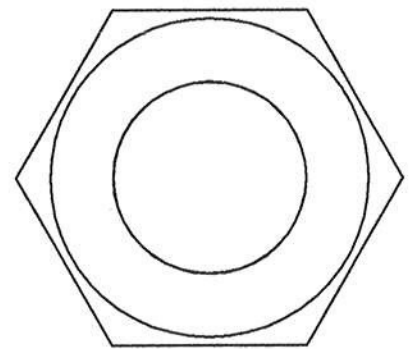


REVISIONS				
ZONE	REV	DESCRIPTION	DATE	APPROVED

1	53	JACK PIVOT SHAFT	
2	47	JACK PIVOT EARS	
1	41	JACK PIVOT TUBE	
		ROBERTS AVIATION	
		JACK PIVOT ASSEMBLY	
SIZE	FSCM NO.	DWG NO.	REV
	N/A	1108	0
02-03-08	SCALE 1/1	1 EACH	SHEET 1 of 1



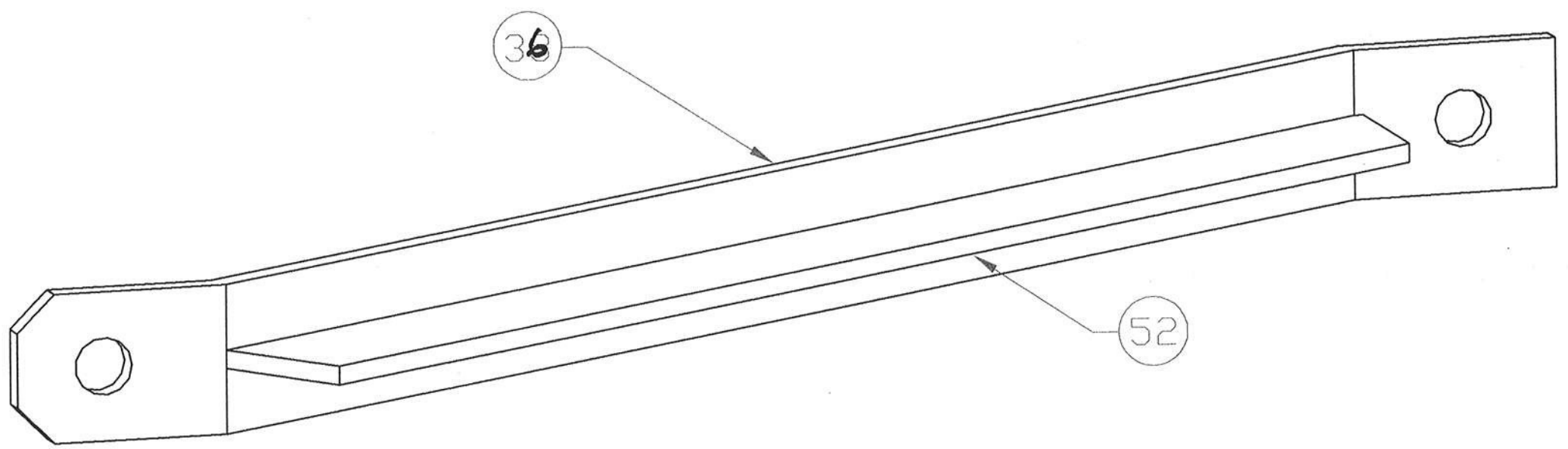
REVISIONS				
ZONE	REV	DESCRIPTION	DATE	APPROVED



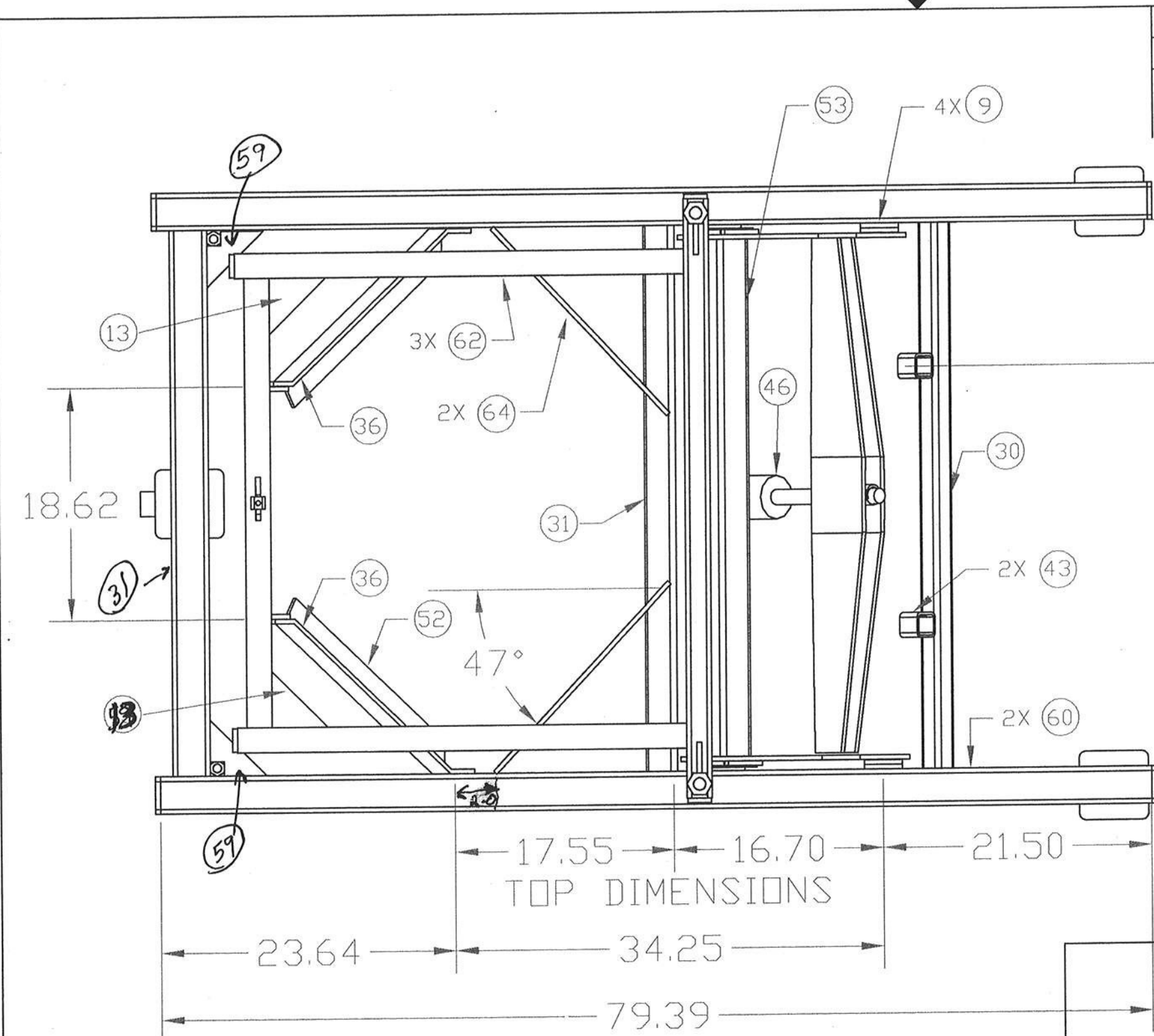
1	18	1" X 5 ACME THREAD		
1	19	1 1/4 SCHEDULE 80 PIPE		
		ROBERTS AVIATION		
		JACK ADAPTER ASSEMBLY		
		SIZE	FSCM NO. N/A	DWG NO. 1109
				REV 0
02-15-08		SCALE 1/1	2 EACH	SHEET 1 of 1



REVISIONS				
ZONE	REV	DESCRIPTION	DATE	APPROVED



		ROBERTS AVIATION		
		REAR PIVOT ARM		
	SIZE	FSCM NO.	DWG NO.	REV
		N/A	1110	0
10-06-07	SCALE	1/2	2 EACH	SHEET 1 of 1

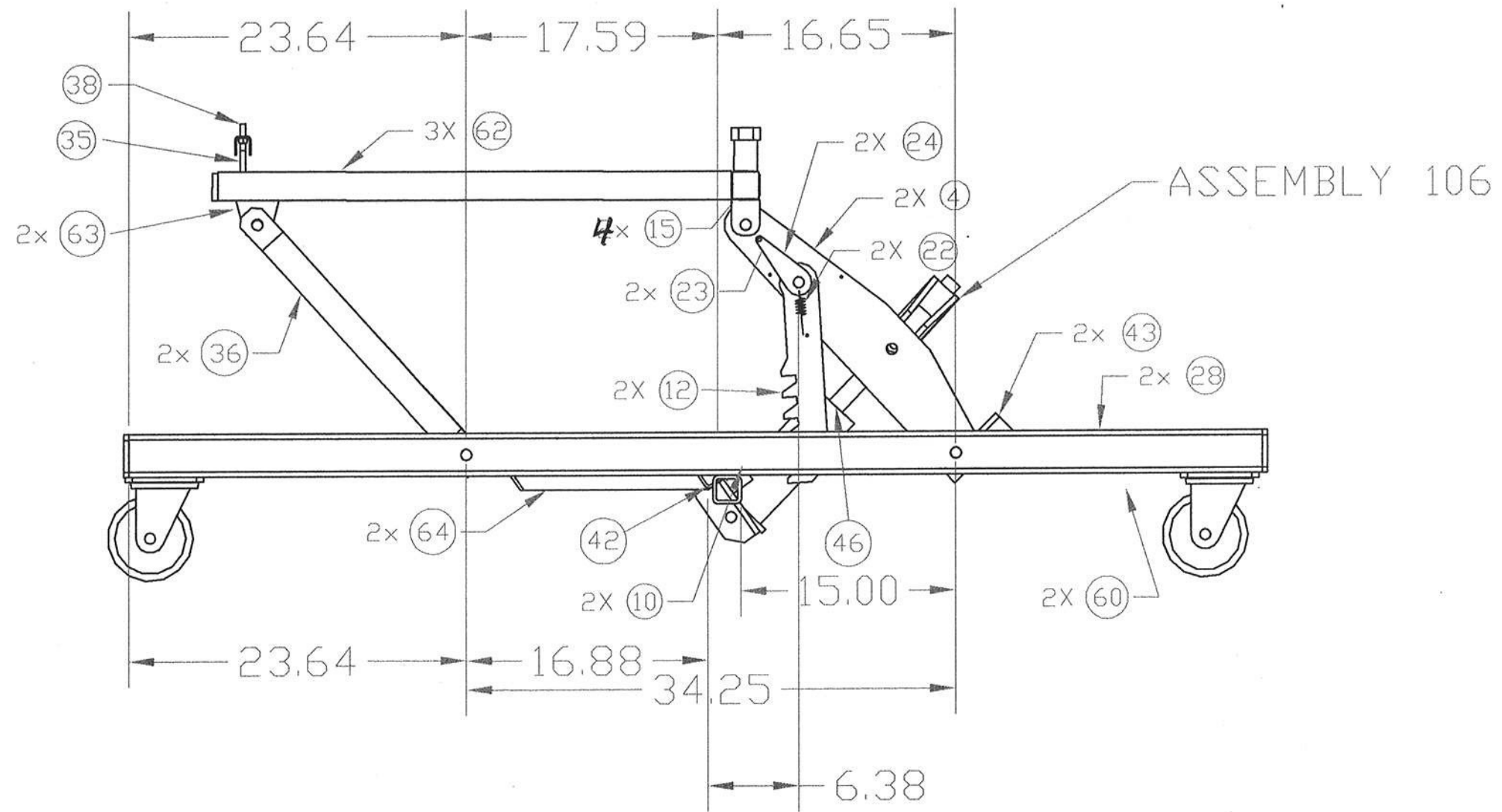


REVISIONS				
ZONE	REV	DESCRIPTION	DATE	APPROVED

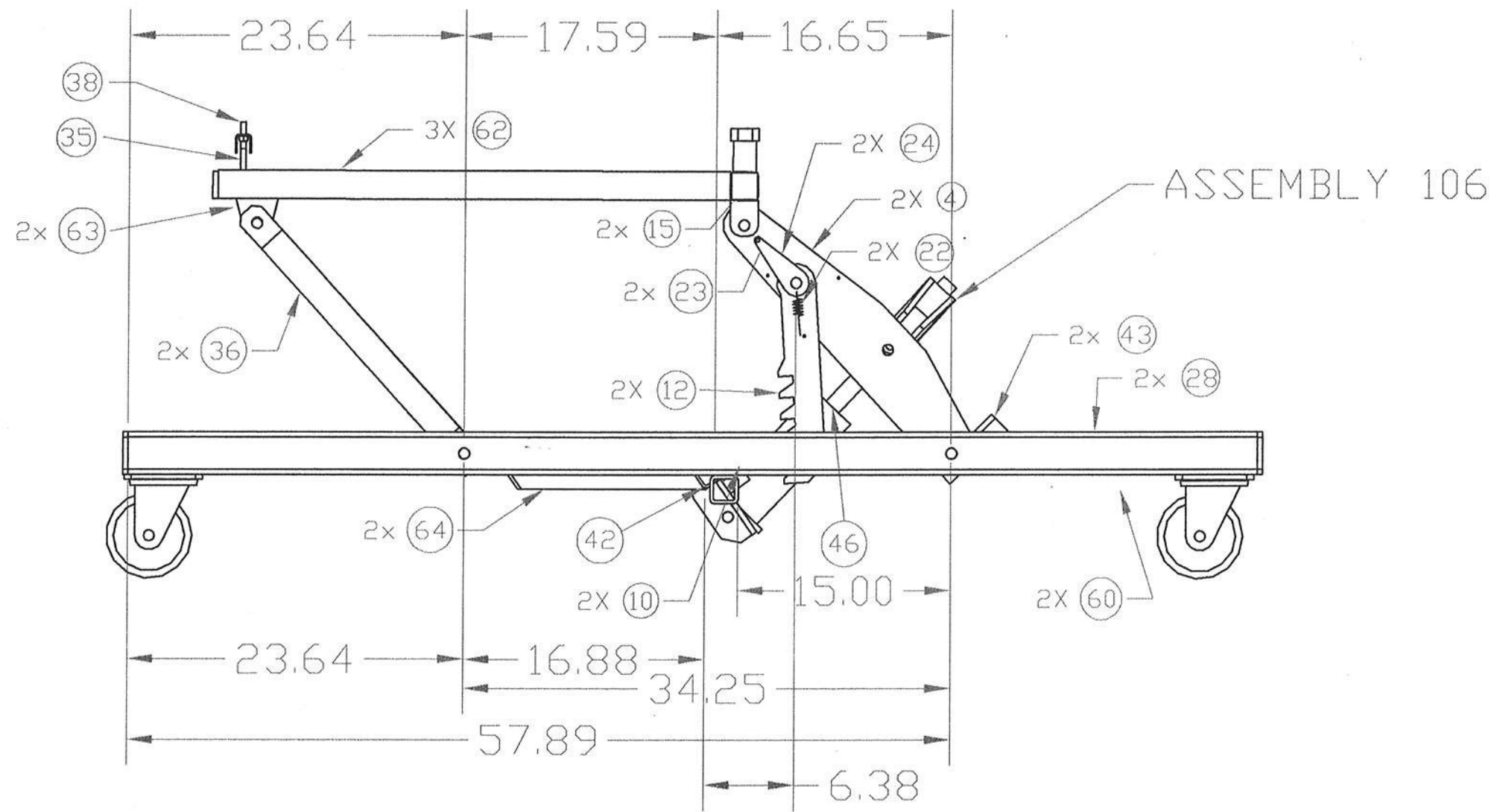
ZONE	REV	DESCRIPTION	DATE	APPROVED

ROBERTS AVIATION			
LOWER ASSEMBLY			
SIZE	FSCM NO.	DWG NO.	REV
	N/A	1203	0
SCALE	1/8	1 EACH	SHEET 1 of 2

05-01-07

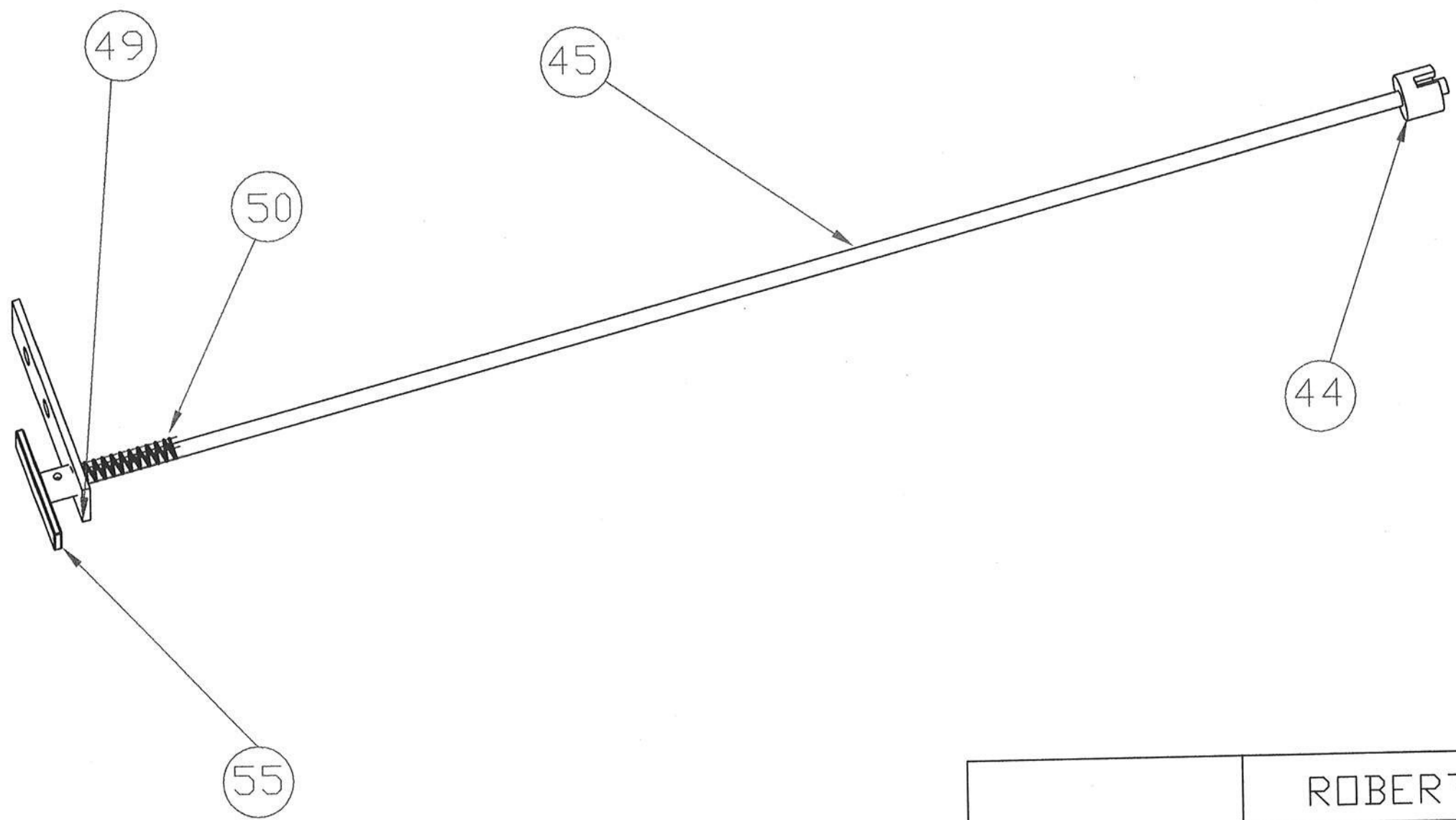


ROBERTS AVIATION		LOWER ASSEMBLY		
SIZE	FSCM NO.	DWG NO.	REV	
	N/A	1203	0	
08-18-07	SCALE 1/8	1 EACH	SHEET 2 of 2	

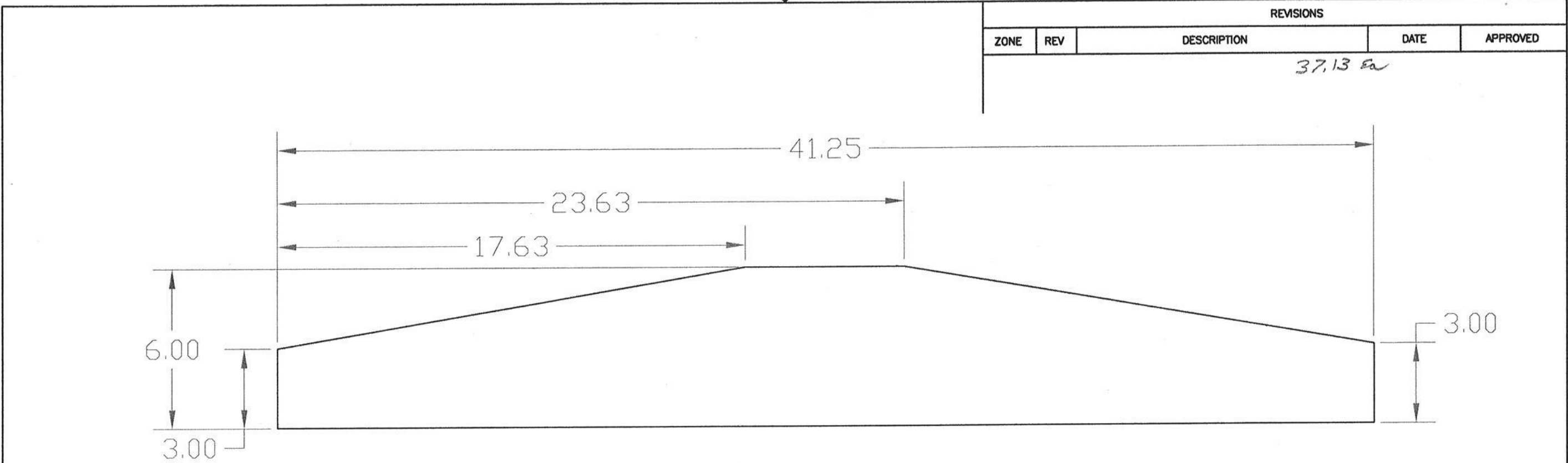


ROBERTS AVIATION		LOWER ASSEMBLY		
SIZE	FSCM NO.	DWG NO.	REV	
	N/A	1203	0	
08-18-07	SCALE 1/8	1 EACH	SHEET 2 of 2	

REVISIONS				
ZONE	REV	DESCRIPTION	DATE	APPROVED



		ROBERTS AVIATION		
		VALVE ASSEMBLY		
	SIZE	FSCM NO.	DWG NO.	REV
		N/A	1205	0
09-23-07	SCALE	NA	1 EACH	SHEET 1 of 1



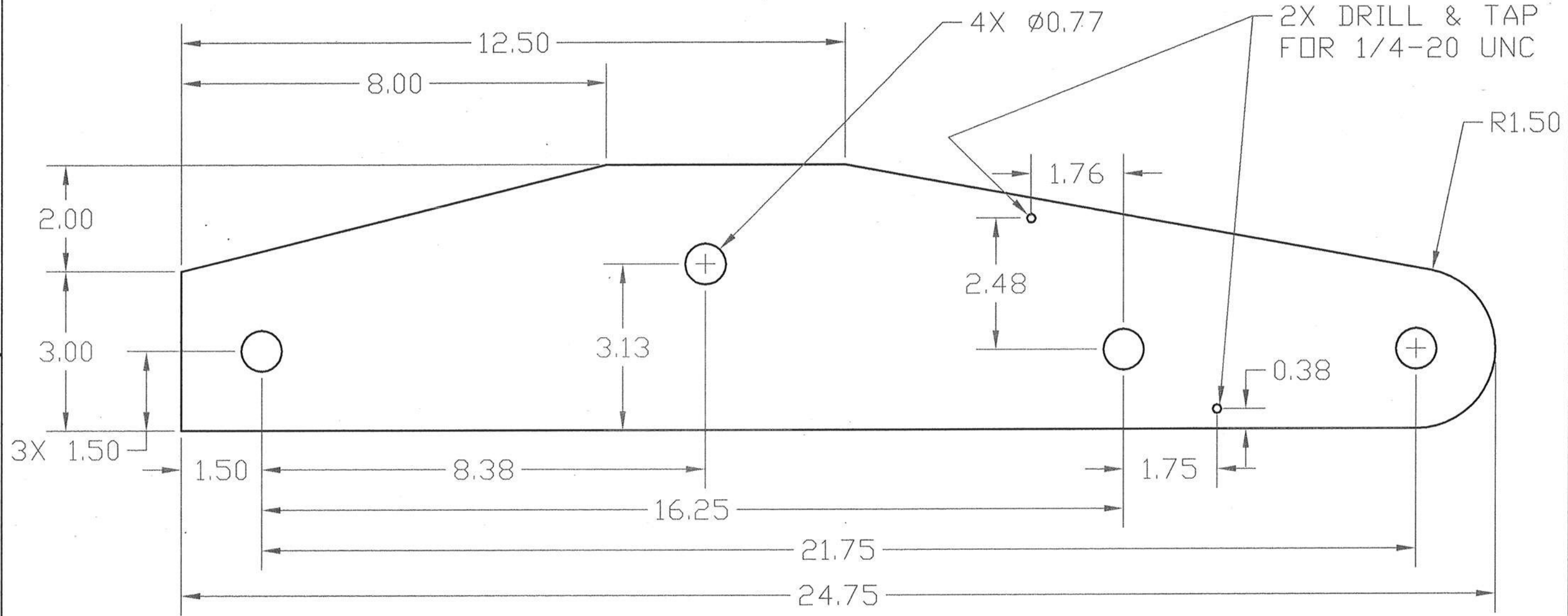
MATERIAL .375 THK COLD ROLLED STEEL

		ROBERTS AIRCRAFT		
		MAIN JACK LIFT		
SIZE	FSCM NO.	DWG NO.	REV	
	N/A	1001	0	
SCALE	1/4	2 EACH	SHEET	1 of 1

38.5"

v B

REVISIONS				
ZONE	REV	DESCRIPTION	DATE	APPROVED



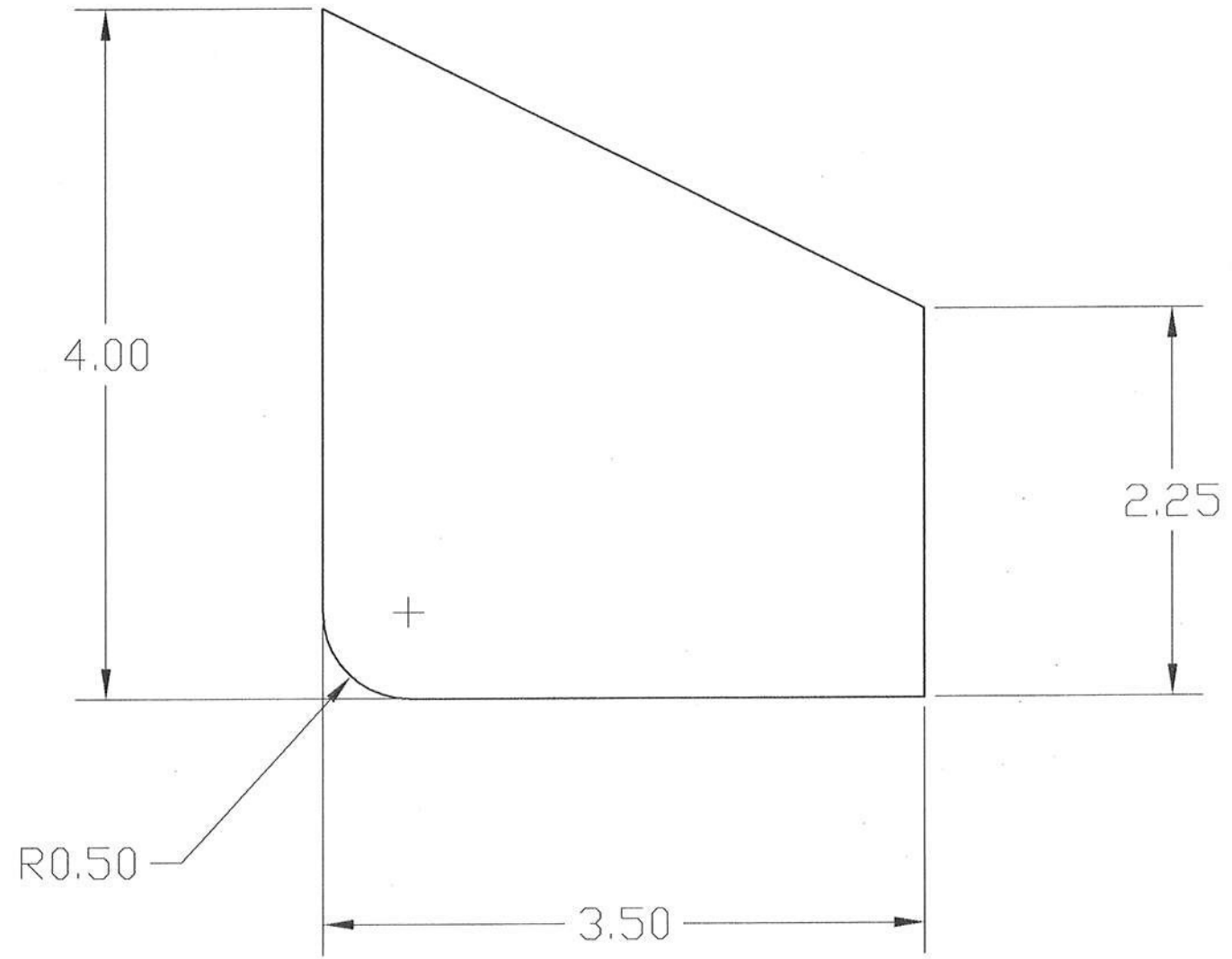
MATERIAL: .375 THK COLD ROLLED STEEL

	ROBERTS AIRCRAFT			
	JACK ARMS			
	SIZE	FSCM NO.	DWG NO.	REV
		N/A	1004	0
02-03-08	SCALE	1/2	2 EACH	SHEET 1 of 1

✓

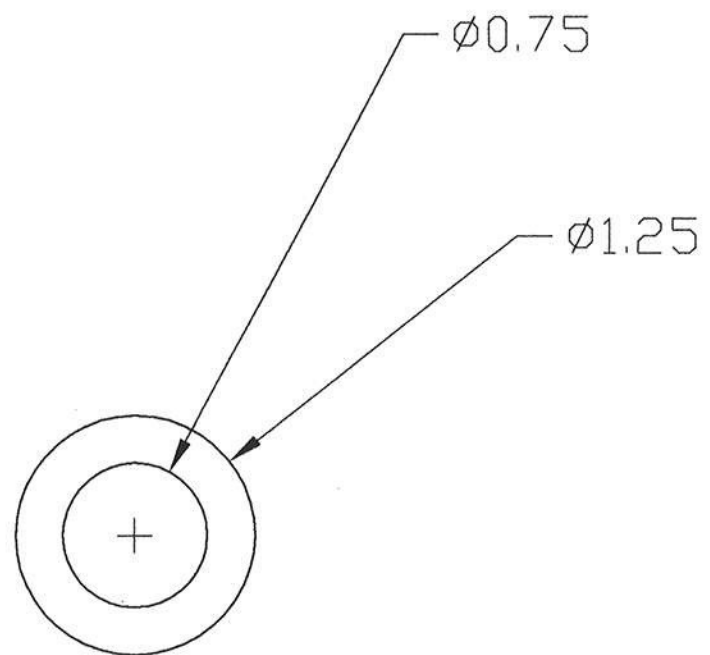
REVISIONS				
ZONE	REV	DESCRIPTION	DATE	APPROVED

©



MATERIAL: .375 THK COLD ROLLED STEEL

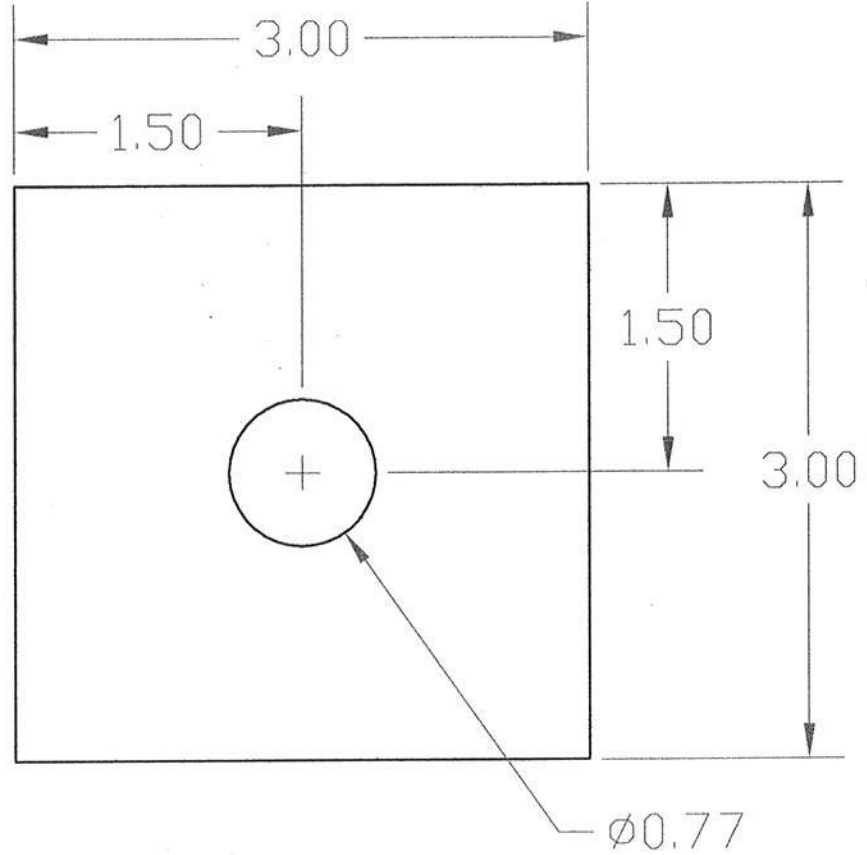
		ROBERTS AVIATION		
		SAFETY STOP PLATE		
SIZE	FSCM NO.	DWG NO.	REV	
05 26	N/A	1005	0	
10-06-09	SCALE 1/1	2 EACH	SHEET 1 of 1	



REVISIONS				
ZONE	REV	DESCRIPTION	DATE	APPROVED

MATERIAL: .122 THK STEEL

		ROBERTS AVIATION		
		Ø1.25 WASHER		
	SIZE	FSCM NO.	DWG NO.	REV
		N/A	1007	0
11-14-08	SCALE	1/1	2 EACH	SHEET 1 of 1



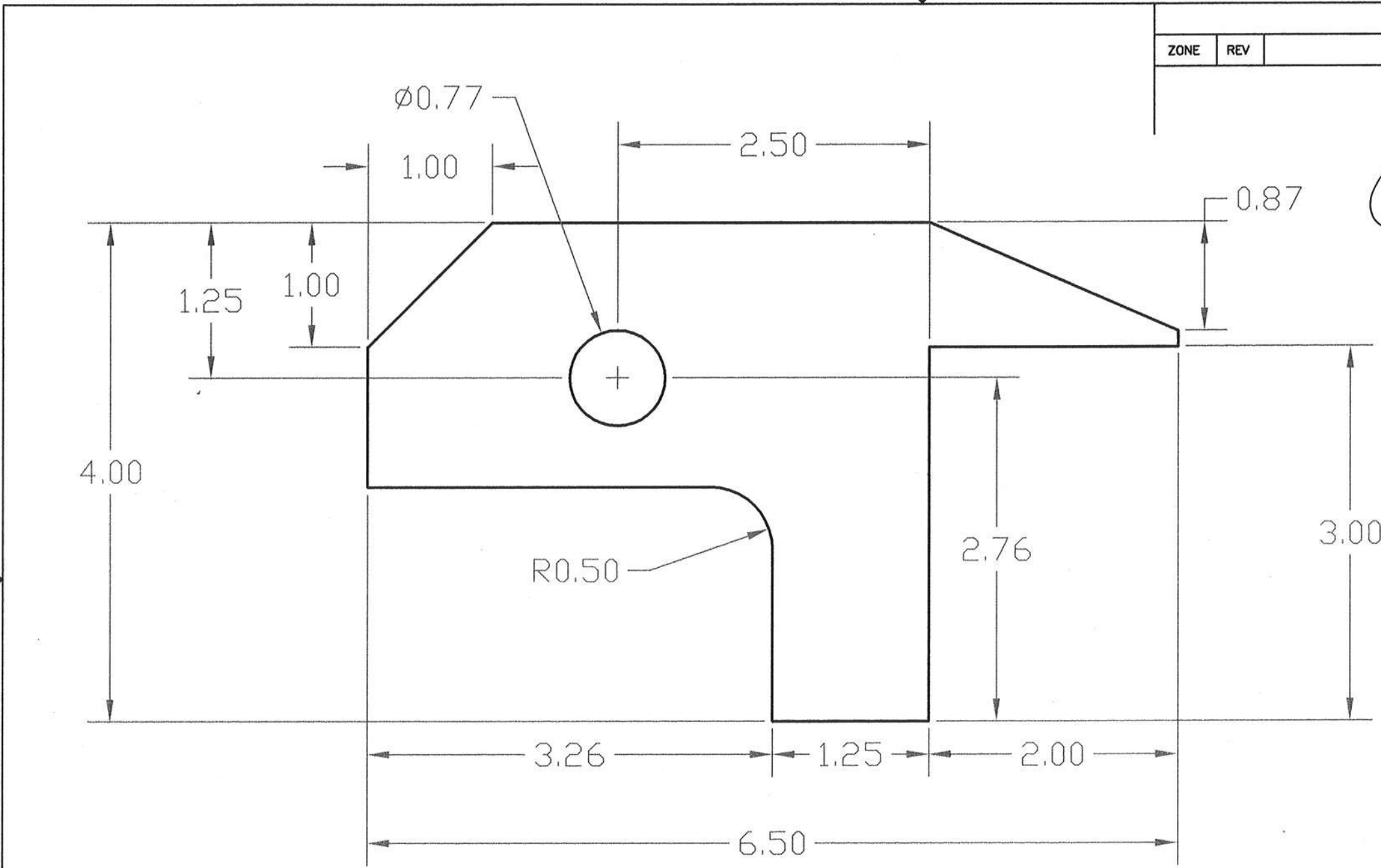
REVISIONS				
ZONE	REV	DESCRIPTION	DATE	APPROVED
		.67 su		

MATERIAL: .375 THK COLD ROLLED STEEL

		ROBERTS AVIATION		
		FRONT BEARING PLATES		
SIZE	FSCM NO.	DWG NO.	REV	
	N/A	1009	0	
09-04-06	SCALE 1/1	4 EACH	SHEET 1 of 1	

12"

B

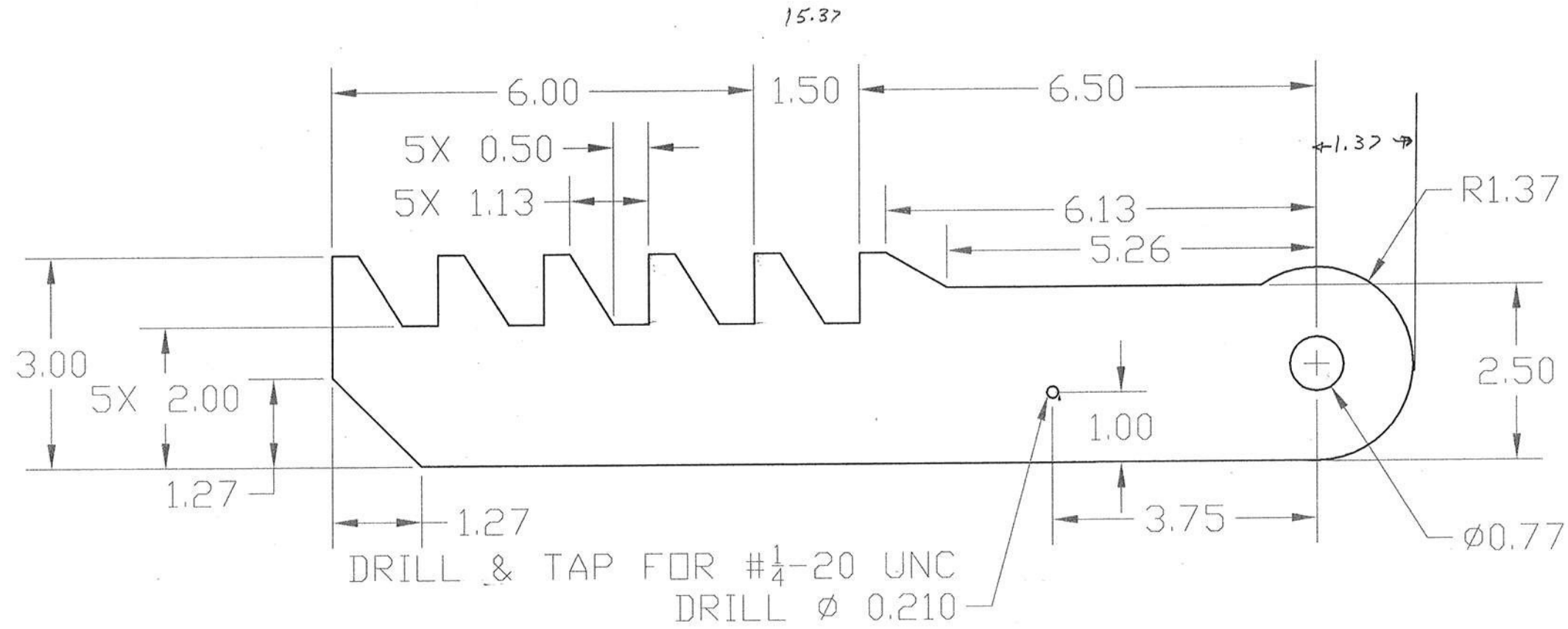


REVISIONS				
ZONE	REV	DESCRIPTION	DATE	APPROVED

MATERIAL: .375 THK COLD ROLLED STEEL

		ROBERTS AVIATION		
		JACK MOUNT SIDE		
	SIZE	FSCM NO. N/A	DWG NO. 1010	REV 0
02-15-08	SCALE 1/1	2 EACH	SHEET 1 of 1	

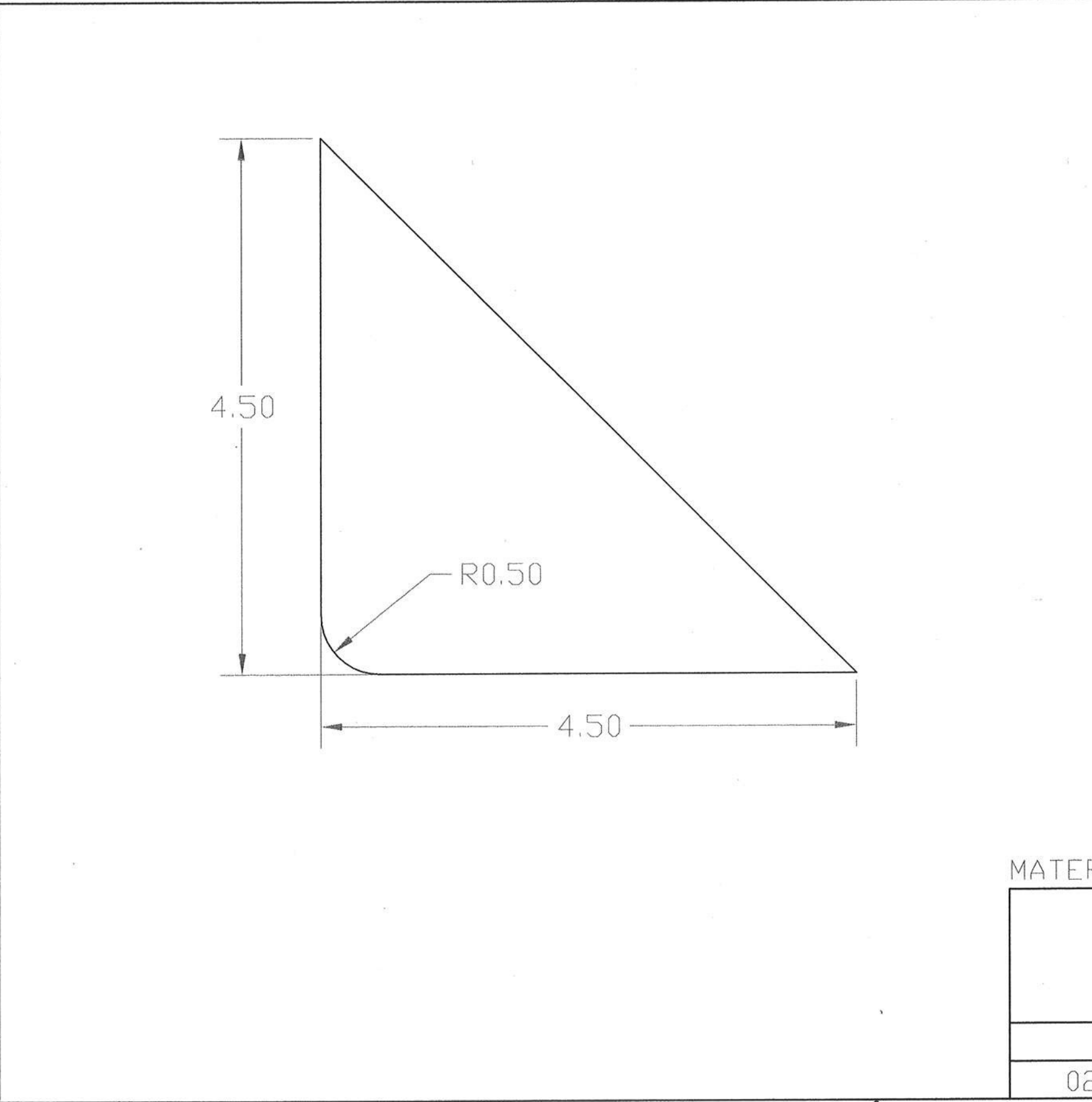
REVISIONS				
ZONE	REV	DESCRIPTION	DATE	APPROVED
			6.9.7 Ga	



MATERIAL: .375 THK COLD ROLLED STEEL

		ROBERTS AVIATION		
		SAFETY ARM		
SIZE	FSCM NO.	DWG NO.	REV	
	N/A	1012	0	
10-24-06	SCALE 1/2	2 EACH	SHEET	1 of 1

44.7"



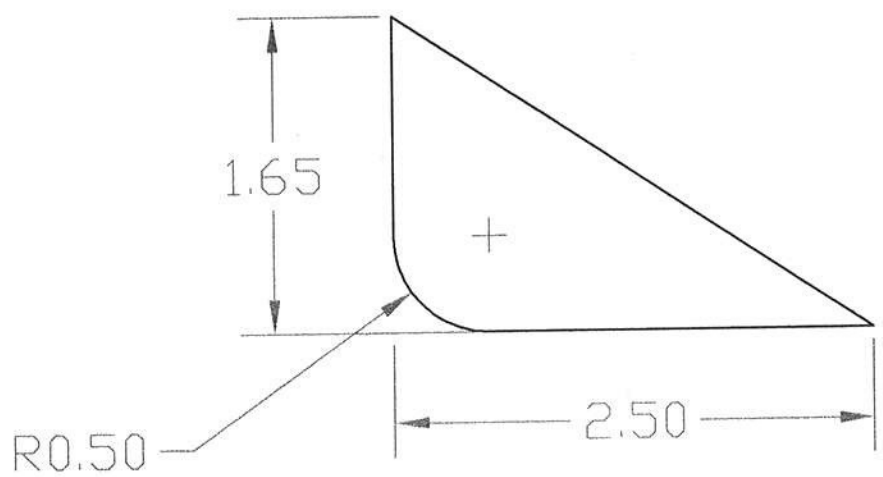
REVISIONS				
ZONE	REV	DESCRIPTION	DATE	APPROVED

MATERIAL: .375 THK COLD ROLLED STEEL

	ROBERTS AVIATION			
	JACK BOX SIDEPLATE GUSSET			
	SIZE	FSCM NO. N/A	DWG NO. 1013	REV 0
02-03-08	SCALE 1/1	4 EACH	SHEET 1 of 1	

REVISIONS				
ZONE	REV	DESCRIPTION	DATE	APPROVED
		.66 Ea		

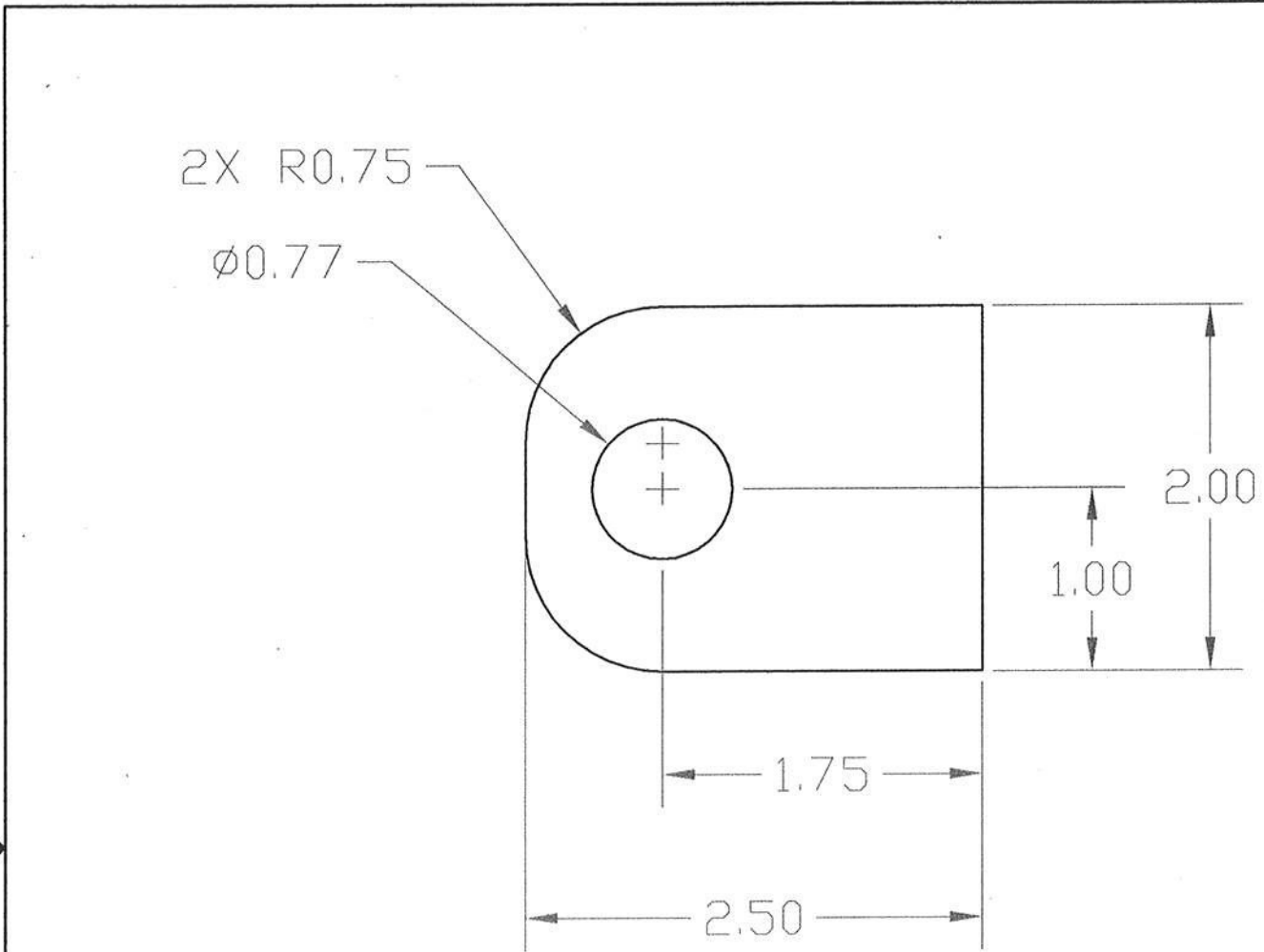
Ⓢ



MATERIAL: .375 THK COLD ROLLED STEEL

		ROBERTS AVIATION		
		JACK SCREW & FORWARD PIVOT GUSSETS		
SIZE	FSCM NO.	DWG NO.	REV	
	N/A	1014	0	
09-08-07	SCALE 1/1	2 EACH	SHEET 1 of 1	

7.15"



REVISIONS				
ZONE	REV	DESCRIPTION	DATE	APPROVED

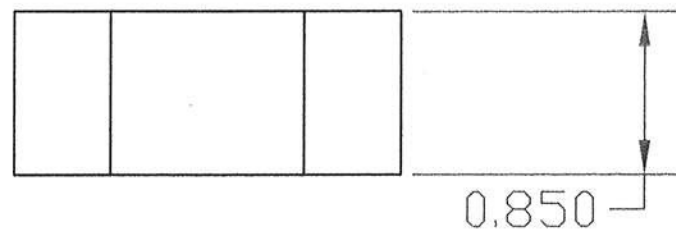
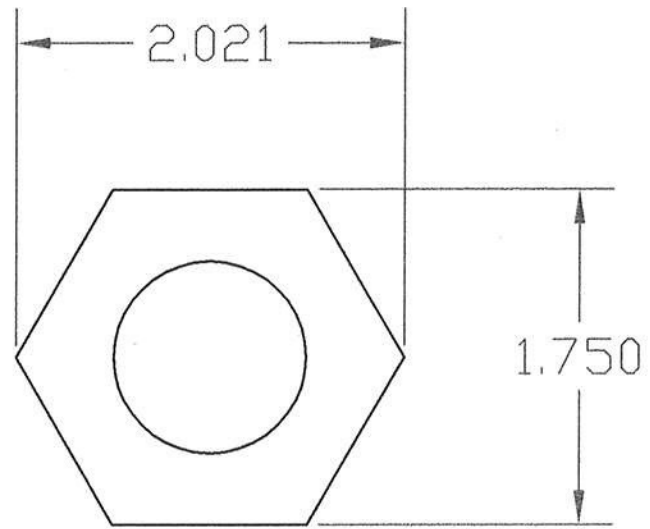
375K

MATERIAL: .375 THK HOT ROLLED STEEL

		ROBERTS AVIATION		
		FORWARD UPPER PIVOT PLATES		
SIZE	FSCM NO.	DWG NO.	REV	
	N/A	1015	0	
09-05-06	SCALE 1/1	4 EACH	SHEET 1 of 1	

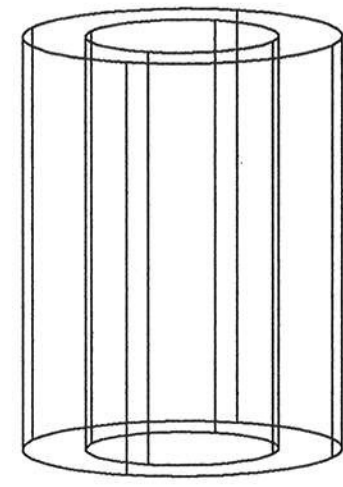
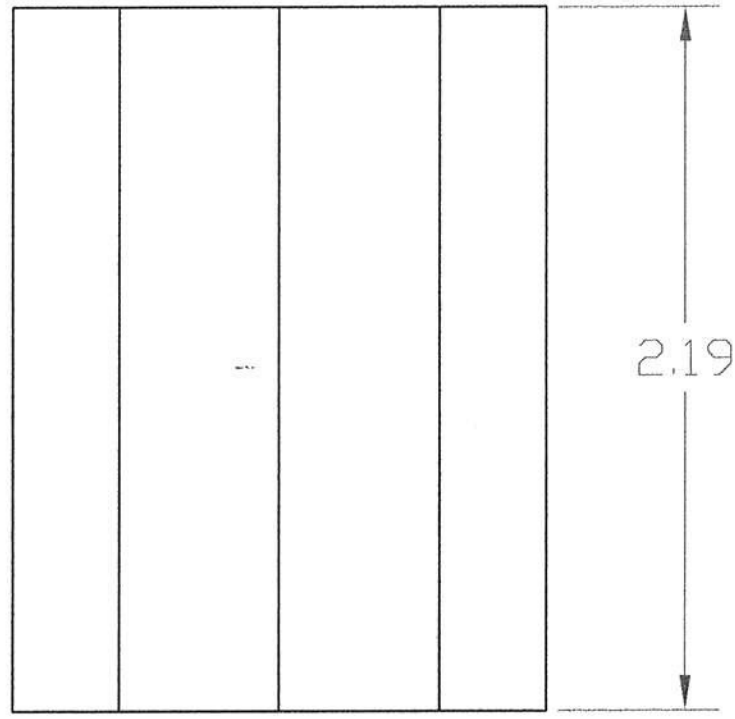
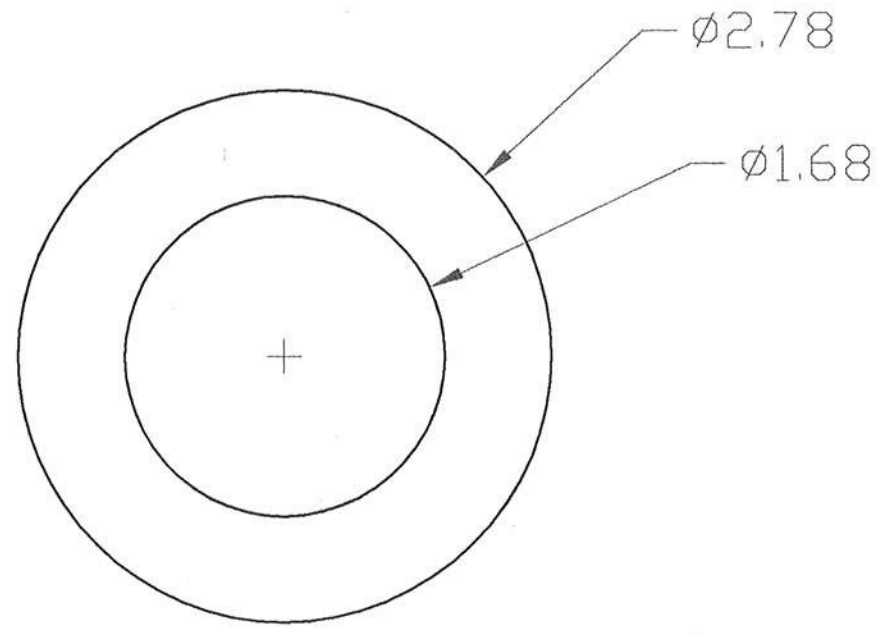
9"

B



REVISIONS				
ZONE	REV	DESCRIPTION	DATE	APPROVED

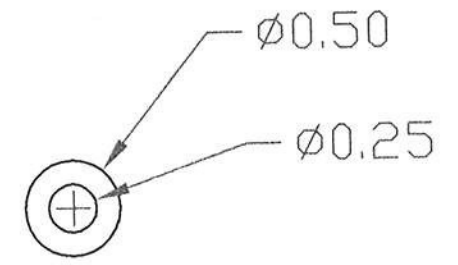
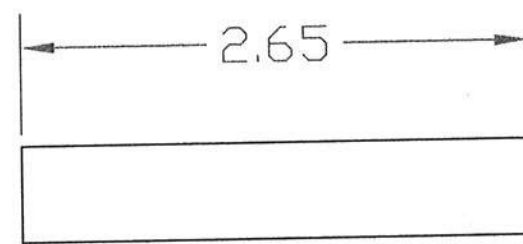
ROBERTS AVIATION				
NUT, 1x5 ACME THD				
	SIZE	FSCM NO.	DWG NO.	REV
		N/A	1018	0
02-15-08	SCALE	1/1	2 EACH	SHEET 1 of 1



REVISIONS				
ZONE	REV	DESCRIPTION	DATE	APPROVED

1019	1019	ROBERTS AVIATION		
		JACK PIONT POST		
SIZE	FSCM NO.	DWG NO.	REV	
	N/A	1019	0	
02-15-08	SCALE 1/1	2 EACH	SHEET 1 of 1	

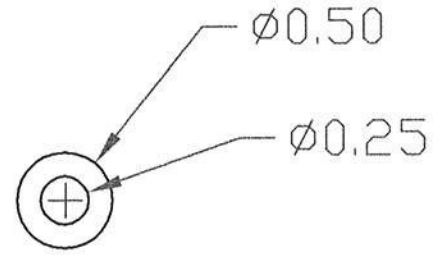
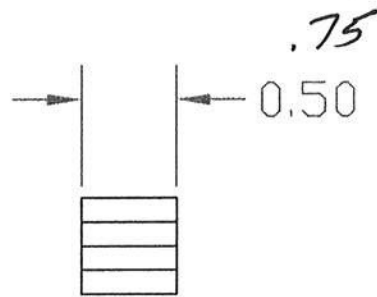
REVISIONS				
ZONE	REV	DESCRIPTION	DATE	APPROVED



MATERIAL: WOOD OR PLASTIC

	ROBERTS AVIATION			
	SAFETY CRANK ROLLER			
	SIZE	FSCM NO.	DWG NO.	REV
		N/A	1020	0
09-23-07	SCALE 1/1	2 EACH	SHEET 1 of 1	

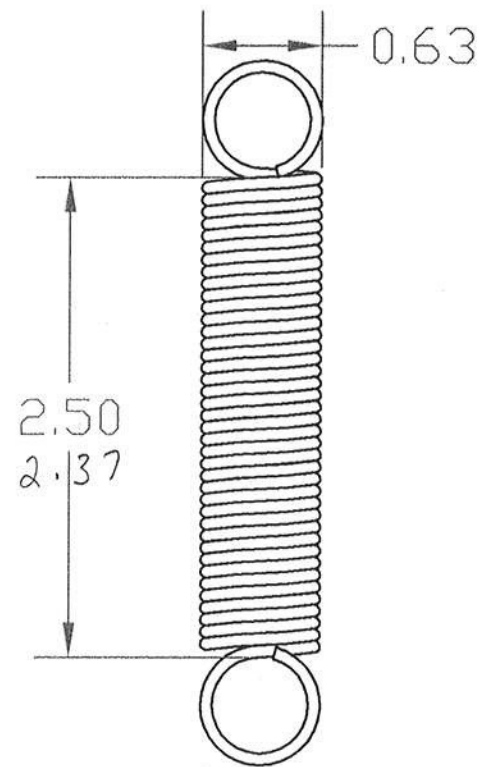
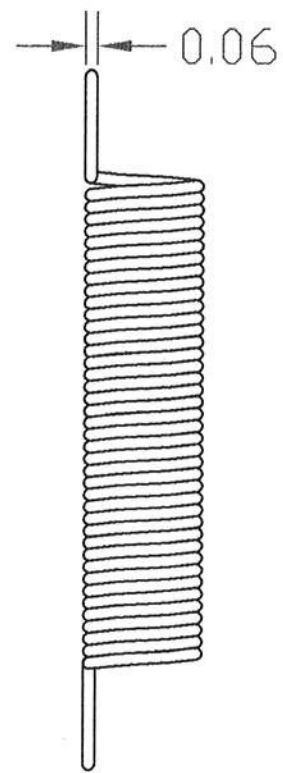
REVISIONS				
ZONE	REV	DESCRIPTION	DATE	APPROVED



MATERIAL: WOOD OR PLASTIC

		ROBERTS AVIATION			
		SAFETY CRANK ROLLER			
SIZE	FSCM NO.	DWG NO.	REV		
	N/A	10 24 1021	0		
09-23-07	SCALE 1/1	2 EACH	SHEET 1 of 1		

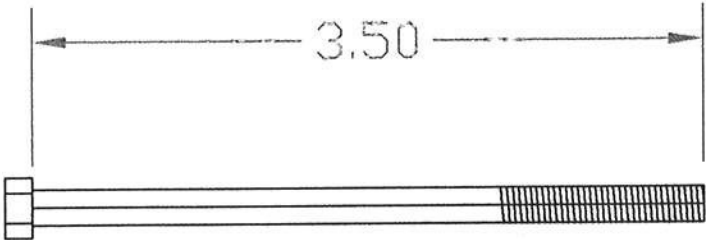
REVISIONS				
ZONE	REV	DESCRIPTION	DATE	APPROVED



CUT 2.75 LONG
 BEND 1 COIL EACH END
 MADE FROM ϕ .625 X 8.5 L X ϕ .062
 GRANGER
 TRACTOR SUPPLY # CR123

ROBERTS AVIATION				
SAFETY SPRING				
SIZE	FSCM NO.	DWG NO.	REV	
	N/A	1022	0	
08-31-07	SCALE 1/1	2 EACH	SHEET 1 of 1	

REVISIONS				
ZONE	REV	DESCRIPTION	DATE	APPROVED

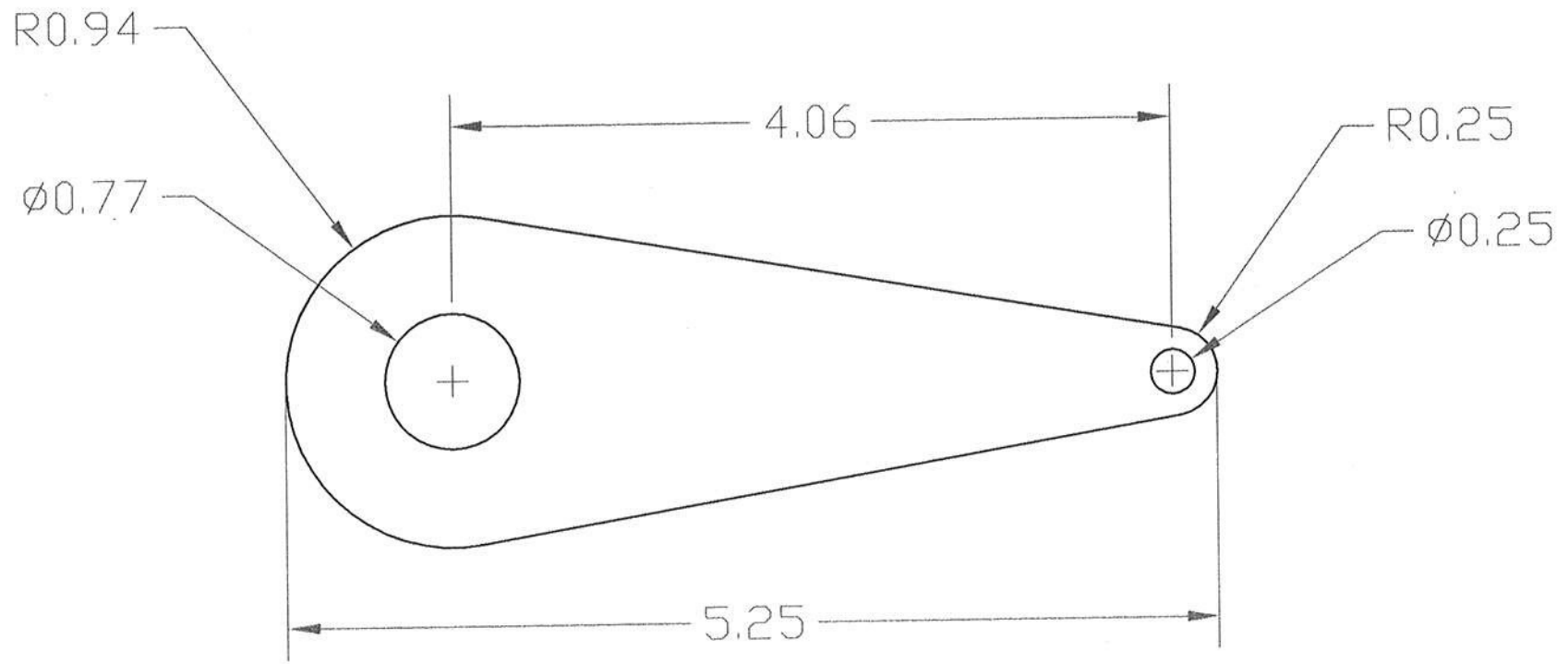


MATERIAL, #10-32 BOLT 3.5" LONG

	ROBERTS AVIATION			
	SAFETY HANDLE BOLT			
	SIZE	FSCM NO.	DWG NO.	REV
		N/A	1023	0
09-08-07	SCALE 1/1	2 EACH	SHEET 1 of 1	

REVISIONS				
ZONE	REV	DESCRIPTION	DATE	APPROVED

1.57 *EW*



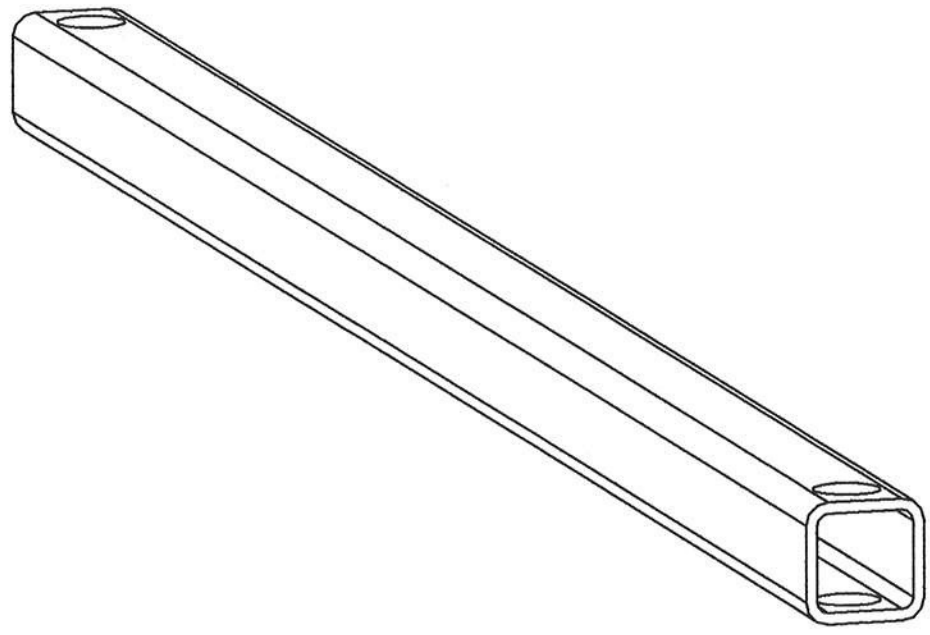
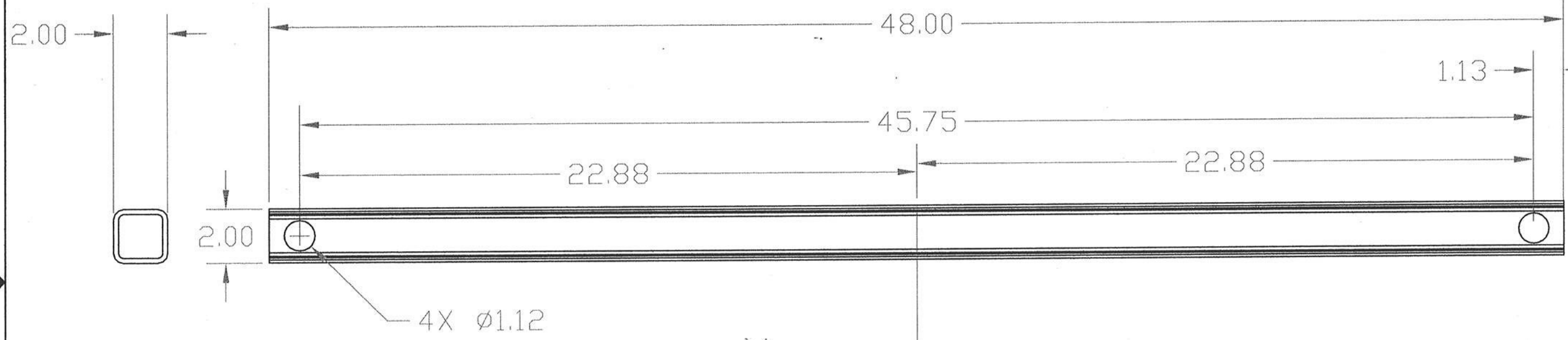
1/8

MATERIAL: .125 THK HOT ROLLED STEEL

		ROBERTS AVIATION		
		SAFETY ARM		
SIZE	FSCM NO.	DWG NO.	REV	
	N/A	1024	0	
09-23-07	SCALE 1/1	2 EACH	SHEET 1 of 1	

14.5

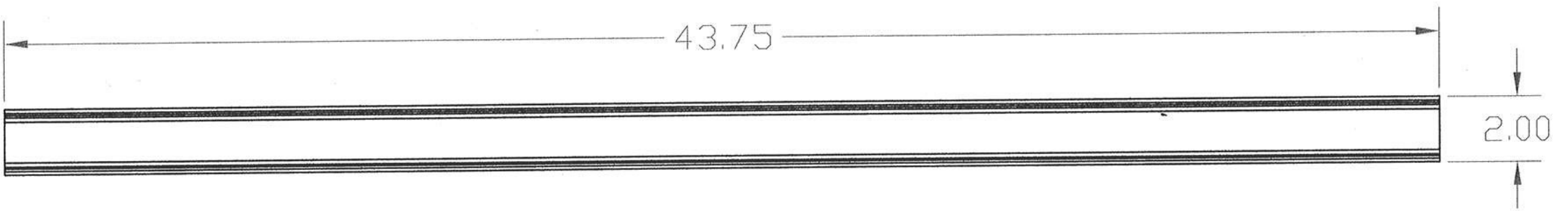
REVISIONS				
ZONE	REV	DESCRIPTION	DATE	APPROVED
			12.60	



MATERIAL: 2 X 2 SQUARE STEEL PIPE 3/16 THK

		ROBERTS AVIATION		
		UPPER FRAME FRONT		
SIZE	FSCM NO.	DWG NO.	REV	
	N/A	1025	0	
10-21-06	SCALE 1/4	1 EACH	SHEET 1 of 1	

REVISIONS				
ZONE	REV	DESCRIPTION	DATE	APPROVED
		11.48		

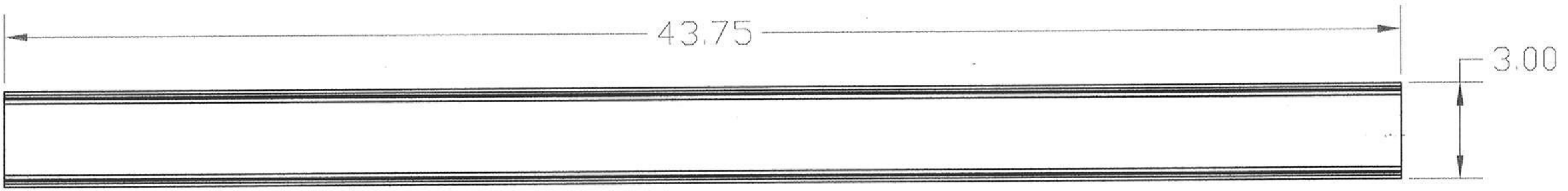


MATERIAL: 2" X 2" SQUARE STEEL TUBE

		ROBERTS AVIATION		
		FRAME LOWER FRONT CROSS BRACE		
SIZE	FSCM NO.	DWG NO.	REV	
	N/A	1030	0	
09-27-06	SCALE 1/4	1 EACH	SHEET 1 of 1	

B

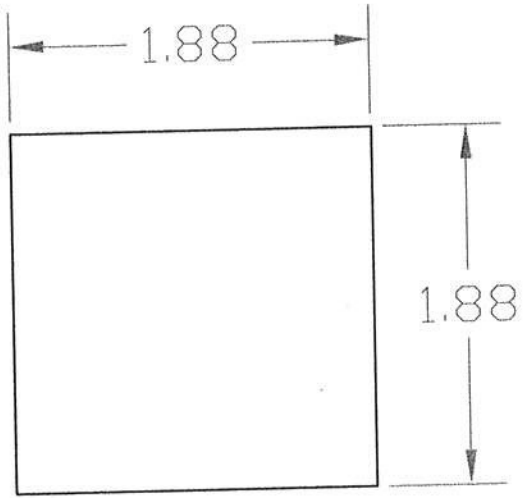
REVISIONS				
ZONE	REV	DESCRIPTION	DATE	APPROVED
		16.26		



MATERIAL: 3" X 3" SQUARE STEEL TUBE

		ROBERTS AVIATION		
		MAIN X MEMBER		
	SIZE	FSCM NO.	DWG NO.	REV
		N/A	1031	0
09-27-06	SCALE	1/4	1 EACH	SHEET 1 of 1

REVISIONS				
ZONE	REV	DESCRIPTION	DATE	APPROVED

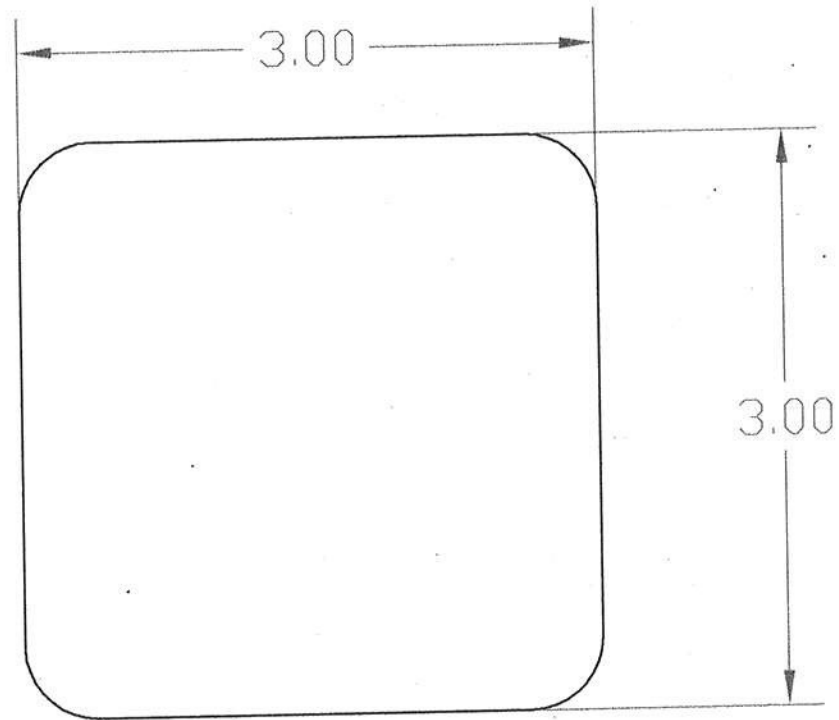


Plastic End Plugs

MATERIAL: .125 THK HOT ROLLED STEEL

		ROBERTS AVIATION		
		2 x 2 END CAPS		
	SIZE	FSCM NO. N/A	DWG NO. 1032	REV 0
10-06-07	SCALE 1/1	2 EACH	SHEET 1 of 1	

REVISIONS				
ZONE	REV	DESCRIPTION	DATE	APPROVED



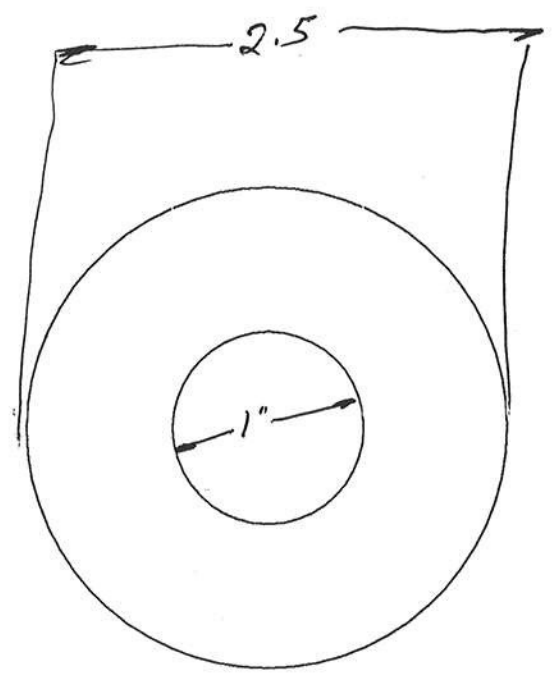
PLASTIC END PLUGS

MATERIAL: .125 THK HOT ROLLED STEEL

		ROBERTS AVIATION		
		3 x 3 END CAPS		
	SIZE	FSCM NO. N/A	DWG NO. 1033	REV 0
10-06-07	SCALE 1/1	2 EACH	SHEET 1 of 1	



REVISIONS				
ZONE	REV	DESCRIPTION	DATE	APPROVED

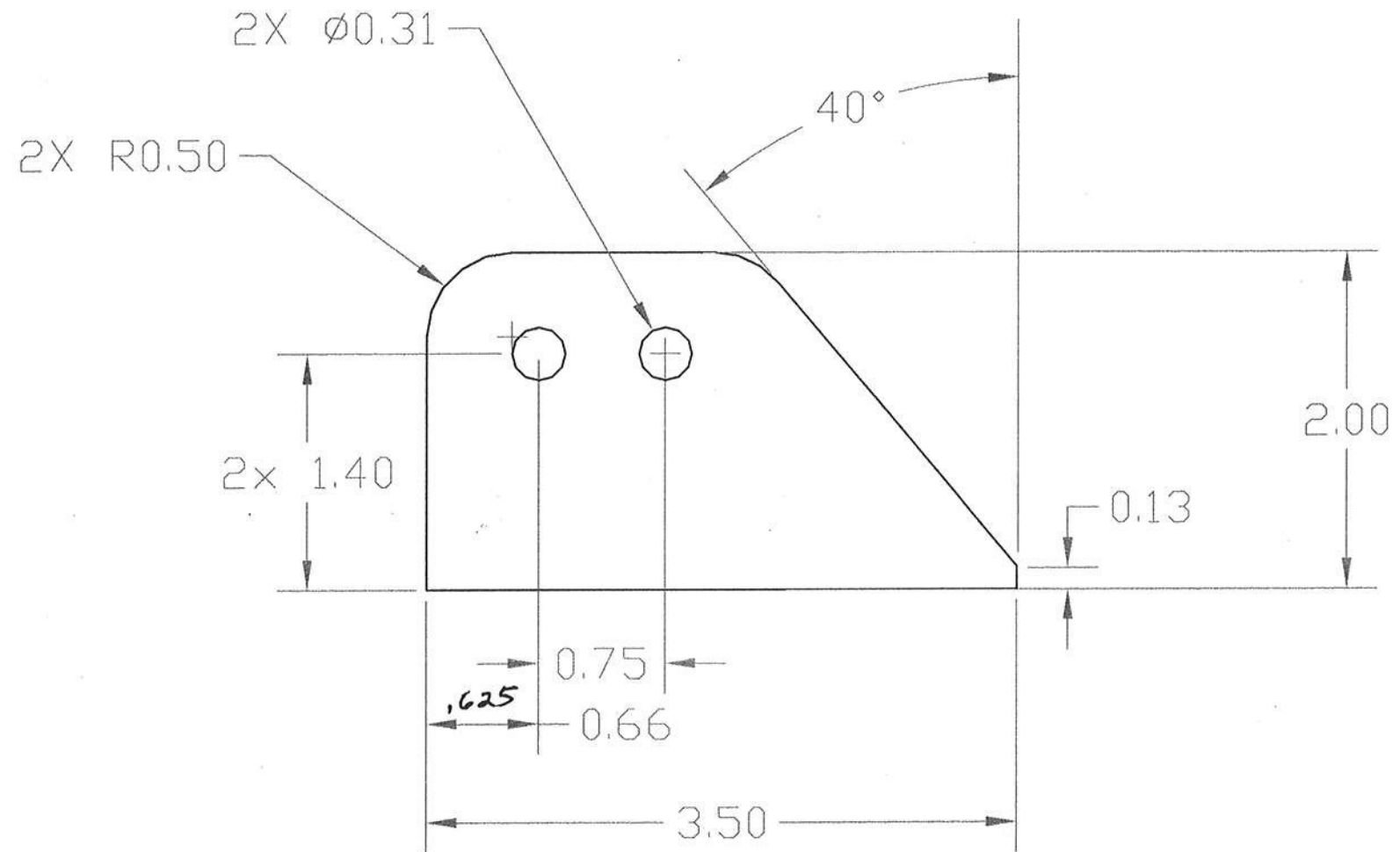


1.25 Thick



ROBERTS AVIATION			
1 INCH WASHER			
SIZE	FSCM NO.	DWG NO.	REV
		1034	
SCALE			SHEET

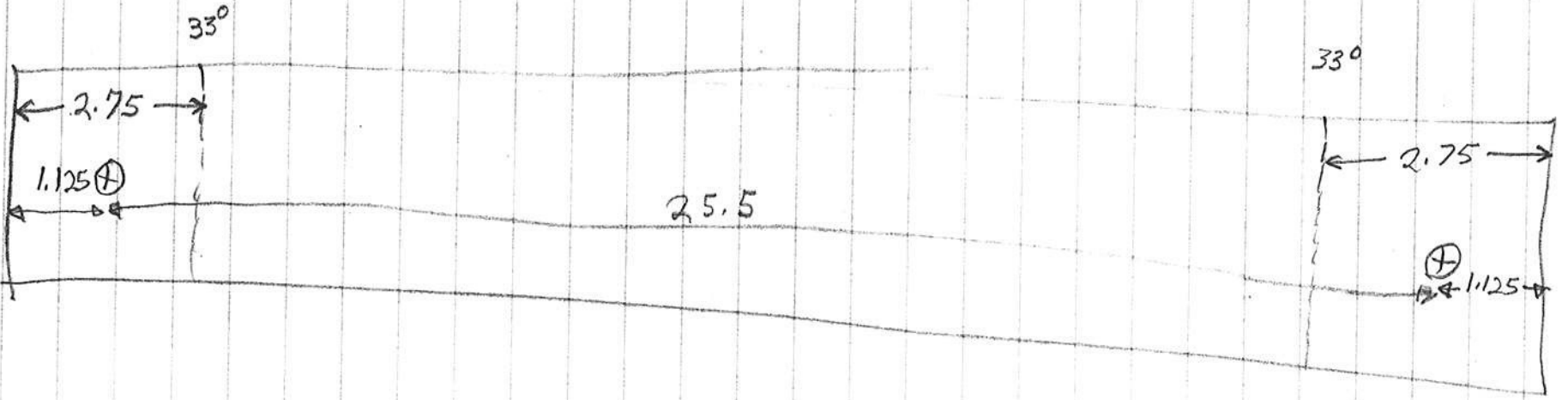
REVISIONS				
ZONE	REV	DESCRIPTION	DATE	APPROVED



MATERIAL: .375 THK HOT ROLLED STEEL

	ROBERTS AVIATION			
	REAR CLEVIS BLOCK			
	SIZE	FSCM NO. N/A	DWG NO. 1035	REV 0
08-18-07	SCALE 1/1	1 EACH	SHEET 1 of 1	

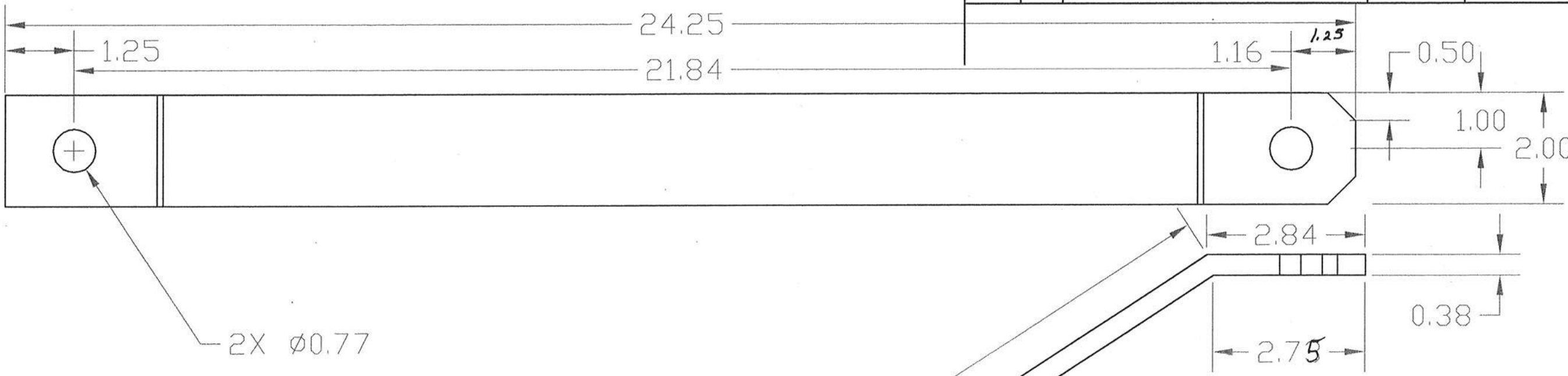
~~22.25~~
~~25.75~~
8.5
27.18



$27 \frac{3}{4}$

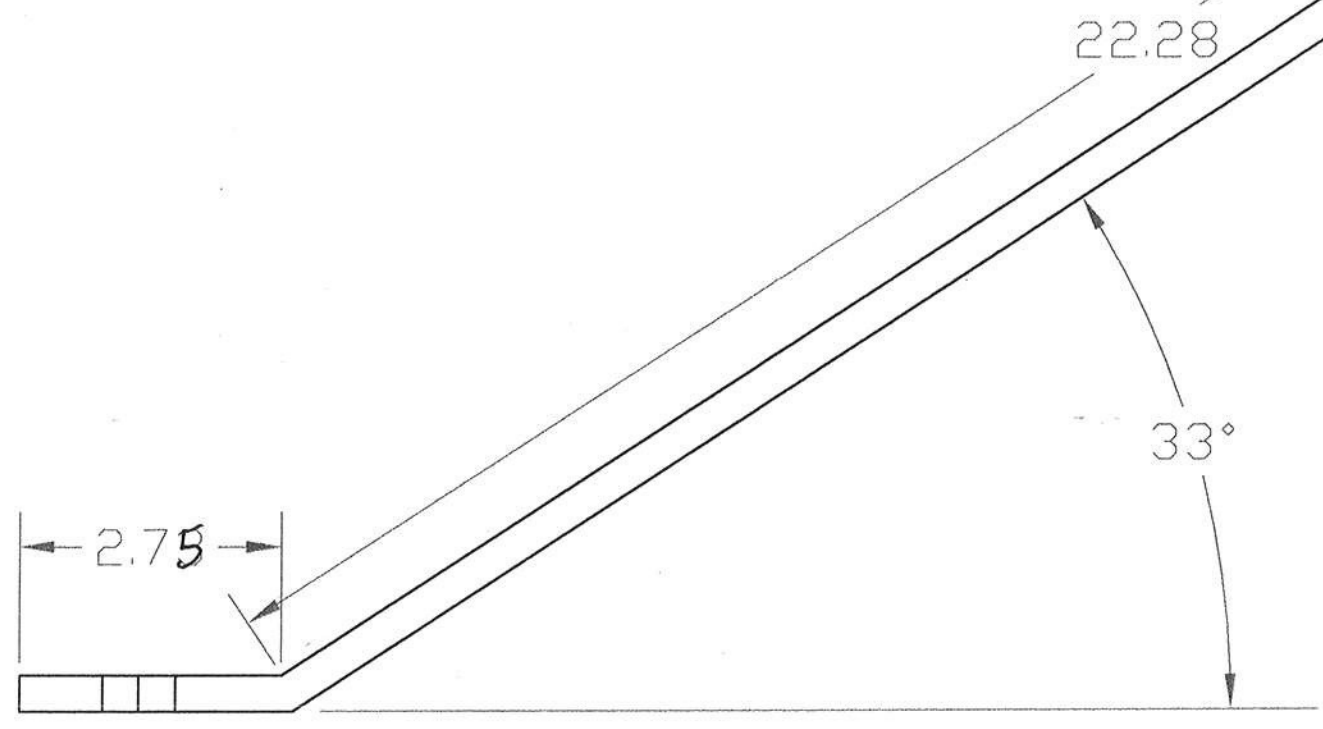
259 *in*

REVISIONS				
ZONE	REV	DESCRIPTION	DATE	APPROVED



TOTAL LENGTH OF PLATE BEFORE BEND
 IS $22.28 + 2.84 + 2.73 = 27.85$ INCHES
 $2.74 - .250 = 2.49$
 $2.74 - \text{Cold} = 2.76$
 $2.49 + 2.76 = 27.76$

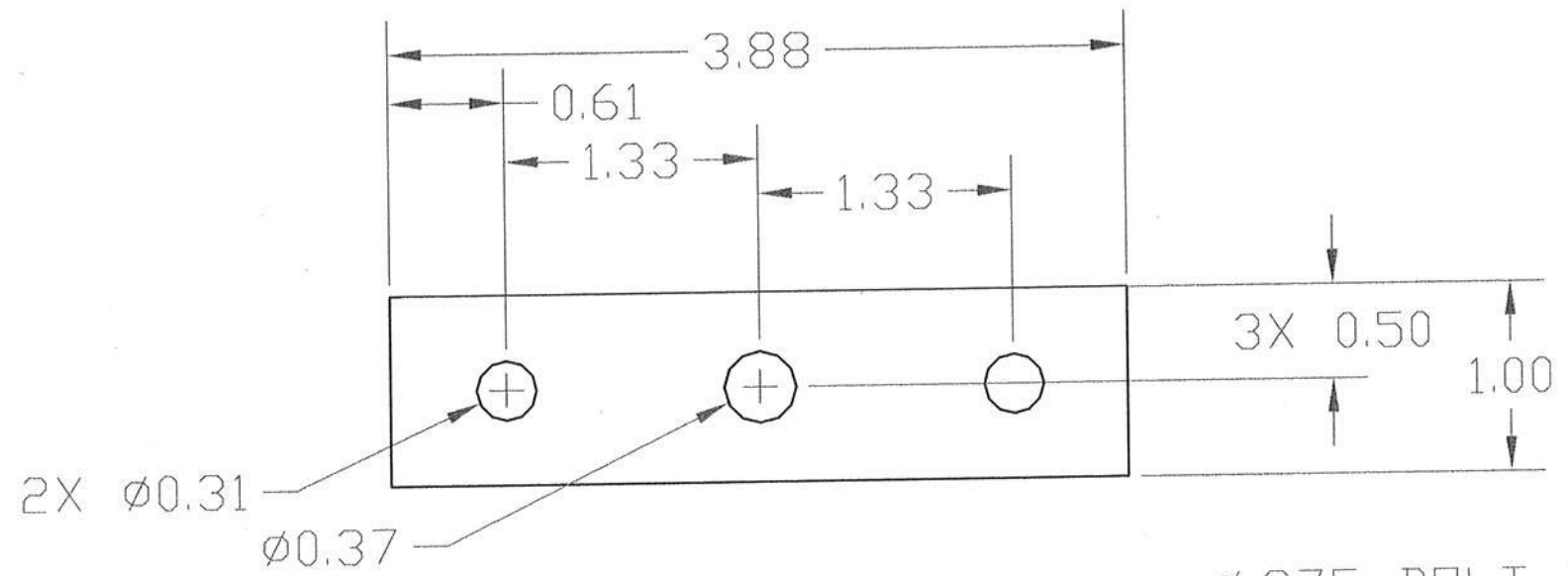
MATERIAL: ~~.375~~ THK ~~HOT~~ ROLLED STEEL



ROBERTS AVIATION			
REAR PIVOT ARM			
DATE	SIZE	FSCM NO.	DWG NO.
09-23-07		N/A	1036
SCALE	1/2	2 EACH	SHEET 1 of 1
			REV 0

REVISIONS				
ZONE	REV	DESCRIPTION	DATE	APPROVED

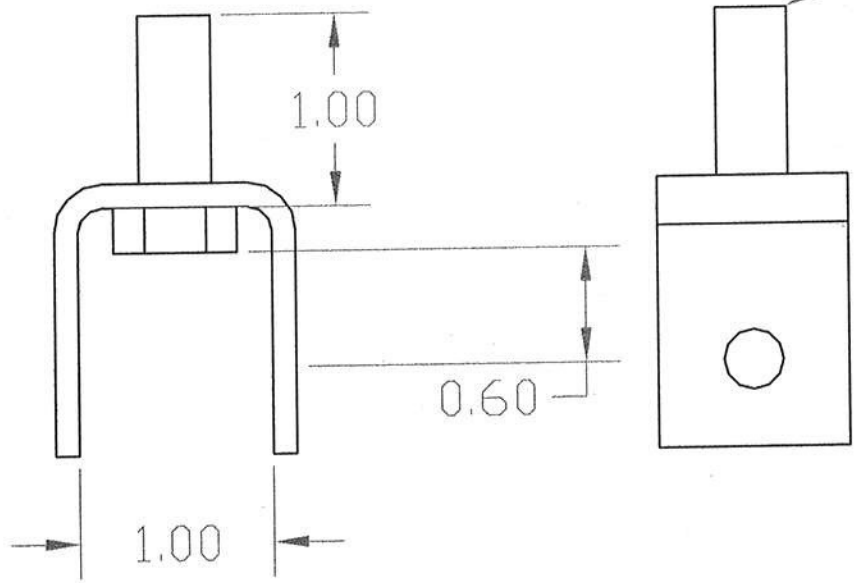
.32



2X $\phi 0.31$

$\phi 0.37$

$\phi .375$ BOLT 1 INCH LONG



MATERIAL: .125 X 1 HOT ROLLED STEEL

		ROBERTS AVIATION		
		REAR CLEVIS		
SIZE	FSCM NO.	DWG NO.	REV	
	N/A	1038	0	
09-23-07	SCALE 1/1	1 EACH	SHEET 1 of 1	

8

7

6

5

4

3

2

1

REVISIONS				
ZONE	REV	DESCRIPTION	DATE	APPROVED

D

D

C

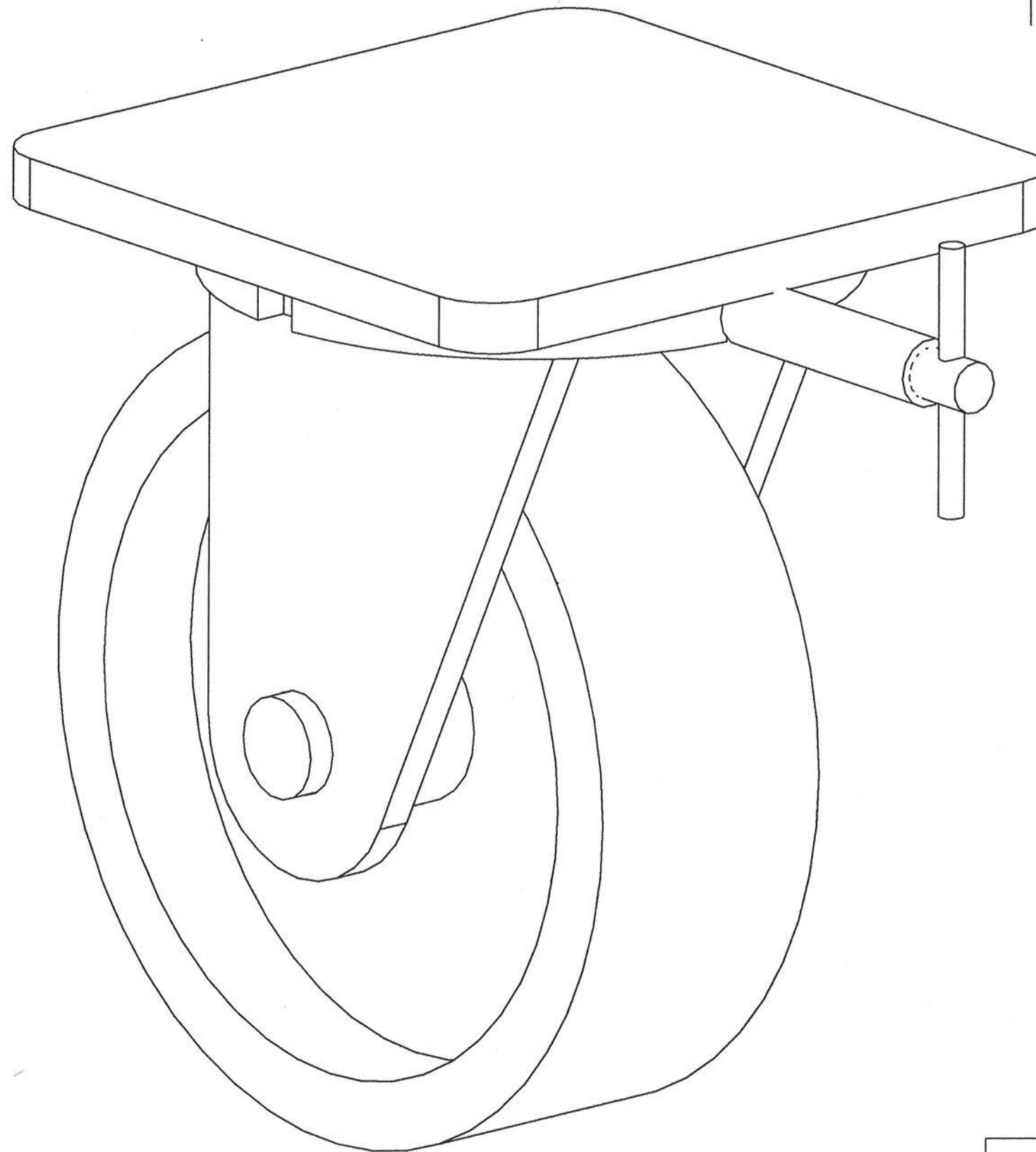
C

B

B

A

A



Center Rear Wheel

		WHEEL, SWIVEL W/SWIVEL LOCKING		
	SIZE	FORM NO.	DWG NO.	REV
B	B		1039	0
SCALE N/A		SHEET 1 of 1		

8

7

6

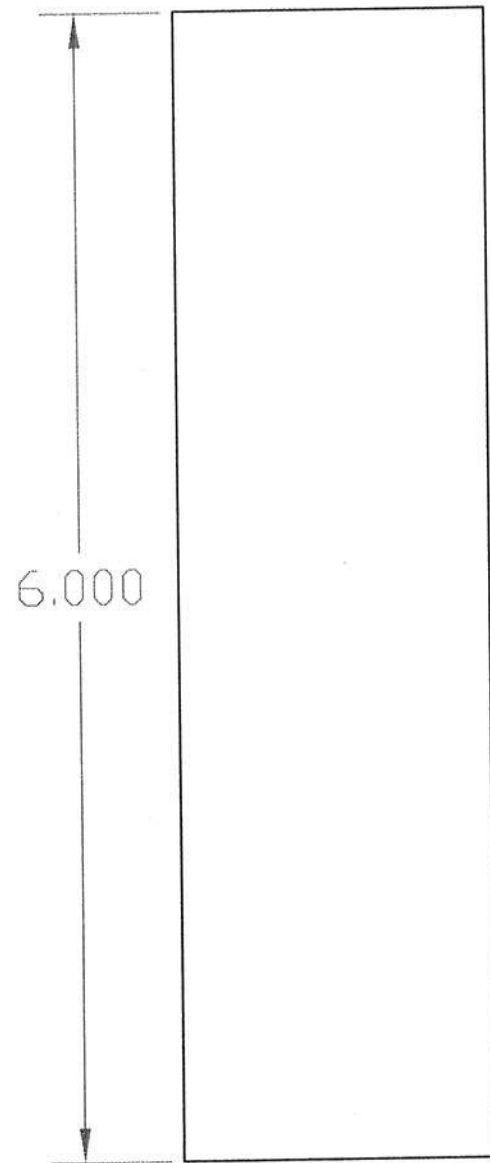
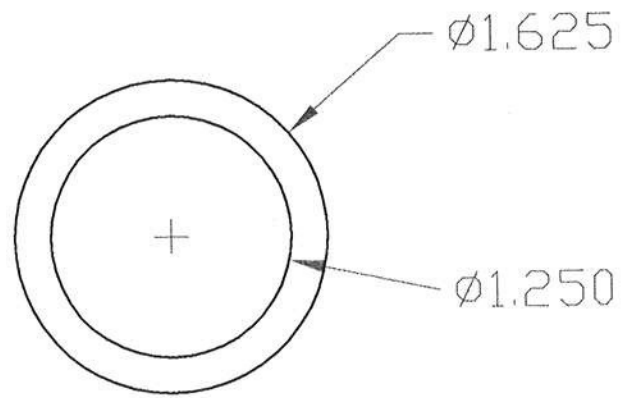
5

4

3

2

1

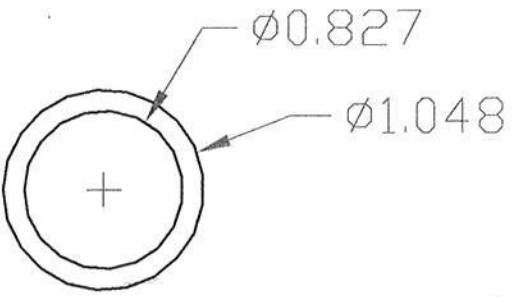
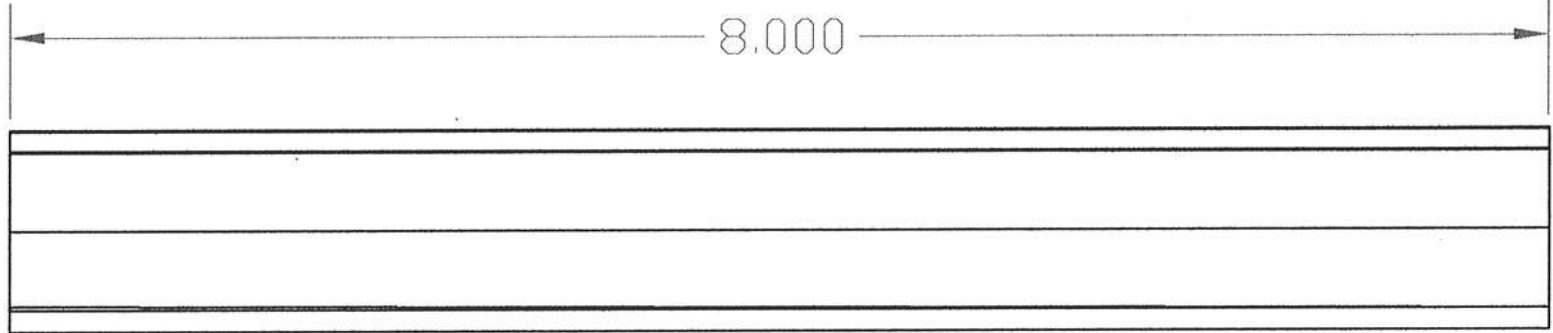


REVISIONS				
ZONE	REV	DESCRIPTION	DATE	APPROVED

MATERIAL: SCHEDULE 80 STEEL PIPE ϕ 1 1/4

	ROBERTS AIRCRAFT			
	JACK LIFT TUBE			
	SIZE	FSCM NO.	DWG NO.	REV
		N/A	1040	0
08-18-07	SCALE	1/1	1 EACH	SHEET 1 of 1

REVISIONS				
ZONE	REV	DESCRIPTION	DATE	APPROVED

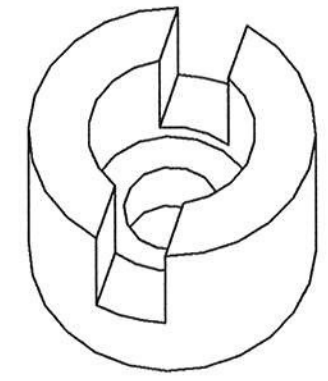
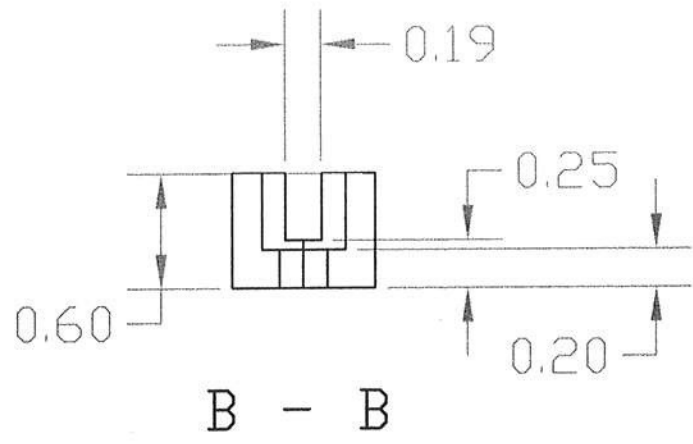
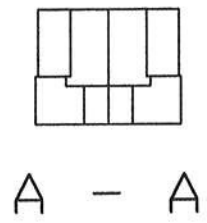
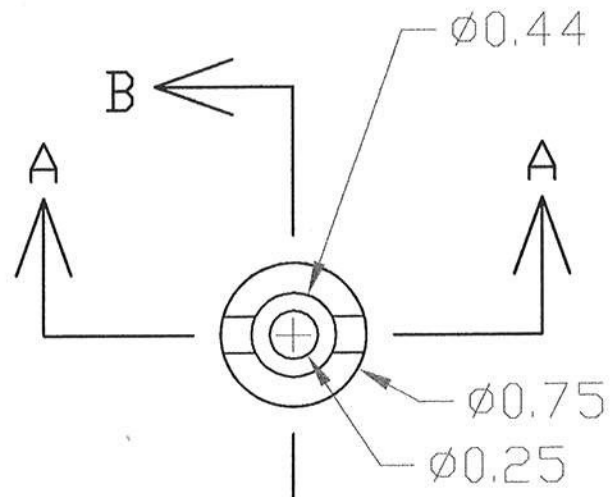


MATERIAL: 1 INCH STEEL PIPE

		ROBERTS AIRCRAFT		
		JACK PLATE PIVOT TUBE		
	SIZE	FSCM NO.	DWG NO.	REV
		N/A	1041	0
09-01-06	SCALE	1/1	1 EACH	SHEET 1 of 1

B

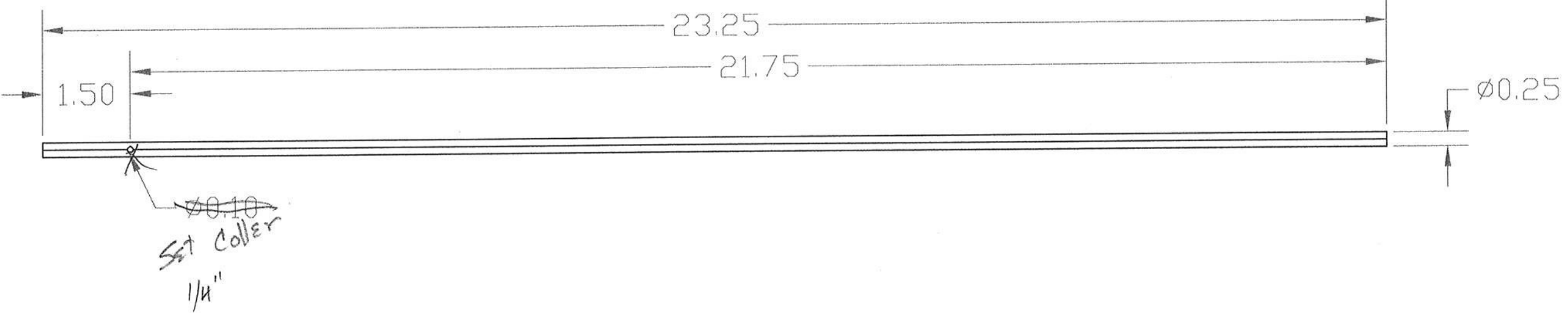
REVISIONS				
ZONE	REV	DESCRIPTION	DATE	APPROVED



MATERIAL: .75 DIA STEEL BAR

		ROBERTS AVIATION		
		JACK LOWERING VALVE		
SIZE	FSCM NO.	DWG NO.	REV	
	N/A	1044	0	
08-18-07	SCALE 1/1	1 EACH	SHEET 1 of 1	

REVISIONS				
ZONE	REV	DESCRIPTION	DATE	APPROVED

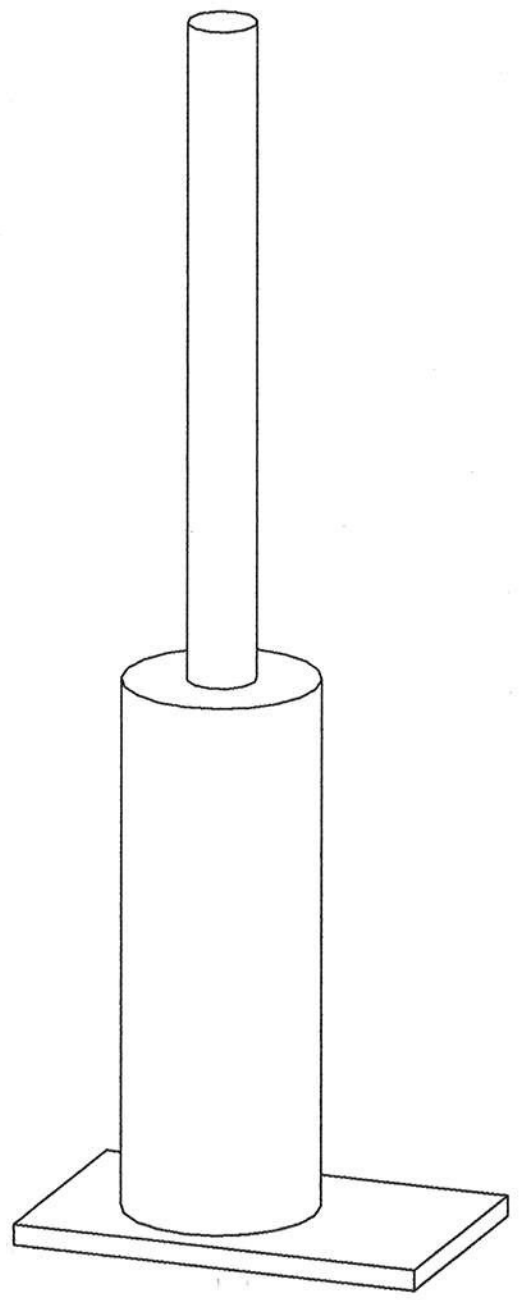


MATERIAL: $\phi 0.25$ STEEL ROD

		ROBERTS AVIATION		
		VALVE SHAFT		
	SIZE	FSCM NO.	DWG NO.	REV
		N/A	1045	0
9-22-07	SCALE	1/2	1 EACH	SHEET 1 of 1



REVISIONS				
ZONE	REV	DESCRIPTION	DATE	APPROVED

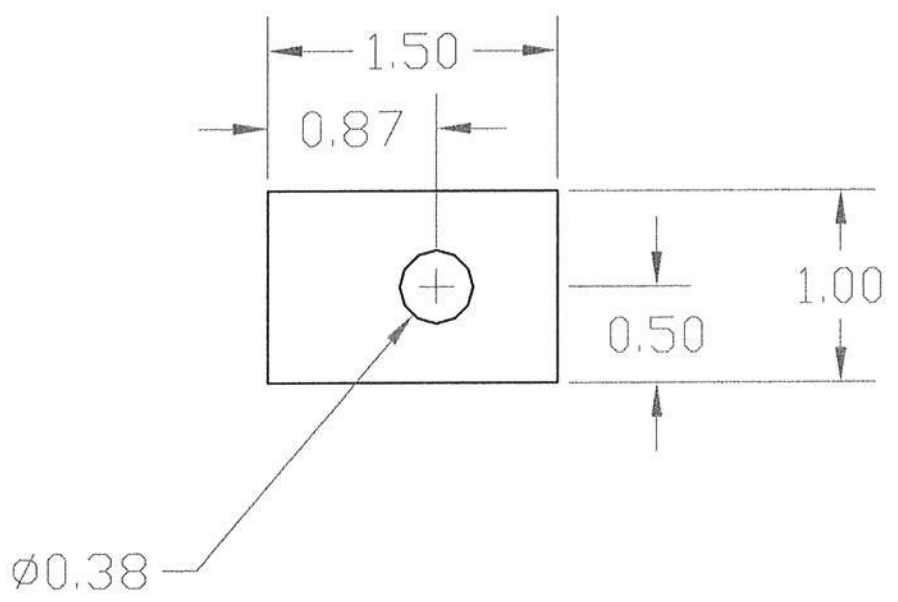


		JACK		
SIZE	FSCM NO.	DWG NO.	REV	
B		1046	0	
SCALE N/A		B	SHEET 1 of 1	

REVISIONS				
ZONE	REV	DESCRIPTION	DATE	APPROVED

.23 EV

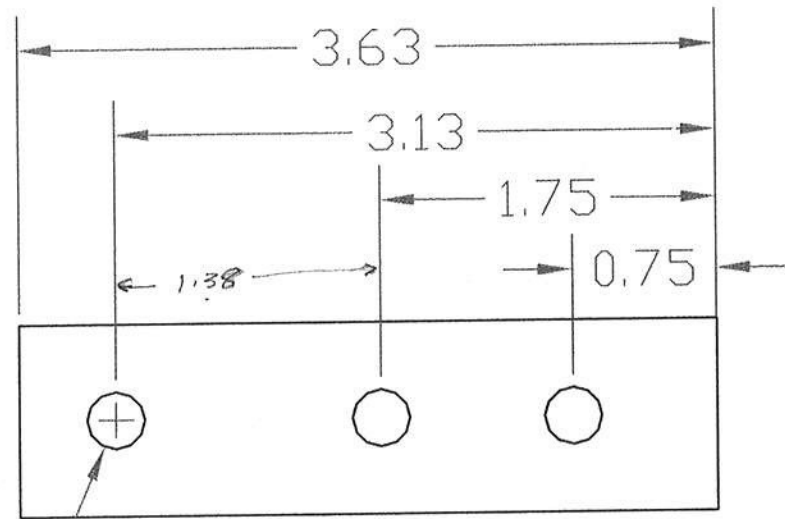
(C)



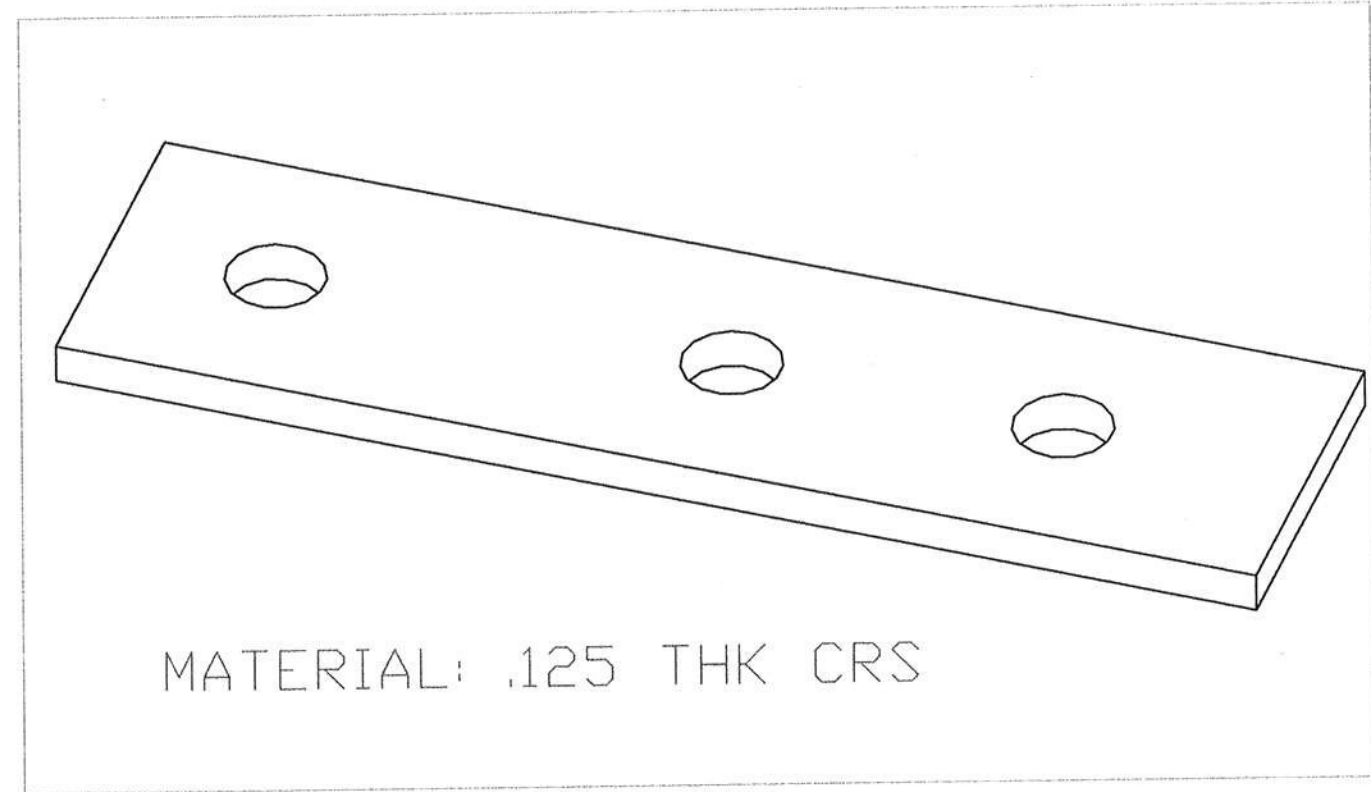
MATERIAL: .375 THK HOT ROLLED STEEL

		ROBERTS AVIATION		
		JACK PIVOT EARS		
SIZE	FSCM NO.	DWG NO.	REV	
	N/A	1047	0	
08-18-07		SCALE 1/1	SHEET 1 of 1	

REVISIONS				
ZONE	REV	DESCRIPTION	DATE	APPROVED

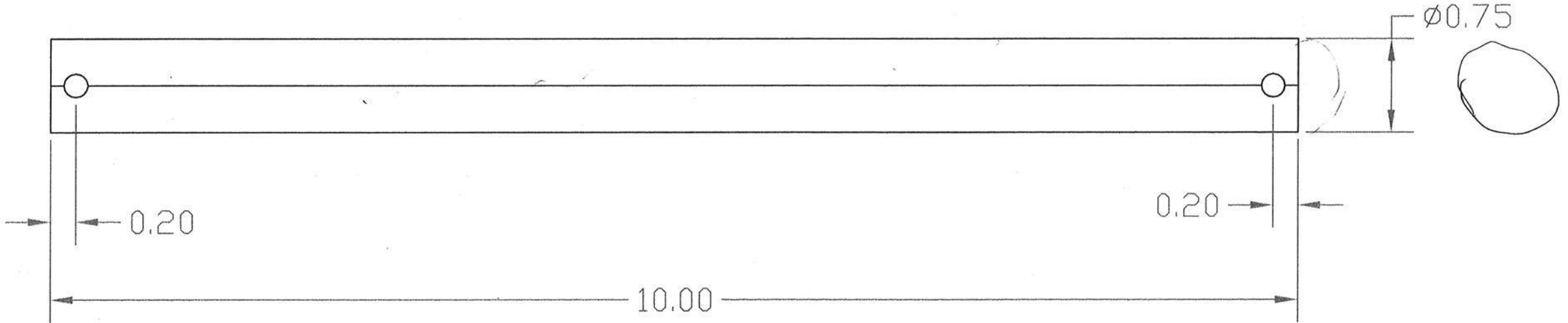


3X ϕ .297



		ROBERTS AVIATION		
		VALVE SHAFT HOLDER		
	SIZE	FSCM NO.	DWG NO.	REV
		N/A	1049	0
09-23-07	SCALE 1/1	1 EACH	SHEET 1 of 1	

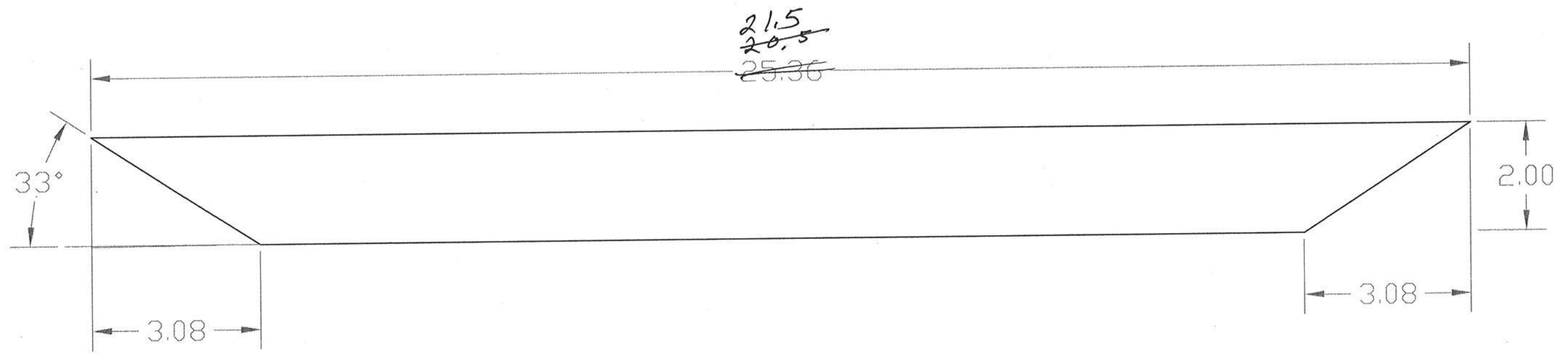
REVISIONS				
ZONE	REV	DESCRIPTION	DATE	APPROVED



1	ROD	$\varnothing 0.75$ INCH ROD 10 LONG		
		ROBERTS AVIATION		
		JACK PIVOT SHAFT		
	SIZE	FSCM NO.	DWG NO.	REV
		N/A	1051 1051	0
05-01-07	SCALE	1/1	1 EACH	SHEET 1 of 1

2.20 PF

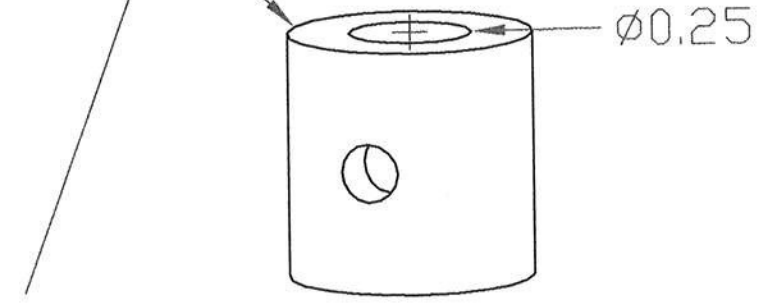
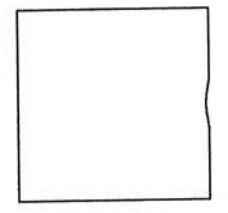
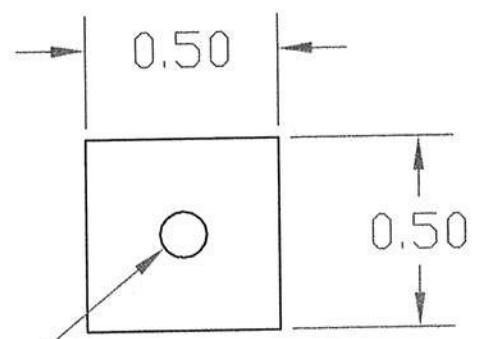
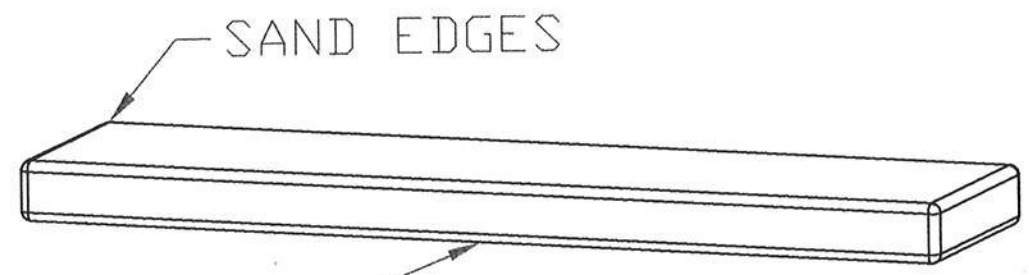
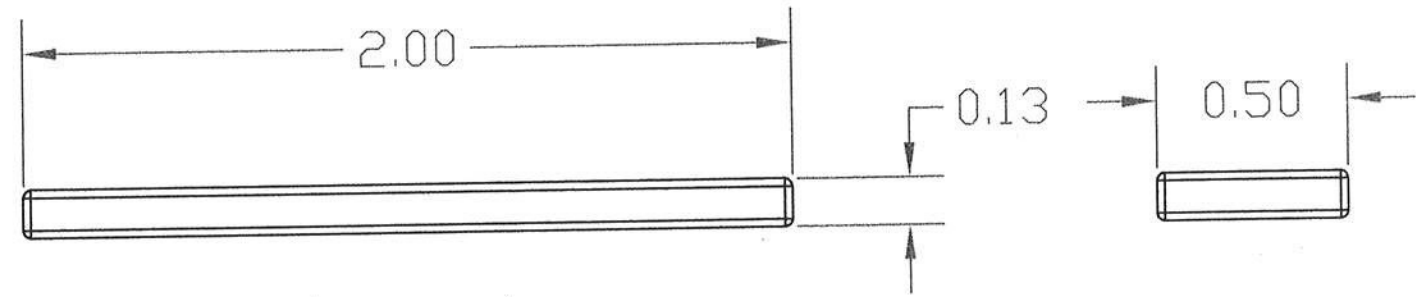
REVISIONS				
ZONE	REV	DESCRIPTION	DATE	APPROVED



MATERIAL: .25 THK HOT ROLLED STEEL

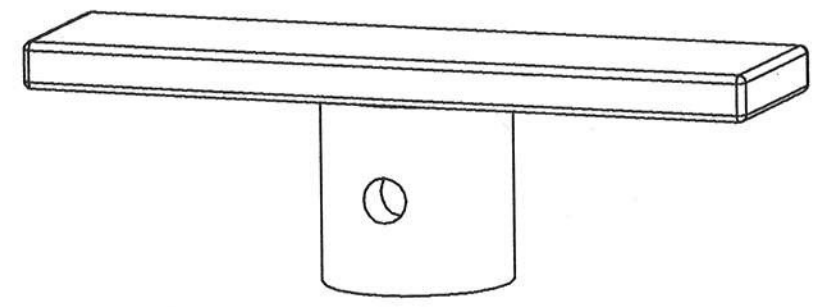
	ROBERTS AVIATION			
	SUPPORT, PIVOT ARM			
	SIZE	FSCM NO.	DWG NO.	REV
		N/A	1052	0
09-22-07	SCALE	1/2	2 EACH	SHEET 1 of 1

REVISIONS				
ZONE	REV	DESCRIPTION	DATE	APPROVED



→ $\phi .106$
 ~~$\phi .12$~~ ONE SIDE
 #6-32 SET SCREW

WELD PARTS TOGETHER
 DRILL OUT HOLE IF NEEDED

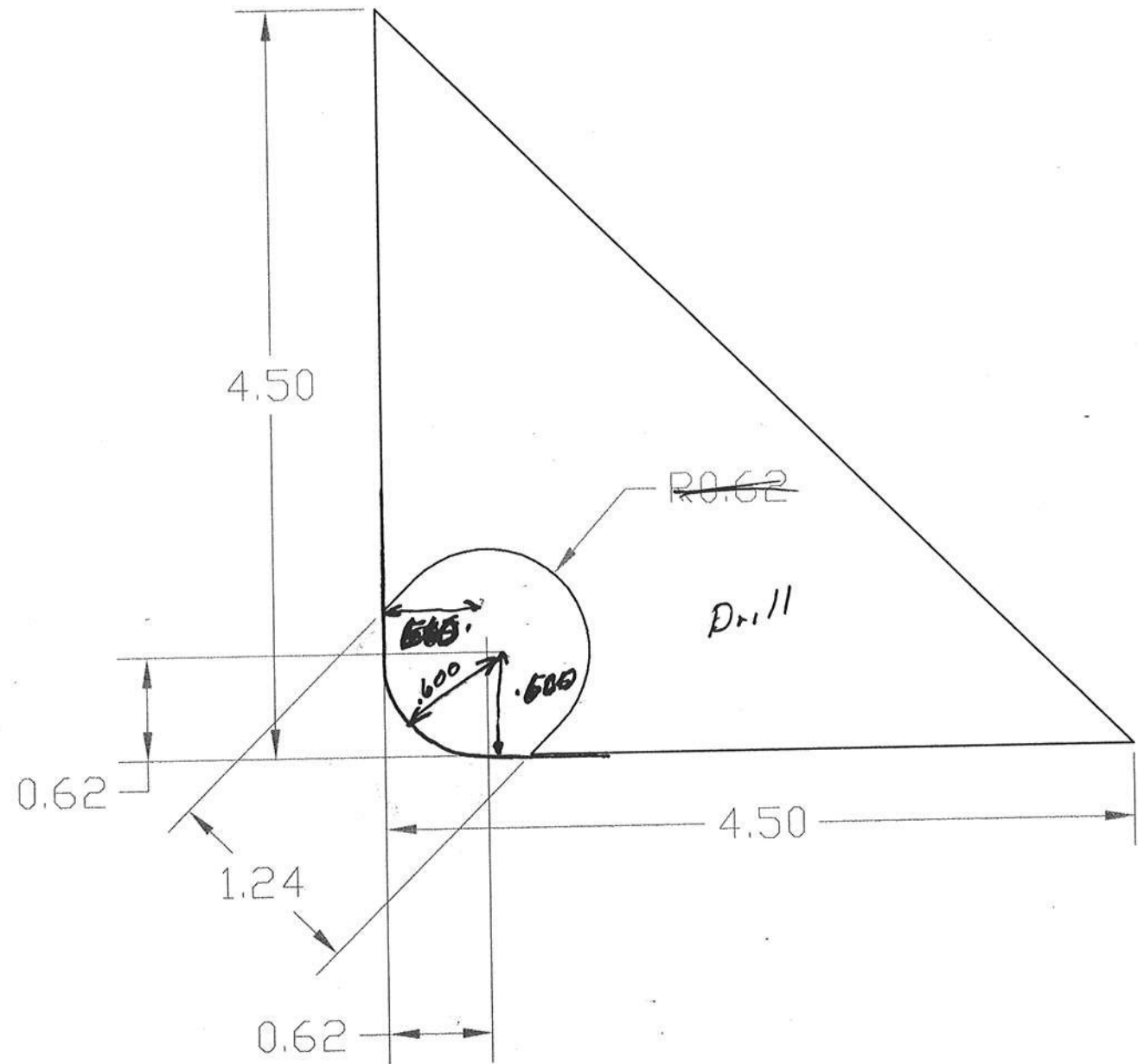


FINISHED PART

1.00

		ROBERTS AVIATION		
		VALVE HANDLE		
SIZE	FSCM NO.	DWG NO.	REV	
	N/A	1055	0	
09-09-07	SCALE 2/1	1 EACH	SHEET 1 of 1	

REVISIONS				
ZONE	REV	DESCRIPTION	DATE	APPROVED
		3.04 Ea		



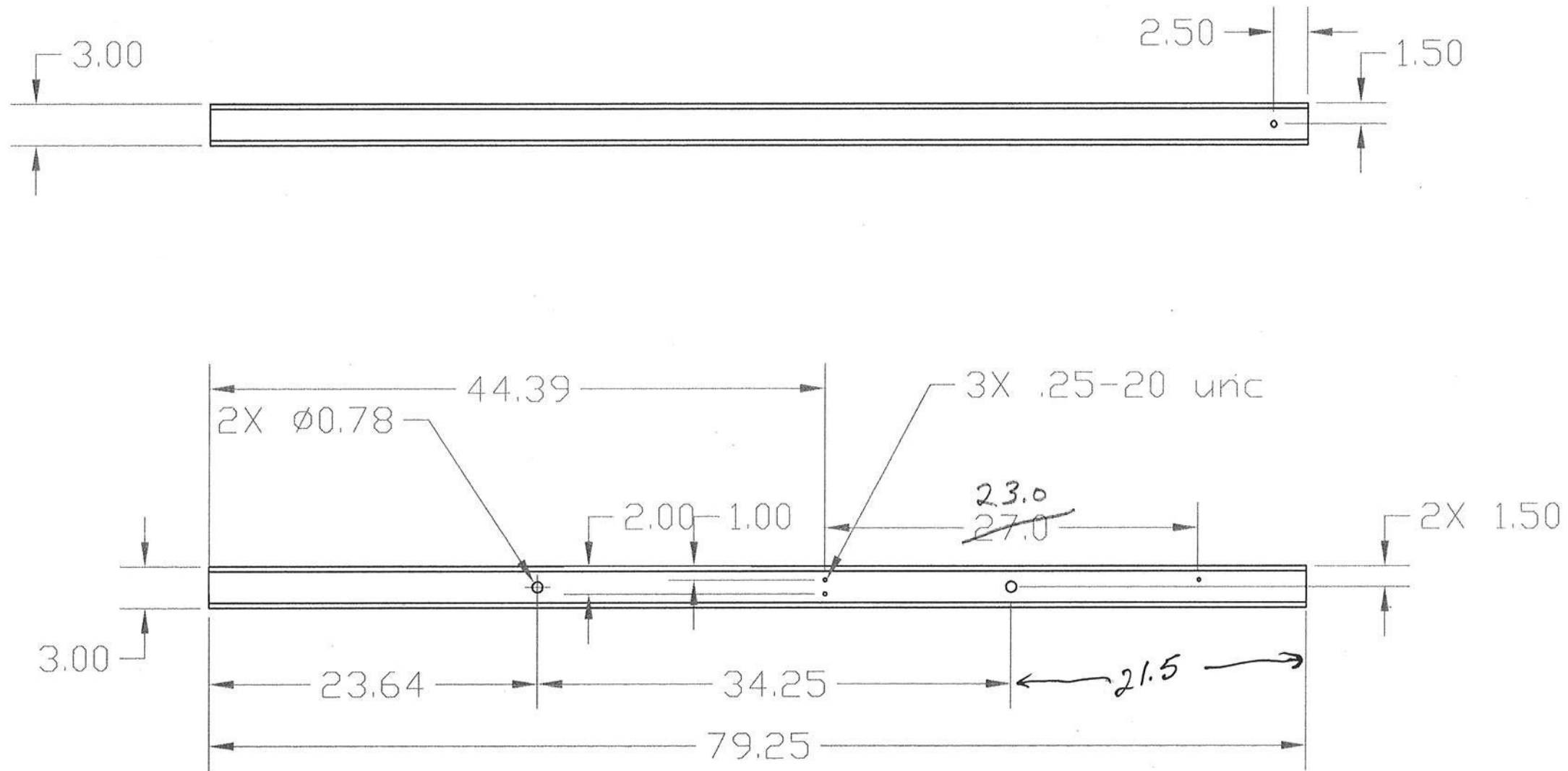
(C)

MATERIAL: .375 THK COLD ROLLED STEEL

LOWER REAR LEVEL GUSSET	ROBERTS AVIATION			
	JACK BOX ?????PLATE GUSSET			
	SIZE	FSCM NO.	DWG NO.	REV
		N/A	1059 1059	0
08-18-07	SCALE 1/1	2 EACH	SHEET 1 of 1	

17"

REVISIONS				
ZONE	REV	DESCRIPTION	DATE	APPROVED

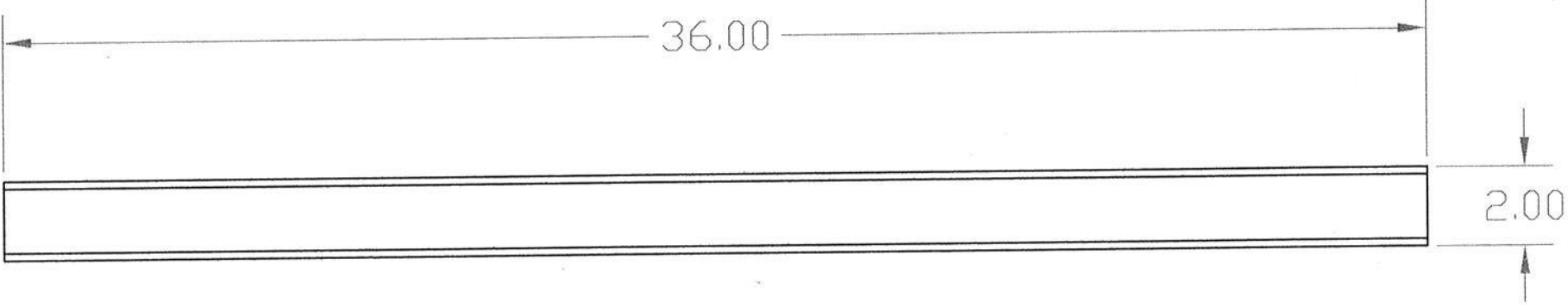


MATERIAL: 3 x 3 SQUARE TUBE

		ROBERTS AVIATION		
		FRAME, LOWER		
	SIZE	FSCM NO.	DWG NO.	REV
		N/A	1060	0
02-03-08	SCALE	1/4	2 EACH	SHEET 1 of 1

REVISIONS				
ZONE	REV	DESCRIPTION	DATE	APPROVED

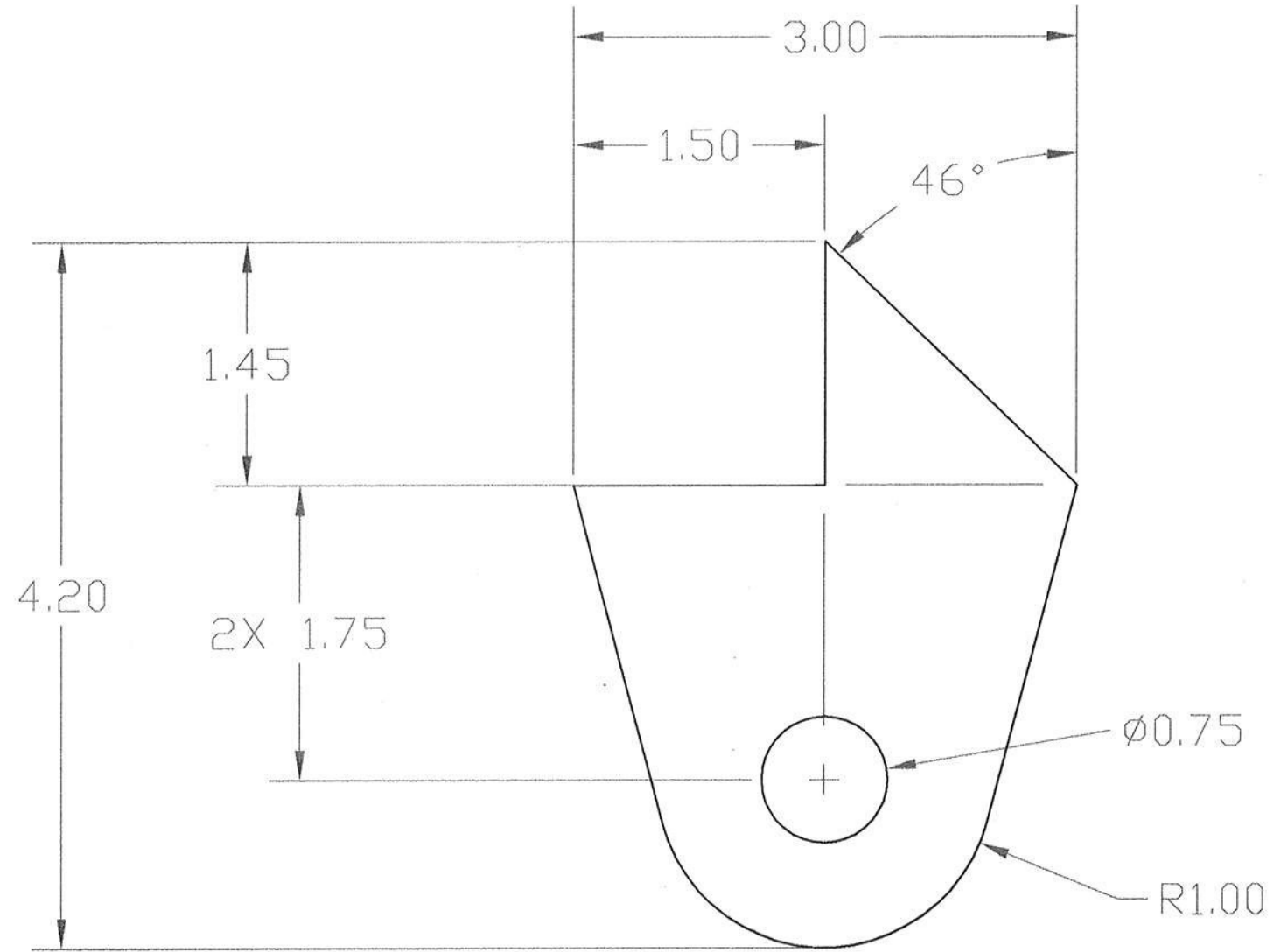
(X3)



MATERIAL: 2" X 2" SQUARE TUBE

		ROBERTS AVIATION		
		UPPER FRAME SIDE & CROSS PIECES		
L-21-07	SIZE	FSCM NO. N/A	DWG NO. 1062	REV 0
12-26-06	SCALE 1/4	3 EACH	SHEET 1 of 1	

REVISIONS				
ZONE	REV	DESCRIPTION	DATE	APPROVED

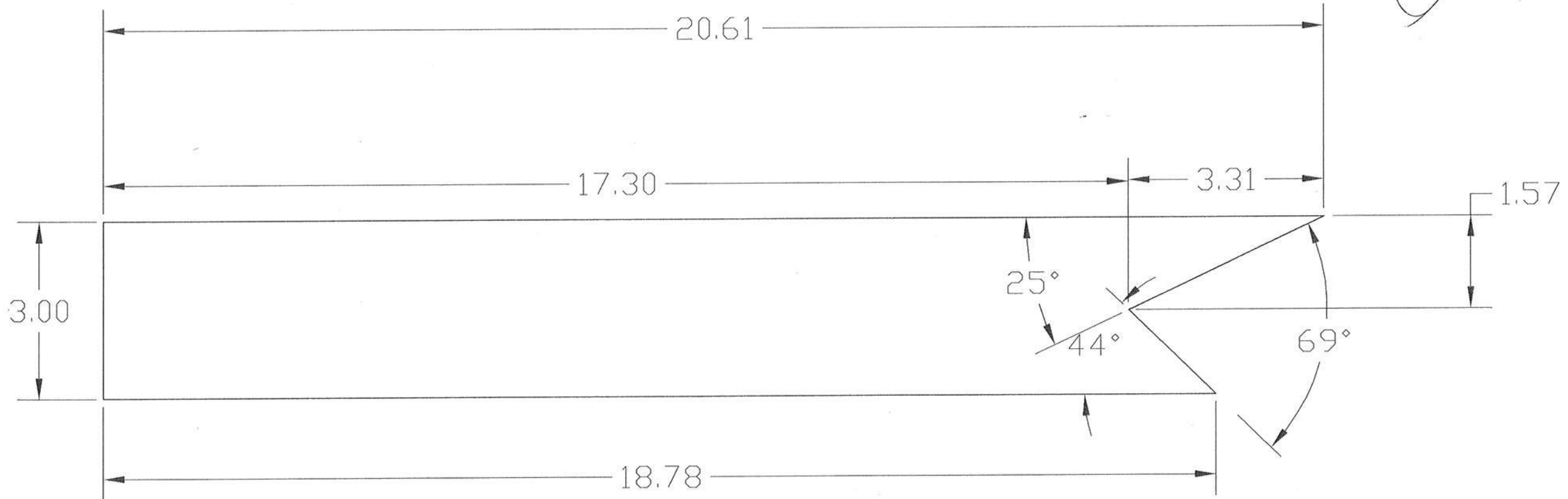


MATERIAL: .375 THK HOT ROLLED STEEL

		ROBERTS AVIATION		
		UPPER REAR PIVOT		
	SIZE	FSCM NO. N/A	DWG NO. 1063	REV 0
02-03-08	SCALE 1/1	2 EACH	SHEET 1 of 1	

REVISIONS				
ZONE	REV	DESCRIPTION	DATE	APPROVED

C

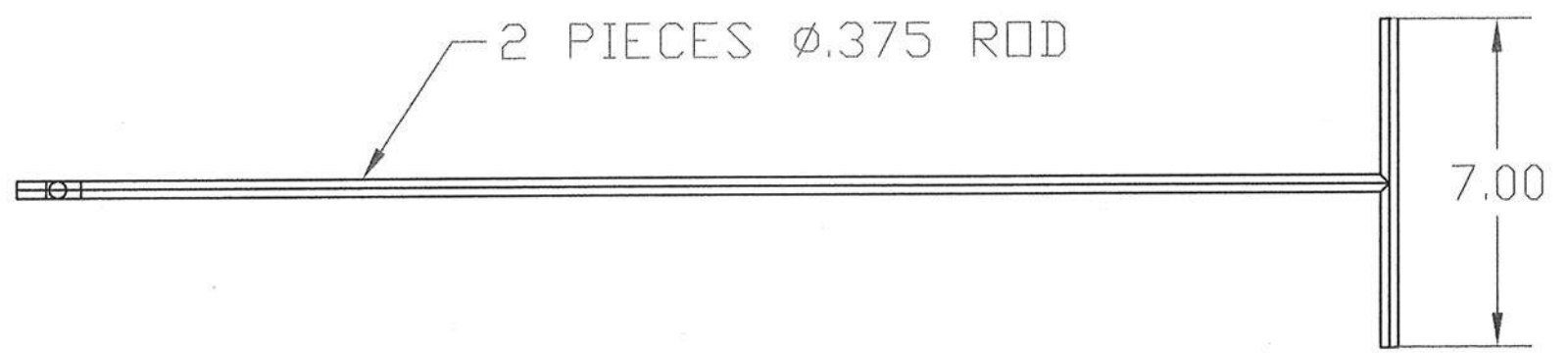
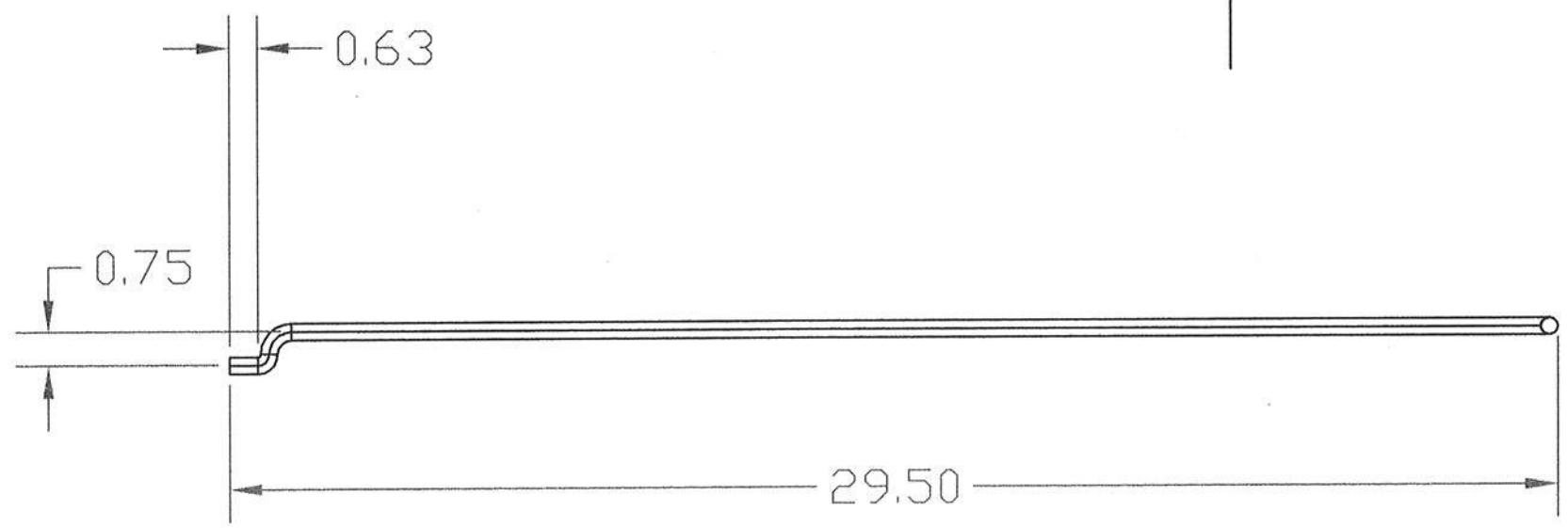


MATERIAL: .375 THK COLD ROLLED STEEL

		ROBERTS AVIATION		
		MAIN JACK BOX GUSSET		
SIZE	FSCM NO.	DWG NO.	REV	
	N/A	1064	0	
05-26-09	SCALE 1/2	2 EACH	SHEET 1 of 1	



REVISIONS				
ZONE	REV	DESCRIPTION	DATE	APPROVED

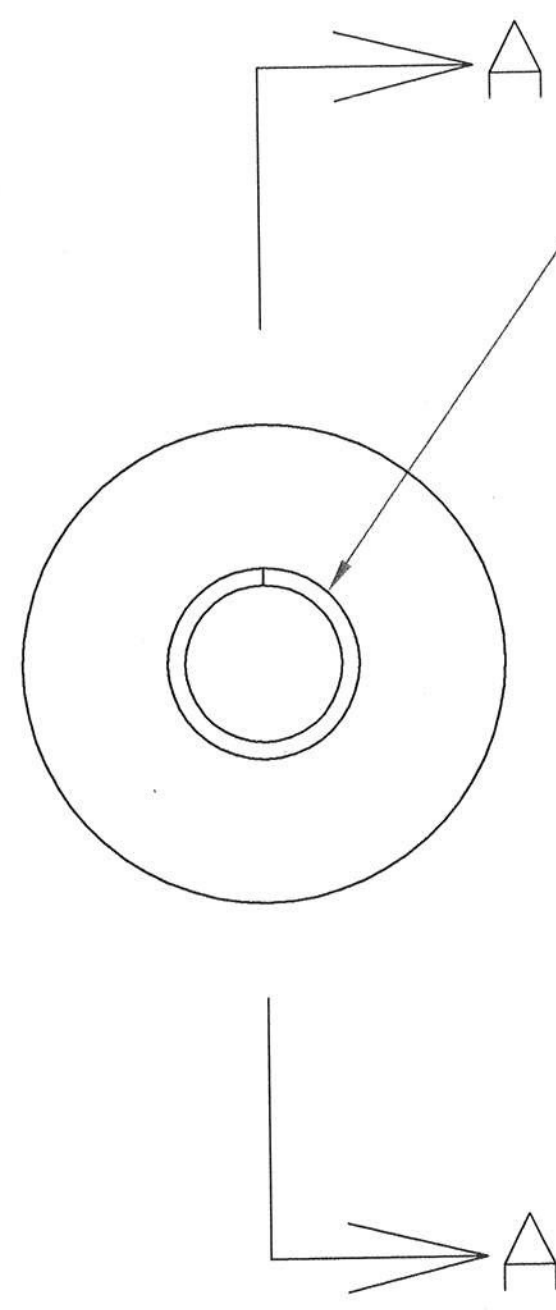


2.00 PF

		ROBERTS AVIATION		
		HUFF HOOK		
	SIZE	FSCM NO.	DWG NO.	REV
		N/A	1065	0
05-01-07	SCALE 1/1	1 EACH	SHEET 1 of 1	



REVISIONS				
ZONE	REV	DESCRIPTION	DATE	APPROVED

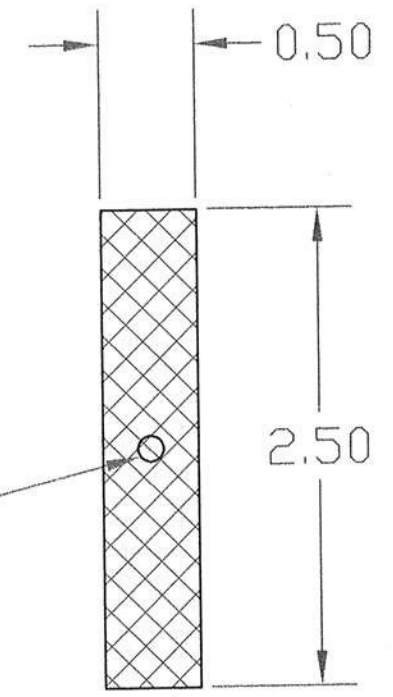


1" - ~~5 ACME~~ THREAD



1" No Threads

.136 DRILL
#8-32 TAP

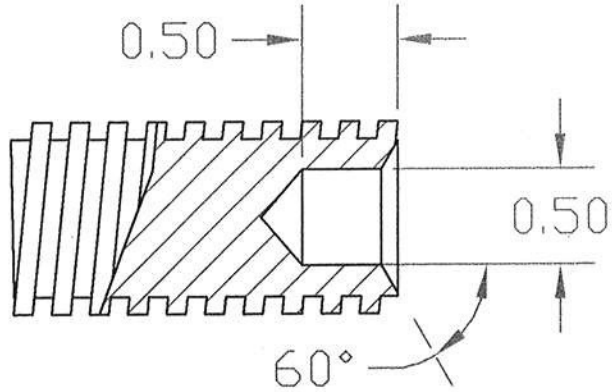
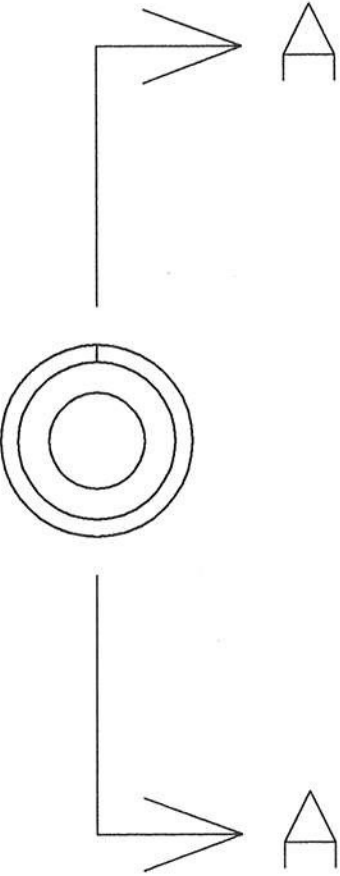
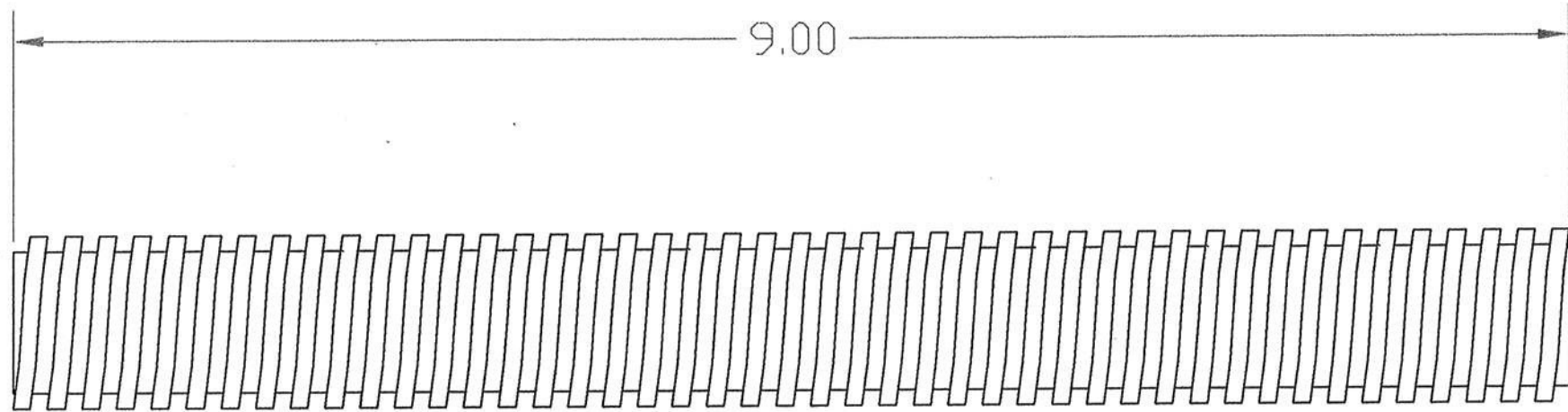


SECTION A - A

OUTSIDE IS
KNURLED

		ROBERTS AVIATION		
		GODBER WHEEL		
	SIZE	FSCM NO. N/A	DWG NO. 1066	REV 0
07-09-07	SCALE 1/1	2 EACH	SHEET 1 of 1	

REVISIONS				
ZONE	REV	DESCRIPTION	DATE	APPROVED



SECTION A-A

		ROBERTS AVIATION		
		TACK SCREW		
SIZE	FSCM NO.	DWG NO.	REV	
	N/A	1067	0	
05-26-07	SCALE 1/1	2 EACH	SHEET 1 of 1	