



**dukes, inc.**

9060 winnetka avenue  
northridge, california 91324

## MANDATORY SERVICE BULLETIN

NO. 0002/PAGE 1

5-17-94

**SUBJECT:** DUKES INC. ELECTRIC FUEL BOOST PUMPS

**PURPOSE:** THIS BULLETIN IS NECESSITATED BY THE FACT THAT SOME OF THE CARBON VANES IN THE OLDER PUMPS HAVE SHATTERED DUE TO THE INGESTION OF CONTAMINATES INTO THE PUMP. IN SOME CASES THESE PARTICLES HAVE FOUND THEIR WAY TO THE MAIN ENGINE FUEL PUMP AND CAUSED THE REED TYPE VALVES TO MALFUNCTION, RESULTING IN REDUCTION OR LOSS OF ENGINE POWER.

**NOTE:** ANY PUMP EITHER NEW OR OVERHAULED BY DUKES INC. AFTER 1/1/88 ALREADY CONTAINS NYLATRON VANES. THESE PUMPS CAN BE IDENTIFIED BY EITHER A YELLOW DECAL ON THE BASE OF THE PUMP OR BY THE LETTERS "NV" FOLLOWING THE PART NUMBER. PUMPS IDENTIFIED AS CONTAINING NYLATRON WILL NOT REQUIRE SERVICE UNTIL THE TEN YEAR TBO HAS BEEN REACHED.

**COMPLIANCE:** COMPLIANCE MUST BE ACCOMPLISHED BY ONE OF THE FOLLOWING METHODS:

1. REPLACEMENT OF EXISTING PUMP WITH A NEW UNIT.
2. INSTALLATION OF DUKES ROTOR KIT #2140-220 IN EXISTING PUMP.
3. OVERHAUL OF EXISTING PUMP BY INSTALLATION OF DUKES OVERHAUL KIT #2140-224.

**NOTE:** DUKES RECOMMENDS ALL PUMPS BE OVERHAULED EVERY 10 YEARS. (SEE DUKES SERVICE BULLETIN 0004.) USE KIT #2140-220 FOR PUMPS NOT OLDER THAN 10 YEARS SINCE NEW OR LAST OVERHAUL. USE KIT #2140-224 OVERHAUL KIT FOR PUMPS 10 YEARS OR OLDER SINCE NEW OR LAST OVERHAUL.

REQUIRED COMPONENT PARTS MUST BE PURCHASED FROM BEECHCRAFT OR THEIR AUTHORIZED DEALERS. COMPLIANCE IS MANDATORY WITHIN THE NEXT 100 HOURS OR NOT LATER THAN 8/1/95.

**RESPONSIBILITY:** WILL BE THE OWNER/OPERATOR.

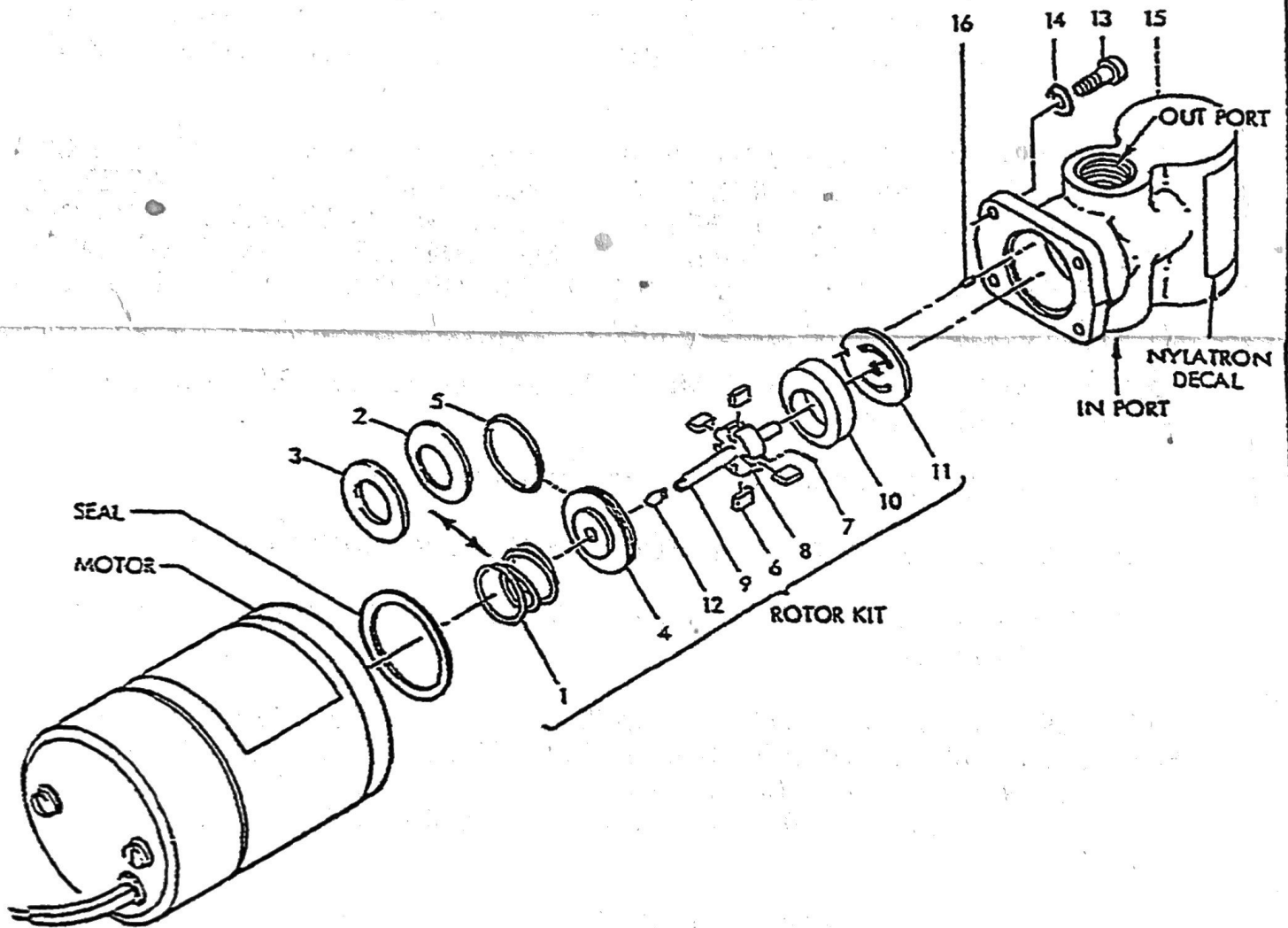
**EFFECTIVITY:** SEE ATTACHED LIST FOR AFFECTED DUKES PART NUMBERS.



**dukes, inc.**  
9060 winnetka avenue  
northridge, california 91324

### MANDATORY SERVICE BULLETIN

NO. 0002/PAGE 2



**DUKES 4140 SERIES  
ELECTRIC FUEL BOOST PUMP**

## MANDATORY SERVICE BULLETIN

B E E C H C R A F T

NO.0002/PAGE 3

|             |               |      |
|-------------|---------------|------|
| 4140-00     | Prior to S/N: | 2835 |
| 4140-00-1   | Prior to S/N: | 3681 |
| 4140-00-7   | Prior to S/N: | 2141 |
| 4140-00-11  | Prior to S/N: | 1789 |
| 4140-00-39  | Prior to S/N: | 6264 |
| 4140-00-103 | Prior to S/N: | 0444 |
| 4150-00-1   | Prior to S/N: | ALL  |
| 4258-00     | Prior to S/N: | 0378 |
| 4404-00-1   | Prior to S/N: | 9864 |
| 4404-00-7   | Prior to S/N: | 0924 |
| 4613-00-1   | Prior to S/N: | 0820 |
| 4613-00-3   | Prior to S/N: | 0355 |
| 1132-00-1   | Prior to S/N: | 0167 |
| 1171-00-1   | Prior to S/N: | 0807 |
| 1296-00-1   | Prior to S/N: | 3535 |
| 1420-00-1   | Prior to S/N: | 0251 |