



# AIRCRAFT ENGINE ILLUSTRATED PARTS CATALOG

This illustrated parts catalog is provided as a reference for non-production Continental Motors aircraft engines. Part numbers cited in this catalog may have been superseded by a later part number.

1. Locate the figure representing your installed engine specification to determine the part number(s) required.
2. Contact an authorized Continental Motors Parts Distributor or Continental Motors Customer Service to check the part number supersedure history.

This catalog applies only to the engine model specifications listed below. For all other engine models, refer to <http://continentalmotors.aero>.

E-165 ALL    E-185 ALL    E-225 ALL

**FOR REFERENCE ONLY**

**PART NO. X30017  
CHANGE 2**

**AUGUST 2011**

# CURRENT STATUS OF PAGES AS OF: MAY 2010

This catalog has been edited to mask or remove information pertaining to current production engines. The remaining information, applicable to non-production engines, is untouched and identical to the original information, dated Sep 1970.

MODELS: E-165, E-185 & E-225

PARTS CATALOG X30017

PAGE	STATUS	PAGE	STATUS	PAGE	STATUS	PAGE	STATUS
Cover	2						
ii	2						
1	0						
2 thru 38	0						

Intentionally Left Blank

# SECTION I

## TABLE OF CONTENTS

### SECTION I

INTRODUCTION . . . . .	3
USABLE ON CODE . . . . .	3
LIST OF ABBREVIATIONS . . . . .	4
ACCESSORY MANUFACTURERS . . . . .	4

### SECTION II

Figure 1 - Studding Assembly . . . . .	5
Figure 2 - Attaching Parts . . . . .	6
Figure 3 - Associated Parts . . . . .	8
Figure 4 - Crankshafts . . . . .	10
Figure 5 - Connecting Rod Assembly . . . . .	11
Figure 6 - Camshafts, Valve Lifters and Pushrods . . . . .	12
Figure 7 - Piston Assembly . . . . .	13
Figure 8 - Cylinder Assembly . . . . .	14
Figure 9 - Accessory Case Group . . . . .	16
Figure 10 - Accessory Case Service Assemblies . . . . .	18
Figure 11 - Drives for Fuel Pump, Scavenge Pump and Hydraulic Pump . . . . .	20
Figure 12 - Oil Pumps . . . . .	21
Figure 13 - Oil Screens, Housing and Check Valve . . . . .	22
Figure 14 - Right Side Accessory Drive . . . . .	23
Figure 15 - Induction System, Carburetors and Fuel Pump . . . . .	24
Figure 16 - Oil Sumps and Drain Tubes . . . . .	26
Figure 17 - Scintilla Ignition System . . . . .	28
Figure 18 - Starter, Generator and Voltage Regulator . . . . .	30

### SECTION III

OVERSIZE AND UNDERSIZE PARTS LIST . . . . .	32
---	----

### SECTION IV

REPAIR PARTS SETS AND MATERIALS . . . . .	33
---	----

### SECTION V

NUMERICAL PARTS LIST . . . . .	34
--------------------------------	----

# INTRODUCTION

1-1. This catalog contains illustrations and descriptive data of currently available parts of all Teledyne Continental "E" Series engines. If accessories or parts attached to any engine installed in an aircraft manufactured under a production model number do not appear in this parts catalog, determine whether the accessories or parts are available from the aircraft manufacturer or from a Teledyne Continental Authorized Distributor before placing an order.

1-2. Section II contains 18 figures, in each of which, one of the major assemblies or groups of the engine is illustrated in "exploded" form. Each figure has its own set of index numbers to indicate the sub-parts. The list of parts in the assembly or group appears on the same page with the illustration or on an adjacent page. The first column of each assembly group list contains the figure number (not repeated on all lines) and, following a dash, the index numbers of the sub-parts in numerical order. CAUTION: Do not order parts by index number. Use the part number, which appears in the Part Number column and the name of the part which appears in the column under the title "DESCRIPTION". To find the correct part number and description of a part, refer to the Table of Contents to ascertain the page number of the figure which illustrates the part required. Turn to the page indicated and find the index number on the illustration. Referring to the same index number on the detailed parts list, locate the line on which a quantity is shown for the engine model required and use the part number and description on that line.

1-3. Do not order any parts listed herein when "NO NUMBER" appears on the same line in the part number column or when "NOT SOLD" herein abbreviated as "NS" appears in the "QUANTITY" column. These parts are not suitable for installation without factory equipment, or they

are major parts of assemblies and are more economically supplied in the assembled condition, or they are assemblies which would have to be disassembled for installation. To replace any detail part "NOT SOLD", order the smallest assembly containing the part (listed above, with name beginning one column to left). To replace any assembly "NOT SOLD", order whatever subassemblies and detail parts (listed below it, with names indented) that are in need of replacement.

1-4. Quantities of parts, as listed in Section II, are for specific application in one assembly. Total quantities of all parts are listed in Section V. Similar assemblies listed in Section II are combined, and quantities of sub-parts are for one assembly.

1-5. Oversize and undersize parts are listed in Section III. These parts must be ordered by the numbers listed herein, with correct descriptions, to avoid errors. Corresponding standard size part numbers in Section II are followed by a symbol (†) to indicate the availability of the non-standard size. (Refer to list of abbreviations and symbols.)

1-6. Section IV contains a list of sets of parts which are usually wanted in such groups for overhaul work. The parts included in various sets are shown in Section II, part number column, by a symbol (&) following the part number. These parts should be ordered by set part numbers only.

1-7. Section V contains a list of part numbers arranged in numerical order in the first column. If the number of any desired part is known the name may be located by referring to the figure and index number in Section II, which is listed opposite the part number in Section V.

## USABLE ON CODE

CODE LETTER	ENGINE MODEL	AIRCRAFT IN WHICH INSTALLED
A	E165-2	Luscombe Silvaire Sedan
B	E185-1	Beech Model 35 "Bonanza"
C	E185-3	Ryan Navion
D	E185-3	North American Navion
E	E185-8	Beech Model 35 "Bonanza"
F	E185-9	Ryan Navion
G	E185-11	Beech Model 35 "Bonanza"
H	E225-4	Ryan Navion
I	E225-8	Beech "Bonanza"

NOTE: When a dash "-" appears between two letters in the Code column, all intervening code letters also apply.

# LIST OF ABBREVIATIONS AND SYMBOLS

SYMBOL	DEFINITION	SYMBOL	DEFINITION
AR	As required (quantity)	PD	Pitch diameter (of thread)
Assy	Assembly	Qt.	Quart
dia.	Diameter	Ref.	Reference
ID	Inside Diameter	S.A.E.	Society of Automotive Engrs.
In.	Inch or Inches	Sq.	Square
NPT	National Pipe Thread	No.	Number
NS	Not Sold	†	Oversize parts available
OD	Outside diameter	‡	Undersize parts available
Opt.	Optional equipment	&	Parts included in a set
Qty.	Quantity	* * * *	End of a group of attaching parts
OS	Oversize		

## ACCESSORY MANUFACTURERS

ACCESSORY	MFG'S NO.	NAME	ADDRESS
Magneto	10-51365-17	Scintilla Model S6LN-21	Scintilla Magneto Division, Bendix Aviation Corporation Sidney, New York
Starter	36E14-1 E80	Eclipse-Pioneer Eclipse-Pioneer	Eclipse-Pioneer Division, Bendix Aviation Corporation Teterboro, New Jersey
Generator	1101887	Delco-Remy	United Motors Service General Motors Bldg., Detroit, Michigan
Voltage Regulator	1118892 1119220	Delco-Remy Delco-Remy	United Motors Service General Motors Service Detroit, Michigan
Carburetor	380223 391318-4 391330-3 391583-1	Stromberg Model PS-5C Stromberg Model PS-5C Stromberg Model PS-5C Stromberg Model PS-5C	Aircraft Technical Service Bendix Products Division, Bendix Aviation Corporation South Bend, Indiana
Carburetor	10-3168	Marvel-Schebler Model MA-4-5	Marvel-Schebler Division, Borg-Warner Corporation Flint, Michigan
Fuel Pumps	RD7750-1	Romec	Romec Pump Company, Division Lear, Inc. Elyria, Ohio
	RD7790	Romec	Romec Pump Company, Division

## SECTION II

### GROUP ASSEMBLY PARTS LIST

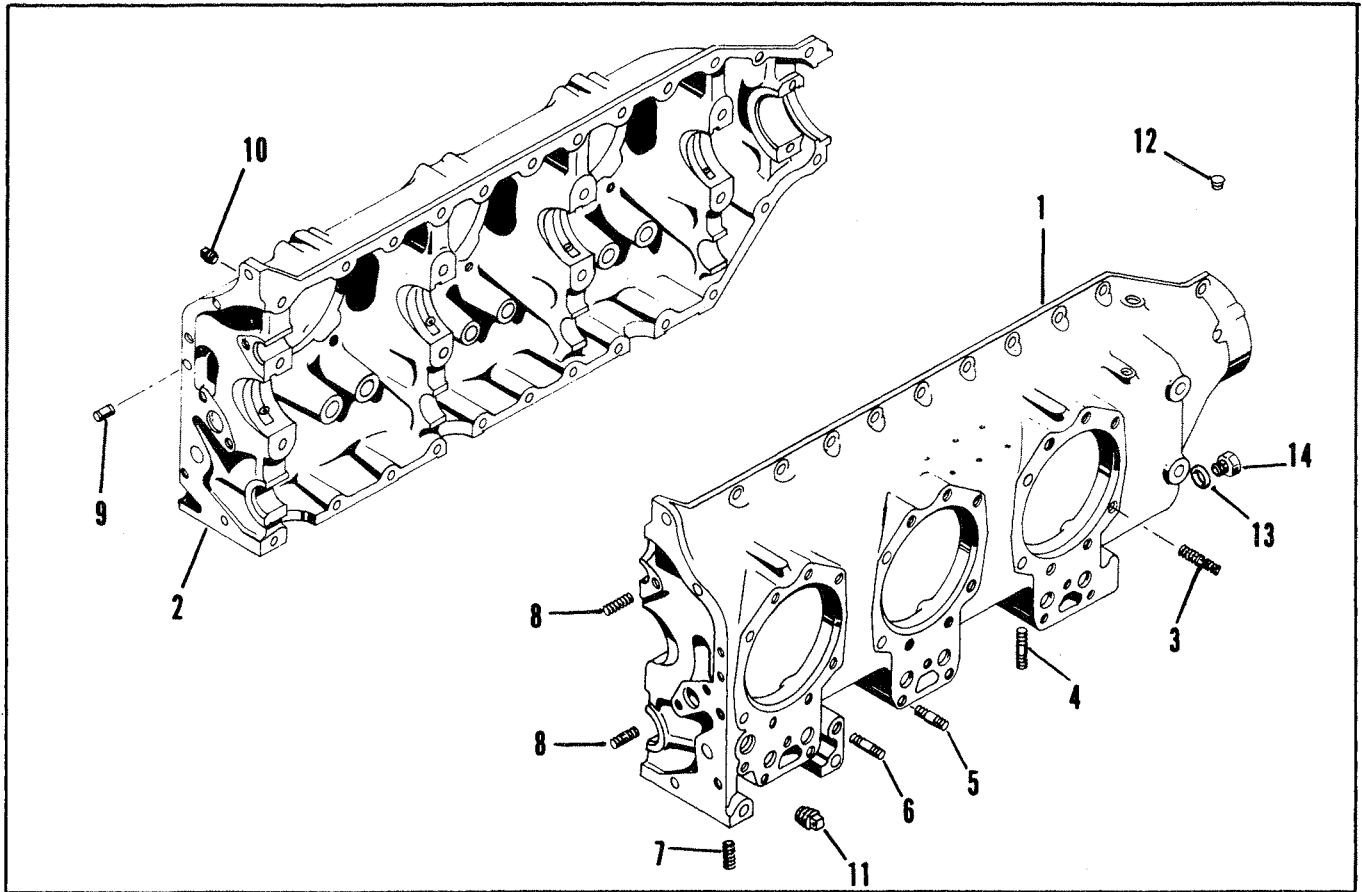


FIGURE 1. STUDDING ASSEMBLY

FIG. & INDEX	PART NUMBER	DESCRIPTION	QTY.	USABLE ON CODE
1-	No Number	Crankcase Assembly, Complete . . . . .	NS	All
	531152	. Studding Assembly, Crankcase . . . . .	1	ACDFH
	531151	. Studding Assembly, Crankcase . . . . .	1	B-I
- 1	No Number	. . Crankcase, 1-3-5 Side . . . . .	NS	All
- 2	No Number	. . Crankcase, 2-4-6 Side . . . . .	NS	All
- 3	531145	† . . Stud, 7/16 X 1-7/8 Inch Long . . . . .	36	All
- 4	20100	† . . Stud, 3/8 X 1-5/8 Inch Long . . . . .	8	All
- 5	22423	† . . Stud, 1/4 X 1-1/16 Inch Long . . . . .	18	All
- 6	22145	† . . Stud, 5/16 X 1-3/8 Inch Long . . . . .	4	All
- 7	25030	† . . Stud, 5/16 Inch Long . . . . .	6	ACDFH
- 8	2390	† . . Stud, 5/16 X 1 Inch Long . . . . .	6	All
- 9	21080	. . Pin, 1/4 Dia. X 7/16 Inch . . . . .	2	All
-10	20882	. . Plug, 1/8 Inch NPT . . . . .	1	All
-11	520124	. . Plug, 1/2 Inch NPT . . . . .	2	All
-12	2024	. . Plug, 1/2 Inch NPT . . . . .	1	All
-13	AN900-10	& . . Gasket, Annular . . . . .	2	All
-14	2265	. . Plug, 5/8 Inch Drilled Hex Head . . . . .	2	All

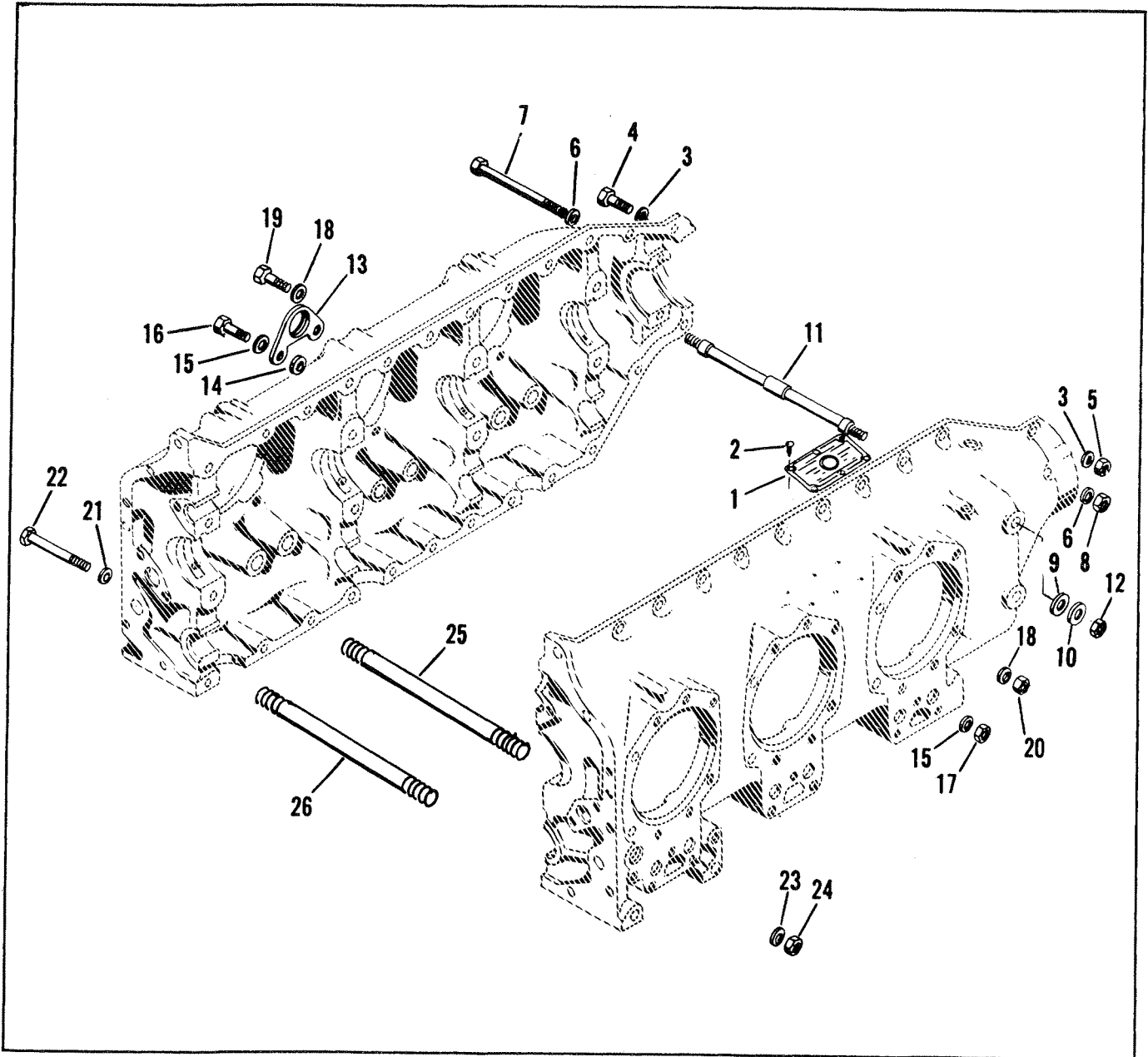


FIGURE 2. ATTACHING PARTS



FIG. & INDEX	PART NUMBER	DESCRIPTION	QTY.	USABLE ON CODE
2- 1	520055	* Plate, Identification . . . . .	1	A
- 1	634888	* Plate, Identification . . . . .	1	B
- 1	634889	* Plate, Identification . . . . .	1	CD
- 1	635726	* Plate, Identification . . . . .	1	E
- 1	635727	* Plate, Identification . . . . .	1	F
- 1	635728	* Plate, Identification . . . . .	1	G
- 1	634891	* Plate, Identification . . . . .	1	H
- 1	634892	* Plate, Identification . . . . .	1	I
ATTACHING PARTS				
- 2	24764	Screw, 1/8 Inch Round . . . . . * * * *	6	All
- 3	20522	Washer, Plain . . . . .	24	All
- 4	AN4-11A	Screw, Hex Head . . . . .	12	All
- 5	2437	Nut, Plain . . . . .	12	All
- 6	24239	Washer, Plain . . . . .	4	All
- 7	AN6-47A	Bolt, Hex, 3/8 X 4-15/16 Inch Long . . . . .	2	All
- 8	2441	Nut, Plain . . . . .	2	All
- 9	25171	Spacer . . . . .	4	All
-10	20202	Washer, Plain . . . . .	16	All
-11	531205	Bolt, 7/16 X 10-3/4 Inch Long . . . . .	8	All
-12	531001	Nut, Flanged Hex . . . . .	16	All
-13	530470	Eye, Engine Lifting . . . . .	1	All
ATTACHING PARTS				
-14	25164	Washer, Plain . . . . .	2	All
-15	20522	Washer, Plain . . . . .	4	All
-16	AN4-13A	Bolt, Hex Head . . . . .	2	All
-17	2437	Nut, Plain . . . . . * * * *	2	All
-18	2473	Washer, Plain . . . . .	14	All
-19	AN5-14A	Bolt, Hex, 5/16 X 1-19/32 Inch Long . . . . .	7	All
-20	2439	Nut, Plain, Hex . . . . .	7	All
-21	2473	Washer, Plain . . . . .	2	All
-22	AN5-32A	Bolt, Hex Head, 5/16 X 3-3/4 Inch Long . . . . .	1	All
-23	2473	Washer, Plain . . . . .	2	All
-24	2439	Nut, Plain, Hex . . . . .	1	All
-25	36007	Bolt, 5/16 X 10-9/16 Inch Long . . . . .	2	B
-25	539738-11.06	Bolt, 5/16 X 11-1/16 Inch Long . . . . .	1	CDEI
-26	536524	Bolt, 3/8 X 10-5/8 Inch Long . . . . .	1	EGI
-26	538931-11.00	Bolt, 5/16 X 11 Inch Long . . . . .	2	BCDEI

\* Return original plate with order. If not legible, also supply Model and Serial Number.

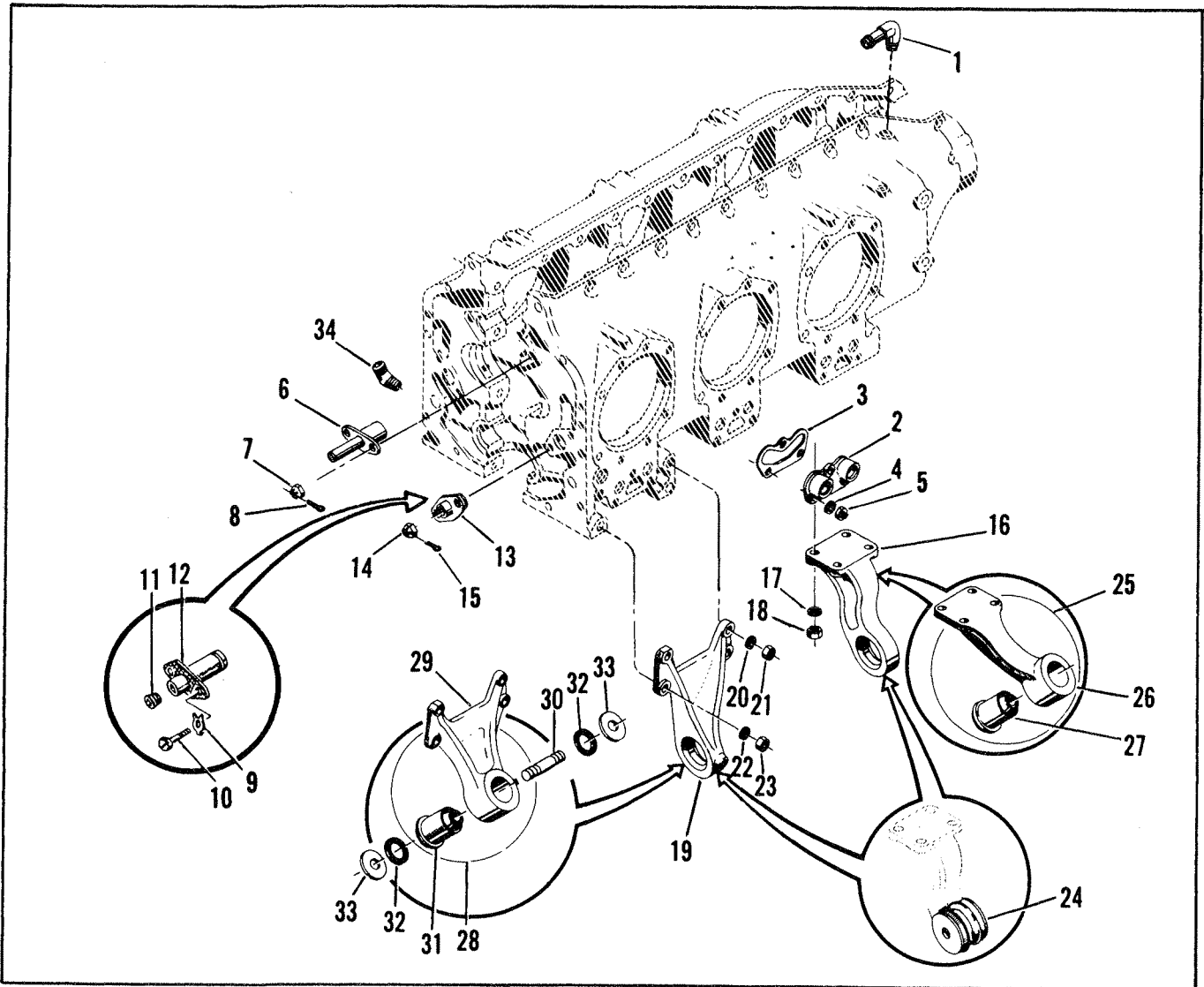


FIGURE 3. ASSOCIATED PARTS

FIG. & INDEX	PART NUMBER	DESCRIPTION	QTY.	USABLE ON CODE
3- 1	AN842-10	Elbow . . . . .	1	All
- 2	531186	Flange, Pushrod Housing . . . . .	6	All
ATTACHING PARTS				
- 3	352058	& Gasket . . . . .	6	All
- 4	20522	Washer, Plain . . . . .	18	All
- 5	2437	Nut, Plain . . . . .	18	All
* * * *				
- 6	35976	† Pivot, Starter Pinion . . . . .	1	ABCD
ATTACHING PARTS				
- 7	2457	Nut, Castle . . . . .	2	ABCD
- 8	2501	Pin, Cotter . . . . .	2	ABCD
* * * *				
	530949	Pivot, Starter Assembly . . . . .	1	E-I
ATTACHING PARTS				
- 9	501868	Washer, Tab . . . . .	2	E-I
- 10	530346	Screw, Hex . . . . .	2	E-I
* * * *				

FIG. & INDEX	PART NUMBER	DESCRIPTION	QTY.	USABLE ON CODE
3-11	2025	. Plug . . . . .	1	E-I
-12	530948	† . Pivot, Starter Pinion . . . . .	1	E-I
-13	352035	Support, Magneto Gear . . . . .	1	All
ATTACHING PARTS				
-14	2457	Nut, Castle . . . . .	4	All
-15	2501	Pin, Cotter . . . . .	4	All
* * * *				
-16	40759	Bracket, Right Front Engine Mount . . . . .	1	ABCDE
-16	40760	Bracket, Left Front Engine Mount . . . . .	1	ABCDE
-16	531242	Bracket, Right Front Engine Mount . . . . .	1	GI
-16	531241	Bracket, Left Front Engine Mount . . . . .	1	GI
ATTACHING PARTS				
-17	2274	Washer, Plain . . . . .	8	All
-18	2441	Nut, Plain . . . . .	8	All
* * * *				
-19	50444	Bracket, Right Rear Engine Mount . . . . .	1	B
-19	50445	Bracket, Left Rear Engine Mount . . . . .	1	B
-19	531248	Bracket, Right Rear Engine Mount . . . . .	1	GI
-19	531249	Bracket, Left Rear Engine Mount . . . . .	1	GI
-19	536709	Bracket, Right Rear Engine Mount . . . . .	1	BEFHI
-19	536710	Bracket, Left Rear Engine Mount . . . . .	1	BEFHI
-19	536701	Bracket, Right Rear Engine Mount . . . . .	1	G
-19	536699	Bracket, Left Rear Engine Mount . . . . .	1	G
ATTACHING PARTS				
-20	2274	Washer, Plain . . . . .	8	All
-21	2439	Nut, Plain, Hex . . . . .	6	B
-21	2439	Nut, Plain, Hex . . . . .	5	CDEI
-22	2474	Washer, Plain . . . . .	2	EI
-23	2441	Nut, Plain . . . . .	2	EGI
* * * *				
-24	352043	Mount Assembly, Engine . . . . .	4	BE
-25	530824	Bracket & Mount Assembly, Right Front Engine Mount . . . . .	1	ACD
-25	530823	Bracket & Mount Assembly, Left Front Engine Mount . . . . .	1	ACD
-26	40638	. Bracket, Right Front Engine Mount . . . . .	1	ACDFH
-26	40639	. Bracket, Left Front Engine Mount . . . . .	1	ACDFH
-27	25025	. Mounting, Lord 1-1/2 Inch O.D. Tube Form . . . . .	1	ACDFH
-28	536792	Bracket & Mount Assembly, Right Rear Engine Mount . . . . .	1	ACDFH
-28	536791	Bracket & Mount Assembly, Left Rear Engine Mount . . . . .	1	ACDFH
-28	530818	Bracket & Mount Assembly, Right Rear Engine Mount . . . . .	1	ACD
-28	530817	Bracket & Mount Assembly, Left Rear Engine Mount . . . . .	1	ACD
-29	A40747	. Bracket Studding Assembly, Right Rear Engine Mount . . . . .	1	ACD
-29	A40748	. Bracket Studding Assembly, Left Rear Engine Mount . . . . .	1	ACD
-29	536790	. Bracket Studding Assembly, Right Rear Engine Mount . . . . .	1	ACDFH
-29	536914	. Bracket Studding Assembly, Right Rear Engine Mount . . . . .	1	ACDFH
-29	536786	. Bracket Studding Assembly, Left Rear Engine Mount . . . . .	1	ACDFH
-29	536913	. Bracket Studding Assembly, Left Rear Engine Mount . . . . .	1	ACDFH
-30	20092	. . Stud, 5/16 X 2 Inches Long . . . . .	1	ACD
-31	25025	. Mounting, Lord, 1-1/2 Inch O.D. Tube Form . . . . .	1	ACD
-32	25026	Washer, Rubber Snubbing . . . . .	8	ACDFH
-33	25024	Washer . . . . .	8	ACDFH
-34	635161	Elbow, 45° Oil Inlet . . . . .	1	F

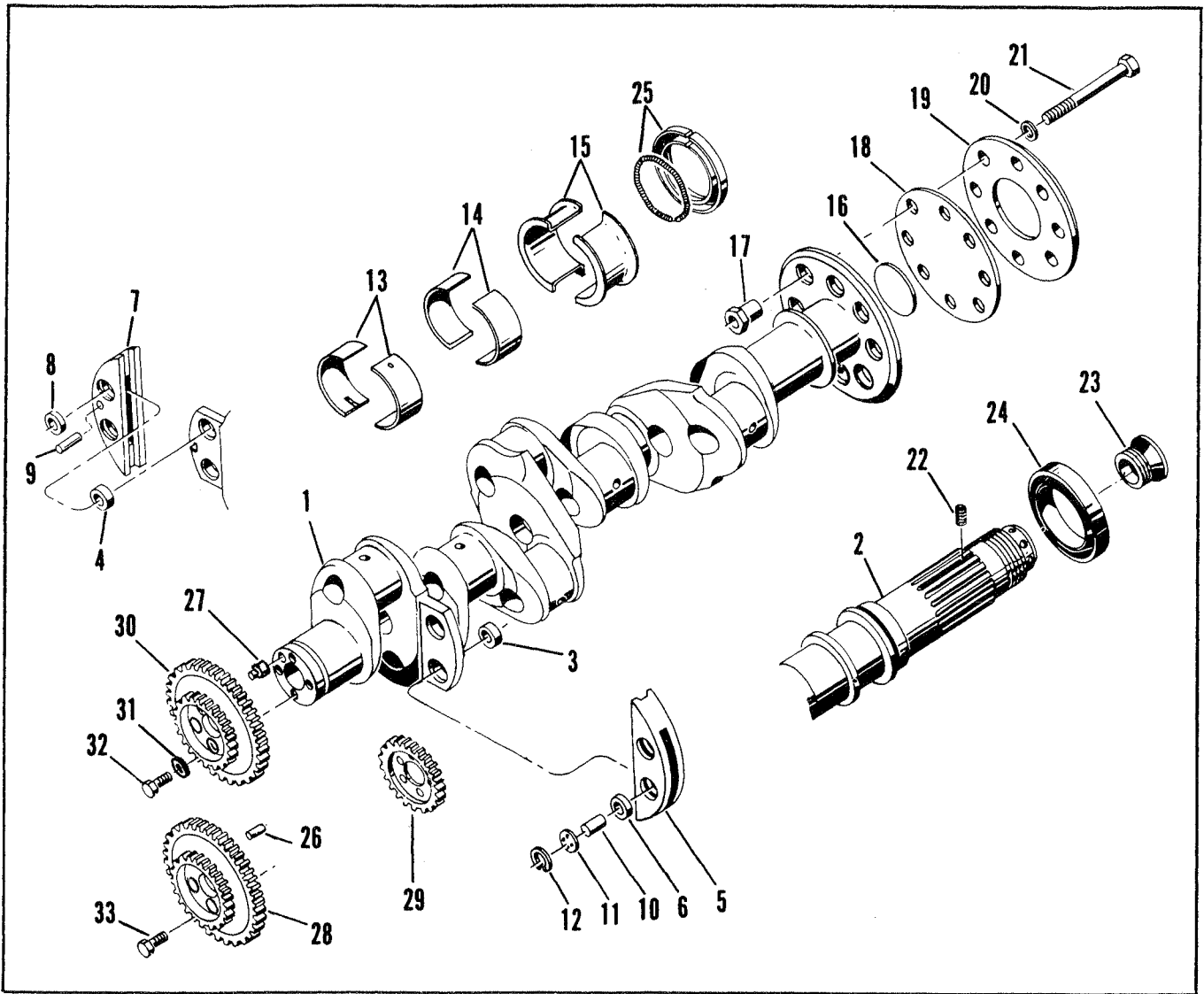


FIGURE 4. CRANKSHAFTS

FIG. & INDEX	PART NUMBER	DESCRIPTION	QTY.	USABLE ON CODE
4-	352174A2	Crankshaft and Damper Assembly, Service . . . . .	1	A
	537561A2	Crankshaft and Damper Assembly, Service . . . . .	1	B-I
- 1	No Number	. Crankshaft Assembly. . . . .	NS	A
- 2	No Number	. Crankshaft Assembly. . . . .	NS	B-I
- 3	350998	† . Bushing, 6th Order Crankshaft Damper. . . . .	2	All
- 4	537044	† . Bushing, 5th Order Crankshaft Damper. . . . .	2	B-I
	352117	. Counterweight Assembly, 6th Order. . . . .	1	All
- 5	No Number	. . Counterweight . . . . .	NS	All
- 6	350997	† . . Bushing, Counterweight . . . . .	4	All
	537049	. Counterweight Assembly, 5th Order. . . . .	1	B-I
- 7	No Number	. . Counterweight . . . . .	NS	All
- 8	537044	† . . Bushing, Counterweight . . . . .	4	B-I
- 9	X1794B	. Pin, Crankshaft Damper Counterweight. . . . .	1	B-I
-10	630261-4	. Pin, Damper . . . . .	4	All
		ATTACHING PARTS		
-11	635623	. Plate, Pin Retaining . . . . .	8	All
-12	629104	. Ring, Retaining . . . . .	8	All
		* * * *		

FIG. & INDEX	PART NUMBER	DESCRIPTION	QTY.	USABLE ON CODE
4-13	530383	† . Bearing, Connecting Rod . . . . .	2	All
-14	530386	† . Bearing, Intermediate & Rear Main . . . . .	8	All
-15	40644	† . Bearing, Front Main, Thrust . . . . .	2	All
-16	24770	. Plug, Hubbard . . . . .	1	A
-17	24978	. Bushing, Propeller Bolt . . . . .	1	A
-18	36048	. Plate, Moisture Impervious . . . . .	1	A
-19	36047	. Flange, Propeller Hub . . . . .	1	A
-20	24984	. Washer, Plain . . . . .	8	A
-21	24982	. Bolt, 7/16 X 5-13/16 Inch Long . . . . .	8	A
-22	22366	Screw, Slotted . . . . .	1	B-I
-23	520013	Plug, Special Slotted Head . . . . .	1	B-I
-24	530859	Seal, Crankshaft Front Oil . . . . .	1	B-I
-25	532491	Seal Assembly . . . . .	1	A
-26	536563	† Dowel . . . . .	1	All
-27	630651	*† Dowel . . . . .	1	*
-28	536374	Gear, Accessory Drive . . . . .	1	ACD
-29	536360	Gear, Accessory Drive . . . . .	1	E-I
-29	530342	* Gear, Accessory Drive . . . . .	1	E-I
-30	531435	* Gear, Accessory Drive . . . . .	1	A-D
ATTACHING PARTS				
-31	X1454	Washer, Plain . . . . .	1	All
-32	536379	Screw, 5/16 X 15/16 Inch Long . . . . .	6	All
-33	534904	* Screw, 1/4 X 13/16 Inch Long . . . . .	6	*

\* These parts to be used with crankshafts which have 1/4-28 NF accessory drive gear screw holes.

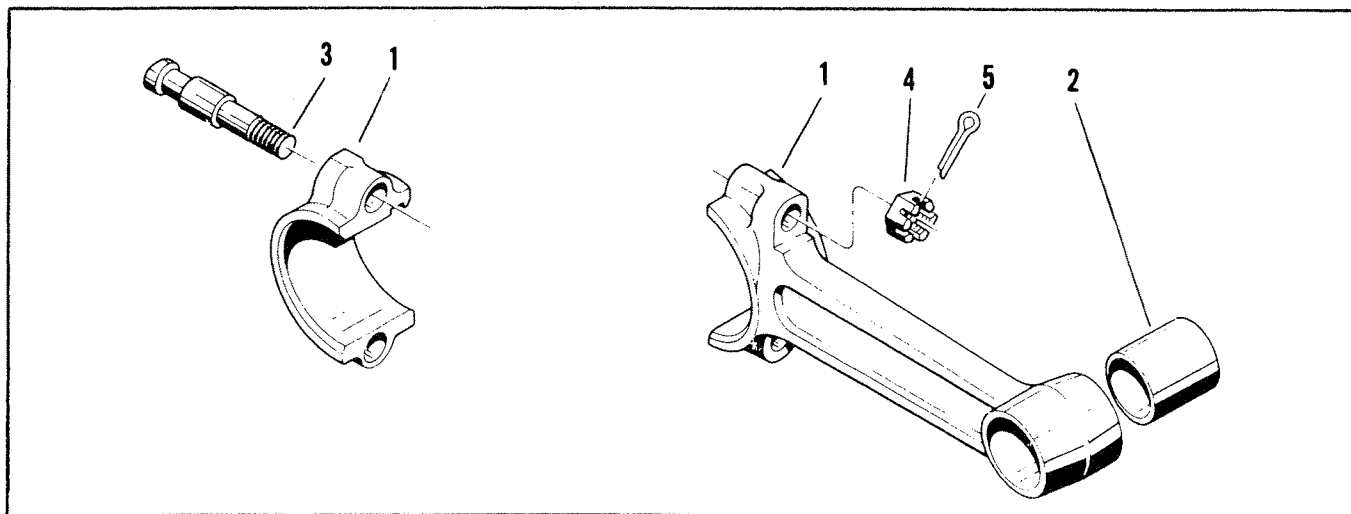


FIGURE 5. CONNECTING ROD ASSEMBLY

FIG. & INDEX	PART NUMBER	DESCRIPTION	QTY.	USABLE ON CODE
5-	A36121	Rod Assembly, Connecting . . . . .	6	All
- 1	No Number	. Rod & Cap, Connecting . . . . .	6	All
- 2	530658	. Bushing, Piston Pin . . . . .	1	All
- 3	35972	. Bolt, Connecting Rod . . . . .	2	All
- 4	626140	. Nut . . . . .	2	All
- 5	AN381-25-8	. Pin, Cotter . . . . .	2	All

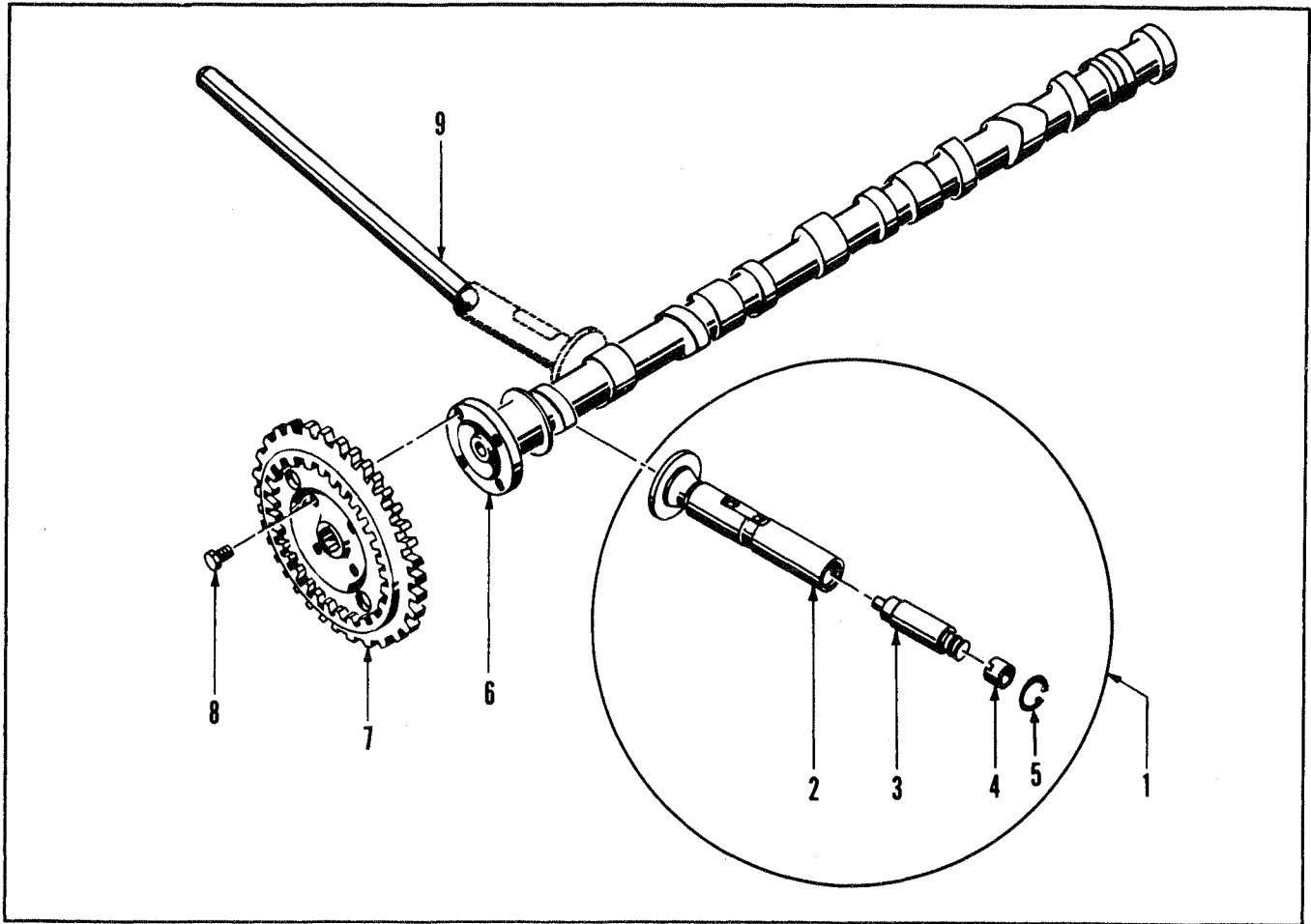


FIGURE 6. CAMSHAFTS, VALVE LIFTERS AND PUSHRODS

FIG. & INDEX	PART NUMBER	DESCRIPTION	QTY.	USABLE ON CODE
6- 1	533400	Lifter Assembly, Hydraulic Valve (Optional) . . . . .	12	All
- 2	531128	. Body, Hydraulic Valve Lifter (Part of 533400) . . . . .	1	All
- 3	533399	. Hydraulic Unit, Valve Lifter (Part of 533400) . . . . .	1	All
- 4	25042	. Socket, Pushrod . . . . .	1	All
- 5	530940	. Ring, Snap . . . . .	1	All
- 6	531201	† Camshaft, With 1/4 Inch Screw Holes . . . . .	1	HI
- 6	536877	† Camshaft, With 5/16 Inch Screw Holes . . . . .	1	A-G
- 6	536878	† Camshaft, With 5/16 Inch Screw Holes . . . . .	1	HI
- 6	530808	† Camshaft, With 1/4 Inch Screw Holes . . . . .	1	A-G
- 7	536888	Gear, Camshaft (for use with No. 536877 & 536878 camshafts) . .	1	All
- 7	352012	Gear, Camshaft (for use with No. 530808 & 531201 camshafts) . .	1	All
ATTACHING PARTS				
- 8	537019	Screw, 5/16 X 17/32 Inch . . . . .	4	All
- 8	22534	Screw, 1/4 X 3/8 Inch . . . . .	4	All
- 9	537490	Rod Assembly, Push . . . . .	12	All
- 9	520047	Rod Assembly, Push (Optional) . . . . .	12	All

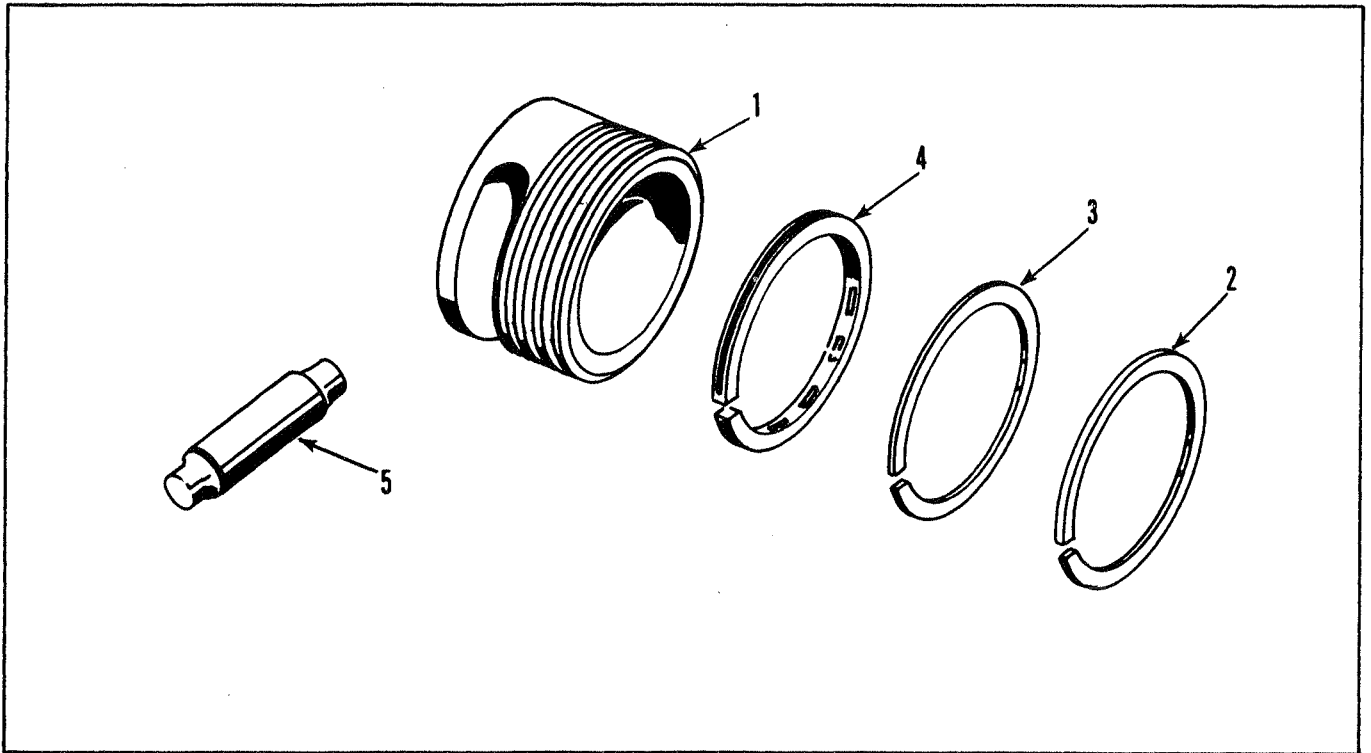


FIGURE 7. PISTON ASSEMBLY

FIG. & INDEX	PART NUMBER	DESCRIPTION	QTY.	USABLE ON CODE
7-	50399A1	* Piston Assembly, Complete . . . . .	6	A-G
	No Number	* . Piston & Ring Assembly . . . . .	NS	A-G
- 1	50399	*† . . Piston . . . . .	1	A-G
- 2	40668	& *† . . Ring, Top Groove . . . . .	1	A-G
- 3	40669	& *† . . Ring, Second Groove . . . . .	1	A-G
- 4	40670	& *† . . Ring, Third Groove . . . . .	1	A-G
- 5	539467	† . Pin & Plug Assembly, Piston . . . . .	1	All
	534895A1	** Piston Assembly, Complete (Optional) . . . . .	6	All
	No Number	** . Piston & Ring Assembly . . . . .	NS	All
- 1	534895	† . . Piston . . . . .	1	All
- 2	536938	& **† . . Ring, Top Groove . . . . .	1	All
- 3	536938	& † . . Ring, Second Groove . . . . .	1	All
- 4	536939	& † . . Ring, Third Groove . . . . .	1	All
- 5	539467	† . Pin & Plug Assembly, Piston . . . . .	1	All

\* These pistons and rings to be used only with cylinder assembly numbers 520113, 532453 and 533096.

\*\* These pistons and rings may be used only with cylinder assembly numbers 535291, 538348, 538610 and 539344.

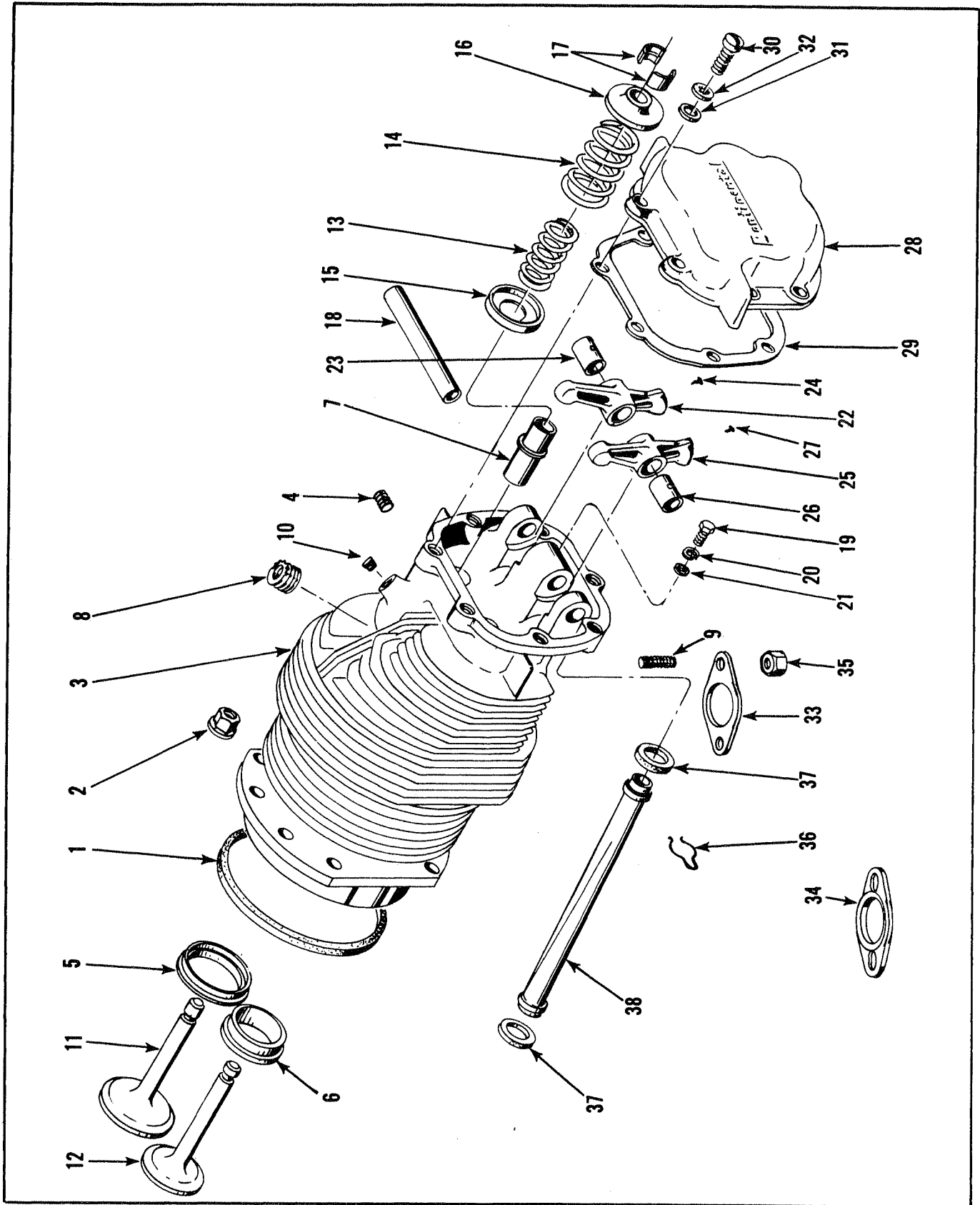


FIGURE 8. CYLINDER ASSEMBLY



FIG. & INDEX	PART NUMBER	DESCRIPTION	QTY.	USABLE ON CODE
8- 1	532200	& O-Ring . . . . .	6	All
	No Number	Cylinder Assembly, Complete. . . . .	NS	All
		ATTACHING PARTS		
- 2	531001	Nut . . . . .	36	All
		* * * *		
	628051A1	. Cylinder and Valve Assembly . . . . .	6	All
	628051	. . Cylinder Assembly . . . . .	1	All
- 3	No Number	. . . Head and Barrel Assembly . . . . .	NS	All
- 4	MS122121	. . . Insert . . . . .	2	All
- 5	35966	† . . . Insert, Intake Valve Seat . . . . .	1	All
- 6	35967	† . . . Insert, Exhaust Valve Seat . . . . .	1	All
- 7	515152	† . . . Guide, Valve . . . . .	2	All
- 8	520112	. . . Insert, Spark Plugs . . . . .	2	All
- 9	401855	† . . . Stud, 5/16 X 1-9/32 Inch Long . . . . .	2	All
-10	629518-1	. . . Plug, Pipe . . . . .	1	All
-11	40652	. . Valve, Intake . . . . .	1	All
-12	626540	. . Valve, Exhaust . . . . .	1	All
-13	520106	. . Spring, Valve Inner . . . . .	2	All
-14	520105	. . Spring, Valve Outer . . . . .	2	All
-15	625393	. . Retainer, Valve Spring Inner . . . . .	2	All
-16	35971	. . Retainer, Valve Spring Outer . . . . .	2	All
-17	24802	. . Key, Valve Spring Outer Retainer . . . . .	4	All
-18	625142	. . Shaft, Valve Rocker . . . . .	4	All
-19	535666	. . Screw . . . . .	1	All
-20	AN936A516	. . Washer, Lock . . . . .	1	All
-21	2473	. . Washer, Plain . . . . .	1	All
	A24814	. Rocker Assembly, Intake Valve . . . . .	1	All
-22	No Number	. . Rocker, Intake Valve . . . . .	NS	All
-23	530367	. . Bearing, Valve Rocker . . . . .	1	All
-24	21007	. . Screw, Drive . . . . .	2	All
	A24815	. Rocker Assembly, Exhaust Valve . . . . .	1	All
-25	No Number	. . Rocker, Exhaust Valve . . . . .	NS	All
-26	530367	. . Bearing, Valve Rocker . . . . .	1	All
-27	21007	. . Screw, Drive . . . . .	1	All
-28	532450	. Cover, Valve Rocker . . . . .	1	All
-29	532451	& . Gasket, Valve Rocker Cover . . . . .	1	All
-30	535118	. Screw . . . . .	7	All
-31	20522	. Washer, Plain . . . . .	7	All
-32	AN936A416	. Washer, Lock . . . . .	7	All
-33	21493	& Gasket, Exhaust Flange . . . . .	6	All
-34	627429	& Gasket, Exhaust Flange . . . . .	6	All
-35	22022	Nut, Plain Hex . . . . .	12	All
-36	530635	Retainer, Pushrod Housing . . . . .	12	All
-37	535057	& Packing . . . . .	24	All
-38	531183	Housing, Pushrod . . . . .	12	All

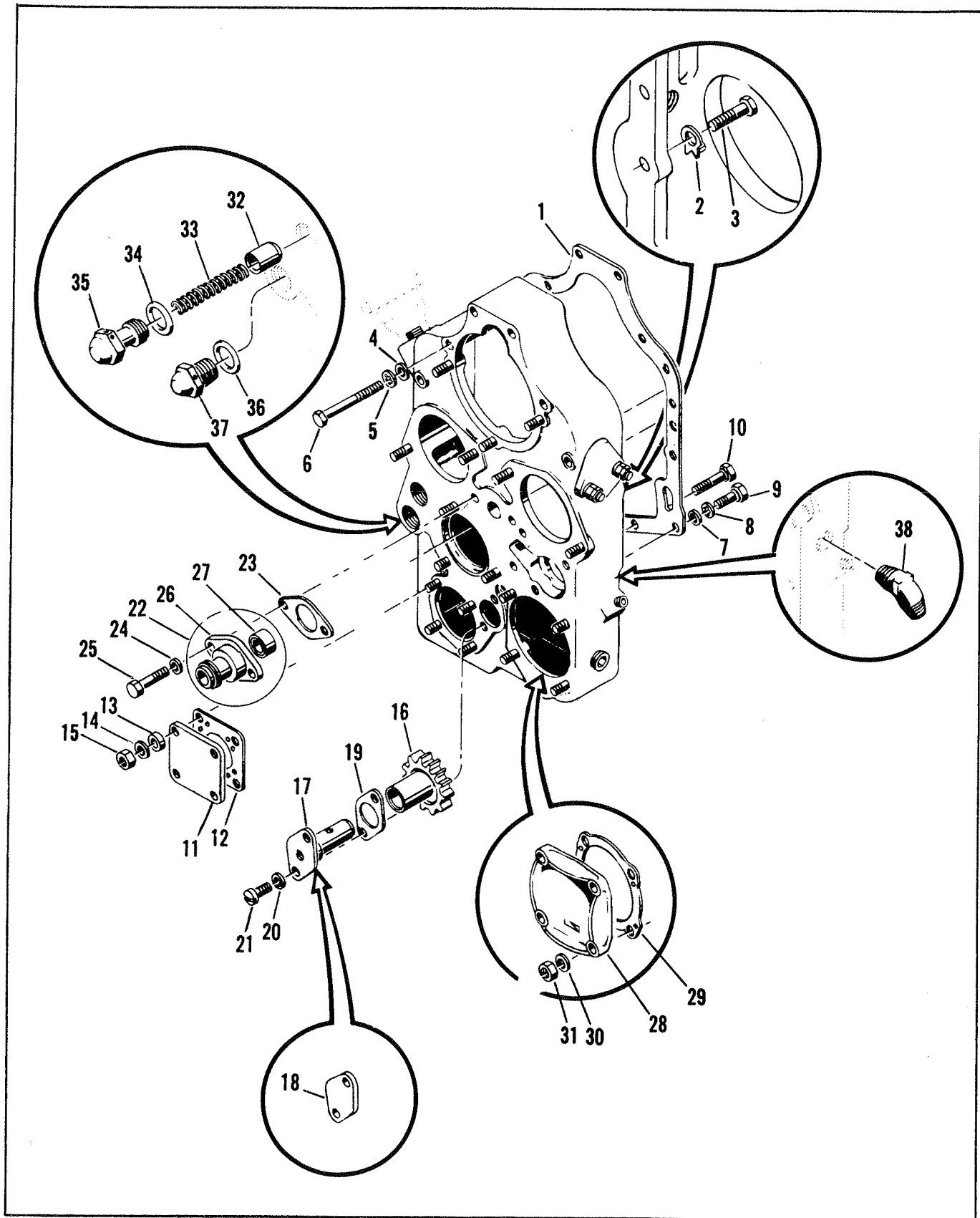


FIGURE 9. ACCESSORY CASE GROUP

FIG. & INDEX	PART NUMBER	DESCRIPTION	QTY.	USABLE ON CODE
9- 1	352069	& Gasket, Accessory Case . . . . .	1	All
- 2	36025	Washer . . . . .	2	All
- 3	24835	Screw, 1/4-20 X 15/16 Inch Long . . . . .	2	All
- 4	20522	Washer, Plain . . . . .	4	All
- 5	AN936A416	Washer . . . . .	4	All
- 6	24829	Screw, 1/4-20 X 3-1/4 Inch Long . . . . .	4	All
- 7	20522	Washer, Plain . . . . .	4	All
- 8	AN936A416	Washer . . . . .	4	All
- 9	352106	Screw, Special . . . . .	1	All
-10	352107	Screw, Special . . . . .	3	All
-11	25005	Cover, Left Side Accessory Drive Pad . . . . .	1	AD
-12	AN4045-1	& Gasket . . . . .	1	All
ATTACHING PARTS				
-13	203382	Spacer . . . . .	4	AD
-14	20522	Washer . . . . .	4	ACDFH
-14	2472	Washer . . . . .	4	BEGI
-15	2437	Nut, 1/4-28 Plain . . . . .	4	All
* * * *				
-16	352014	Gear, Accessory Drive Idler . . . . .	1	BCDE-I
-17	35999	Shaft, Accessory Drive Idler Gear . . . . .	1	BCDE-I
-18	25007	Cover, Idler Shaft Hole . . . . .	1	ACD
ATTACHING PARTS				
-19	520004	& Gasket, Idler Gear Shaft or Cover . . . . .	1	All
-20	530671	Washer, Copper 1/4 . . . . .	2	All
-21	AN74A5	Screw . . . . .	2	All
* * * *				
-22	35978A1	Housing Assembly, Tachometer Drive . . . . .	1	All
ATTACHING PARTS				
-23	352062	& Gasket, Tachometer Drive Housing . . . . .	1	All
-24	20522	Washer, Plain . . . . .	2	All
-25	24834	Bolt, 1/4-20 X 5/8 Inch Long . . . . .	2	All
* * * *				
-26	No Number	. Housing, Tachometer Drive . . . . .	NS	All
-27	21163	& . Oil Seal, Tachometer Drive . . . . .	1	All
-28	40725	Cover, Right Side Accessory Drive Pad . . . . .	1	A
ATTACHING PARTS				
-29	36027	& Gasket, Right Side Accessory Drive or Cover . . . . .	1	All
-30	2473	Washer . . . . .	4	All
-31	2439	Nut, 5/16-24 Plain . . . . .	4	All
* * * *				
-32	21114	Plunger, Oil Pressure Relief Valve . . . . .	1	All
-33	530838	Spring, Oil Pressure Relief Valve . . . . .	1	All
-34	AN900-14	& Gasket, . . . . .	1	All
-35	24823	Cap, Oil Pressure Relief Valve . . . . .	1	All
-36	AN900-14	& Gasket . . . . .	1	All
-37	21113	Cap, Oil Cooler By-Pass Valve . . . . .	1	All
-38	AN822-10D	Elbow, Oil Outlet, 5/8 Flare Tube X 1/2 NPT X 90° . . . . .	1	CD

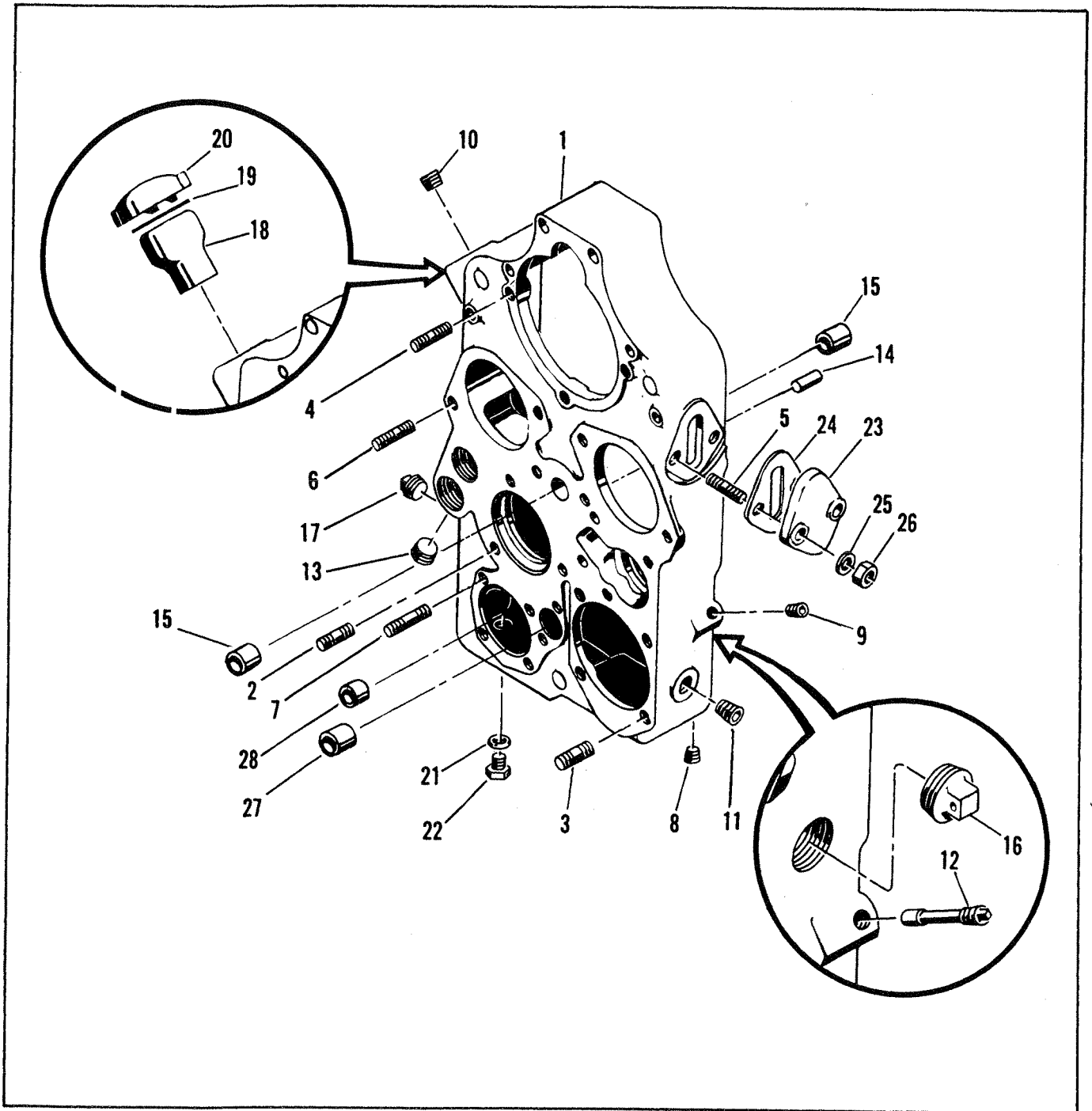


FIGURE 10. ACCESSORY CASE SERVICE ASSEMBLIES

FIG. & INDEX	PART NUMBER	DESCRIPTION	QTY.	USABLE ON CODE
10-	530377	Studding Assembly, Accessory Case . . . . .	1	B
	352178	Studding Assembly, Accessory Case . . . . .	1	ACDFH
	531109	Studding Assembly, Accessory Case . . . . .	1	EGI
- 1	No Number	. Case, Dry Sump Accessory . . . . .	NS	EGI
- 2	2465	† . Stud, 5/16 X 1-3/8 Inch . . . . .	3	All
- 3	2389	† . Stud, 5/16 X 1-1/4 Inch . . . . .	4	All
- 4	2465	† . Stud, 5/16 X 1-3/8 Inch . . . . .	3	A-D
- 4	531005	† . Stud, Shouldered, 5/16 X 1-11/16 Inch . . . . .	5	E-I
- 5	2465	† . Stud, 5/16 X 1-3/8 Inch . . . . .	3	A
- 5	2465	† . Stud, 5/16 X 1-3/8 Inch . . . . .	4	CDGH
- 5	401813	† . Stud, 5/16 X 1-11/16 Inch . . . . .	4	BEI
- 6	22195	† . Stud, 5/16 X 1-1/2 Inch . . . . .	4	All
- 7	530479	† . Stud, 1/4 X 1-9/16 Inch . . . . .	4	All
- 8	2024	. Plug, Oil Passage, 1/8 Inch NPT . . . . .	1	A-DF
- 9	2024	. Plug, Oil Passage, 1/8 Inch NPT . . . . .	1	All
-10	2025	. Plug, Vent Connection, 3/8 Inch NPT . . . . .	1	BEG-I
-11	2025	. Plug, Vacuum Pump, 3/8 Inch NPT . . . . .	1	A-GI
-12	25055	* . Plug, 1/8 Inch NPT . . . . .	1	H
-13	23406	. Plug, . . . . .	1	CDFH
-13	530028	. Plug . . . . .	1	ABEGI
-14	24846	. Pin, Dowel . . . . .	2	All
-15	530551	. Bushing . . . . .	2	All
-16	520124	Plug, Pressure Oil Outlet, 1/2 Inch NPT . . . . .	1	ACDFH
-17	520124	Plug, Oil Drain Connection, 1/2 Inch NPT . . . . .	1	ACDFH
-18	535063	Neck, Oil Filler . . . . .	1	ACDFH
-19	533355	& Gasket, Oil Filler Cap . . . . .	1	ACDFH
-20	352111	Cap Assembly, Oil Filler . . . . .	1	ACDFH
-21	AN900-10	& Gasket, Copper-Asbestos Annular . . . . .	1	BEGI
-22	2265	Plug, 5/8 . . . . .	1	BEGI
-23	35979	Cover, Fuel Pump Pad . . . . .	2	A-D
ATTACHING PARTS				
-24	352065	& Gasket, Fuel Pump . . . . .	2	A-D
-25	2473	Washer, Plain . . . . .	4	A-D
-25	537542	Spacer . . . . .	4	BEGI
-26	2439	Nut, Plain Hex . . . . .	4	All
		* * * *		
-27	534440	Bushing, Boss Repair . . . . .	AR	All
-28	534439	Bushing, Boss Repair . . . . .	AR	ACD
-28	534438	Bushing, Boss Repair . . . . .	AR	B

\* This part must not be used if a fuel pump drive is installed on the lower left hand pad.

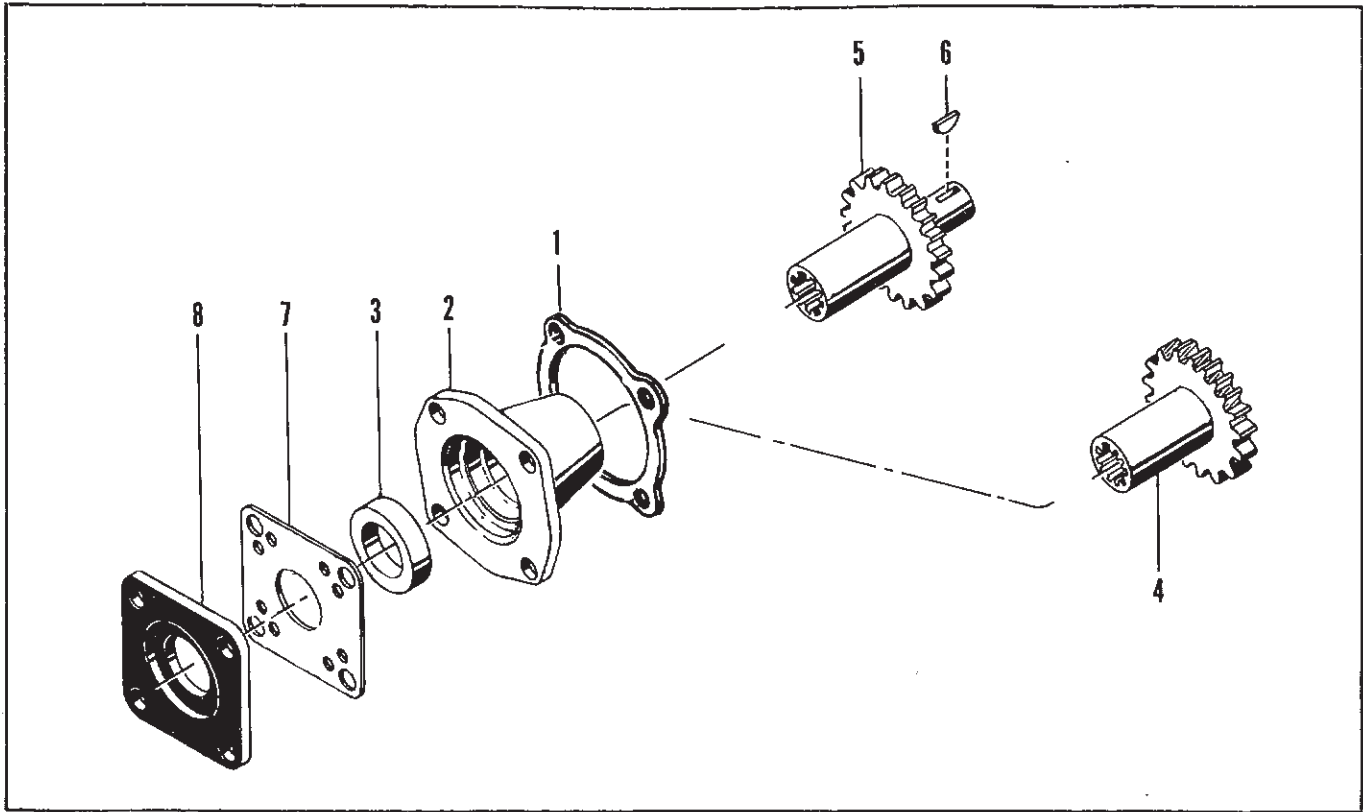


FIGURE 11. DRIVES FOR FUEL PUMPS, SCAVENGE PUMP AND HYDRAULIC PUMP

FIG. & INDEX	PART NUMBER	DESCRIPTION	QTY.	USABLE ON CODE
11- 1	352061	& Gasket . . . . .	1	All
- 2	530443	Adapter, Fuel Pump Drive Shaftgear . . . . .	1	All
- 3	25102	& Oil Seal . . . . .	1	All
- 4	352018	Shaftgear, Hydraulic Pump Drive (Optional) . . . . .	1	ACDFH
- 5	531240	Shaftgear, Hydraulic and Scavenge Pump Drive . . . . .	1	BEGI
- 5	352017	* Shaftgear, Hydraulic and Scavenge Pump Drive . . . . .	1	BEGI
- 6	AN280H304	Key, Woodruff . . . . .	1	BEGI
- 7	AN4045-1	& Gasket . . . . .	2	All
- 8	530371	Spacer . . . . .	1	EGI

\* Use this Shaftgear only with standard capacity oil pump and scavenge pump assemblies.

FIG. & INDEX	PART NUMBER	DESCRIPTION	QTY.	USABLE ON CODE
12-	531569	Housing Assembly . . . . .	1	All
ATTACHING PARTS				
- 1	20522	Washer, Plain . . . . .	1	All
- 2	AN936A416	Washer . . . . .	1	All
- 3	24832	Bolt, 1/4-20 X 5/8 Inch Long . . . . .	1	All
		* * * *		
- 4	No Number	. Housing . . . . .	NS	All
- 5	530551	. Bushing . . . . .	2	All
- 6	530695	Impeller, Oil Pressure Pump Driving . . . . .	1	All
- 6	530693	* Impeller, Oil Pressure Pump Driving . . . . .	1	All

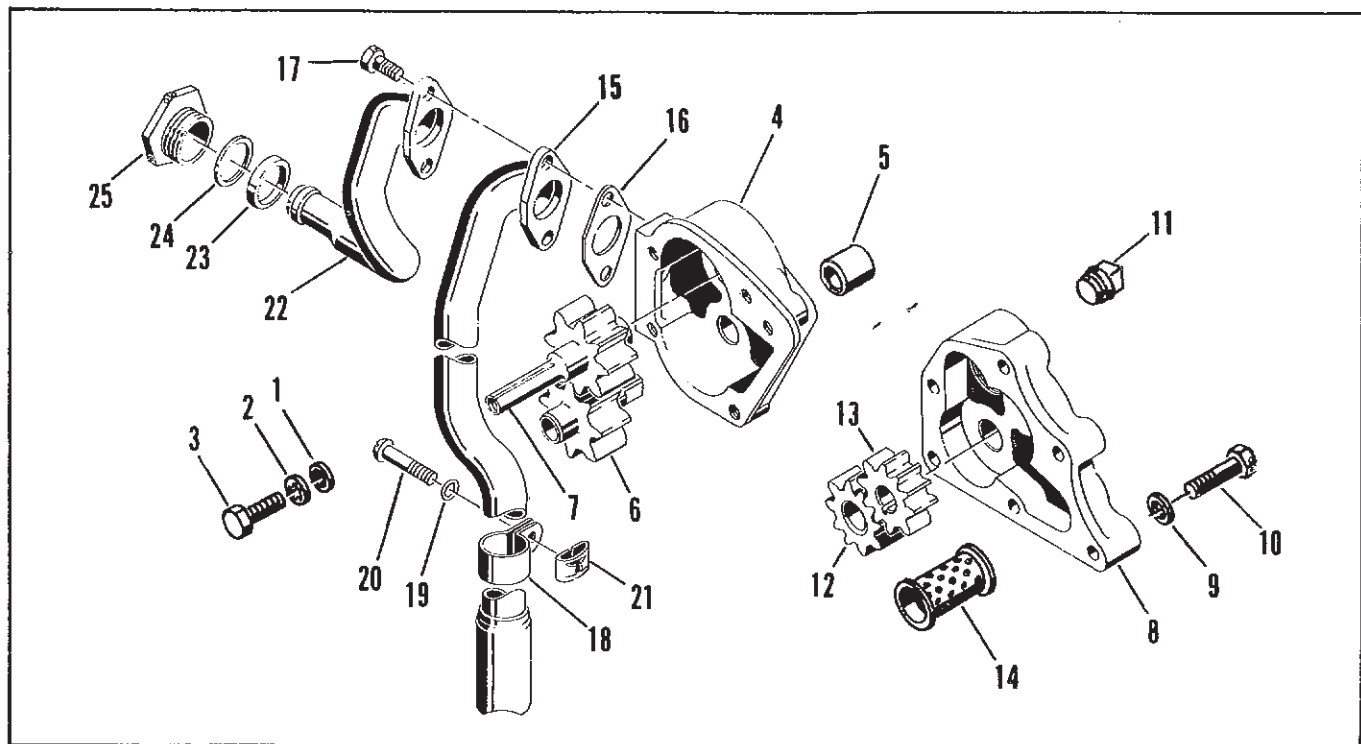


FIGURE 12. OIL PUMPS

FIG. & INDEX	PART NUMBER	DESCRIPTION	QTY.	USABLE ON CODE
- 7	530694	Impeller, Oil Pressure Pump Driven . . . . .	1	All
- 7	530692	* Impeller, Oil Pressure Pump Driven . . . . .	1	All
- 8	531237	Housing, Oil Scavenge Pump . . . . .	1	BEGI
- 8	50373	* Housing, Oil Scavenge Pump . . . . .	1	BEGI
ATTACHING PARTS				
- 9	AN960-416L	Washer . . . . .	6	BEGI
-10	24861	Bolt, 1/4-20 X 1-3/8 Inch Long . . . . .	6	BEGI
* * * *				
-11	AN913-6	Plug, Pipe, 3/4 Inch . . . . .	1	BEGI
-12	531239	Impeller, Oil Scavenge Pump Driven . . . . .	1	BEGI
-12	35994	* Impeller, Oil Scavenge Pump Driven . . . . .	1	BEGI
-13	531238	Impeller, Oil Scavenge Pump Driving . . . . .	1	BEGI
-13	35993	* Impeller, Oil Scavenge Pump Driving . . . . .	1	BEGI
-14	A24845	Screen Assembly, Oil Scavenge Pump . . . . .	1	BEGI
-15	520054	Tube and Screen Assembly, Oil Pump Suction . . . . .	1	ACDFH
ATTACHING PARTS				
-16	24856	& Gasket . . . . .	1	All
-17	24831	Screw, 1/4-20 X 9/16 Inch Long . . . . .	2	BEGI
-17	AN74A5	Screw . . . . .	2	ACDFH
-18	24908	Clip . . . . .	1	ACDFH
-19	AN900-3	& Gasket . . . . .	1	ACDFH
-20	AN530-10-20	Screw . . . . .	1	ACDFH
-21	25027	Nut, Speed . . . . .	1	ACDFH
* * * *				
-22	A40661	Tube Assembly, Pressure Oil Pump Inlet . . . . .	1	BEGI
ATTACHING PARTS				
-23	535057	& O-Ring . . . . .	1	BEGI
-24	24854	Washer . . . . .	1	BEGI
-25	24857	Nut . . . . .	1	BEGI

\* These parts to be used only with standard capacity oil pressure and scavenge pump assemblies.

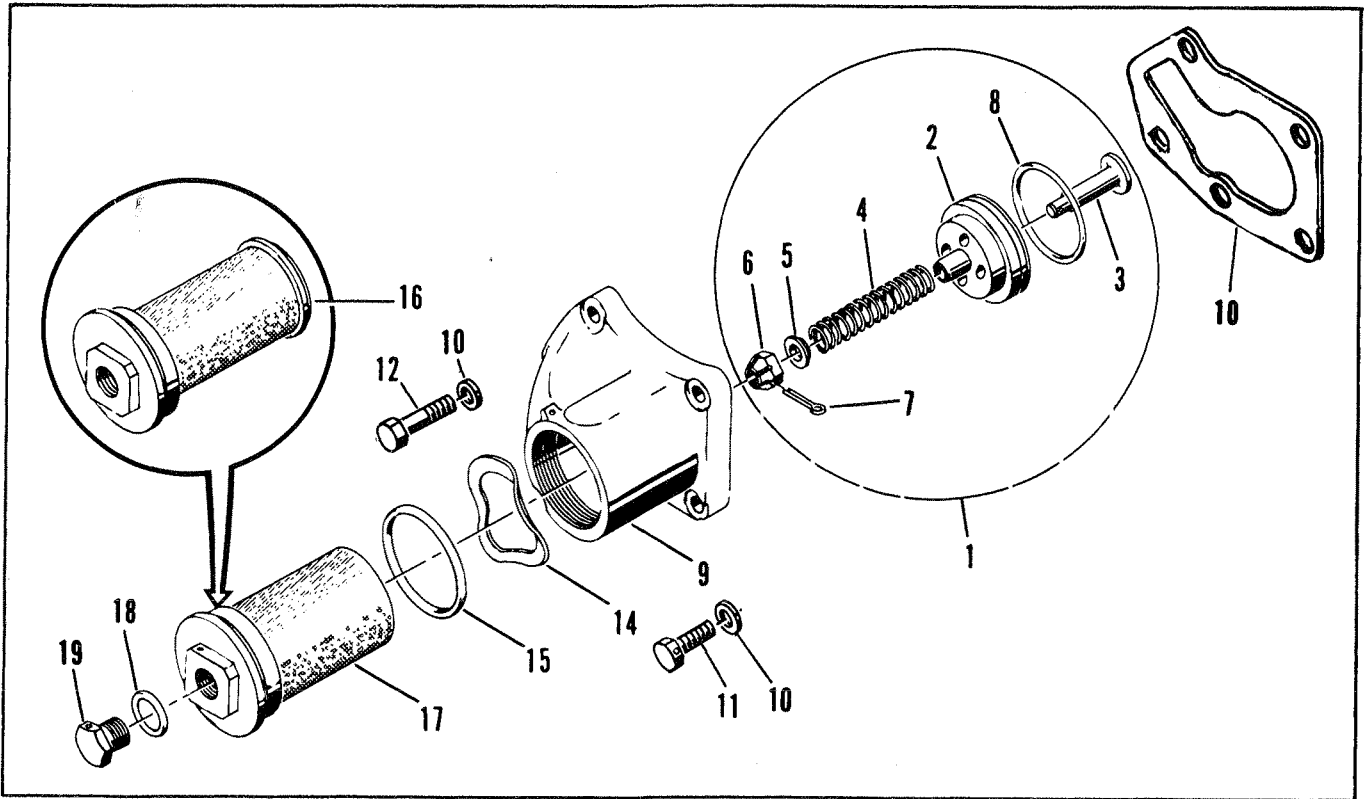


FIGURE 13. OIL SCREENS, HOUSING AND CHECK VALVE

FIG. & INDEX	PART NUMBER	DESCRIPTION	QTY.	USABLE ON CODE
13- 1	A25132	Valve Assembly, Oil Check	1	BEGI
- 2	530453	* . Seat	1	BEGI
- 3	25132	. Valve	1	BEGI
- 4	25134	. Spring	1	BEGI
- 5	25133	. Retainer	1	BEGI
- 6	AN364-1032C	. Nut, No. 10-32 Castle	1	BEGI
- 7	2501	. Pin, Cotter	1	BEGI
- 8	AN123882	& . O-Ring	1	BEGI
- 9	40660	Housing	1	All
ATTACHING PARTS				
-10	352057	& Gasket	1	All
-11	20522	Washer	5	All
-12	24872	Bolt, 1/4 X 1-5/8 Inch Long	2	All
-13	24873	Bolt, 1/4 X 1 Inch Long	3	All
* * * *				
-14	530452	** Washer, Spring	1	BEGI
-15	AN900-29	& Gasket	1	BEGI
-16	A25131	Screen Assembly	1	BEGI
-17	A35996	Screen Assembly	1	BEGI
-18	AN900-10	& Gasket	1	All
-19	2265	Plug	1	All

\* Install No. 530453 seat in all E185-1 below Serial No. 3694-D in lieu of original No. 26113 seat.  
 \*\* Spring Washer No. 530452 must be installed in Model E185-1 below Serial No. 4700-D having 5/16 inch deep counterbore for check valve seat in accessory case. Accessory cases with 1/2 inch deep counterbore do not require the spring washer.



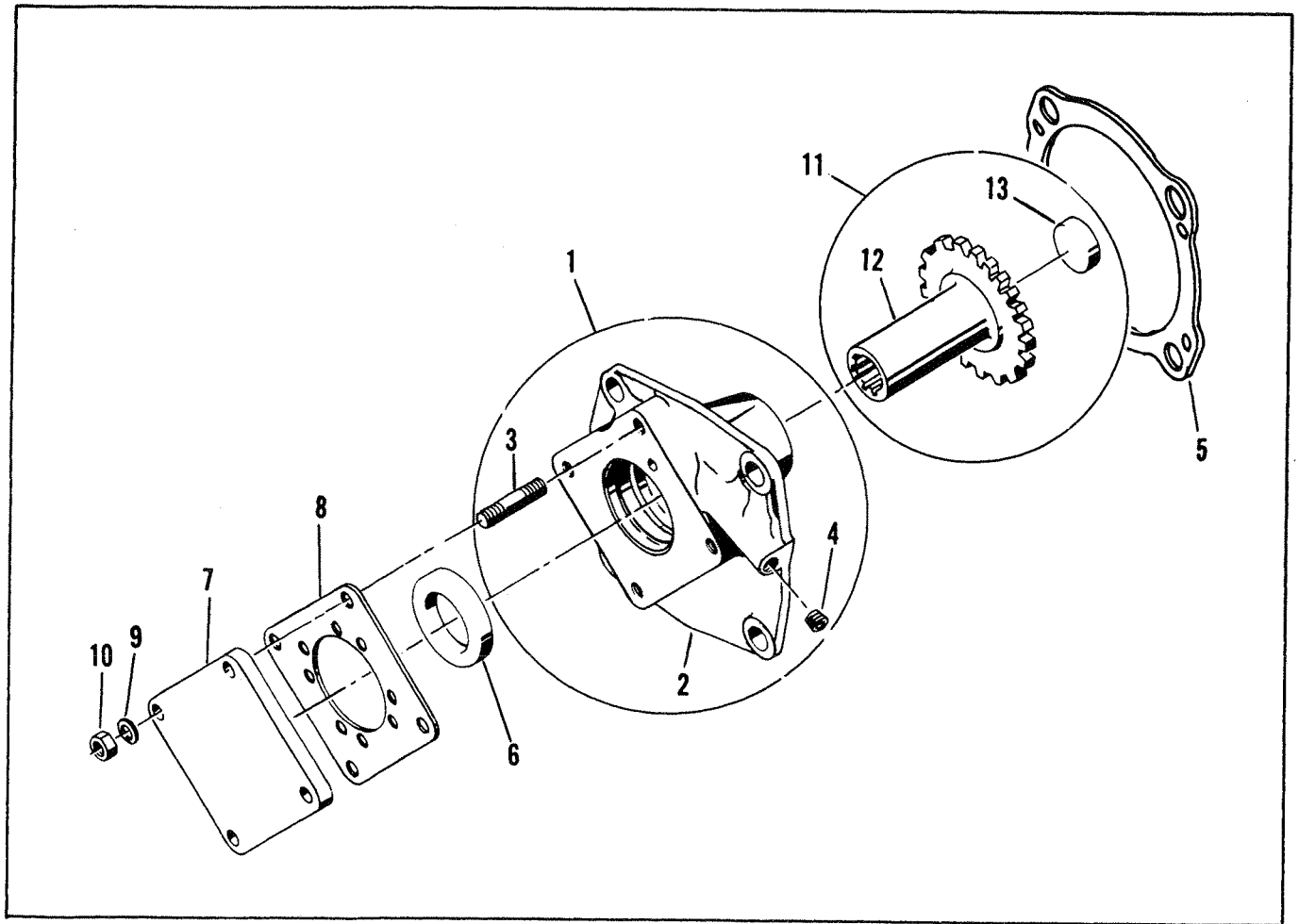


FIGURE 14. RIGHT SIDE ACCESSORY DRIVE

FIG. & INDEX	PART NUMBER	DESCRIPTION	QTY.	USABLE ON CODE
14- 1	A36055	Adapter Assembly, Right Side Accessory Drive . . . . .	1	B-I
- 2	No Number	. Adapter . . . . .	NS	B-I
- 3	25008	† . Stud, 1/4 X 1-3/8 Inch Long . . . . .	4	B-I
- 4	24907	. Plug . . . . .	1	B-I
- 5	36027	& Gasket, Right Side Accessory Drive (or Cover) . . . . .	1	All
- 6	25001	& Oil Seal . . . . .	1	B-I
- 7	25005	Cover . . . . .	1	B-I
ATTACHING PARTS				
- 8	AN4045-1	& Gasket . . . . .	1	B-I
- 9	20522	Washer . . . . .	4	B-I
-10	2437	Nut, 1/4-28 . . . . .	4	B-I
* * * *				
-11	A25004	Shaftgear Assembly . . . . .	1	B-I
-12	No Number	. Shaftgear . . . . .	NS	B-I
-13	25003	. Plug, Cup . . . . .	1	B-I

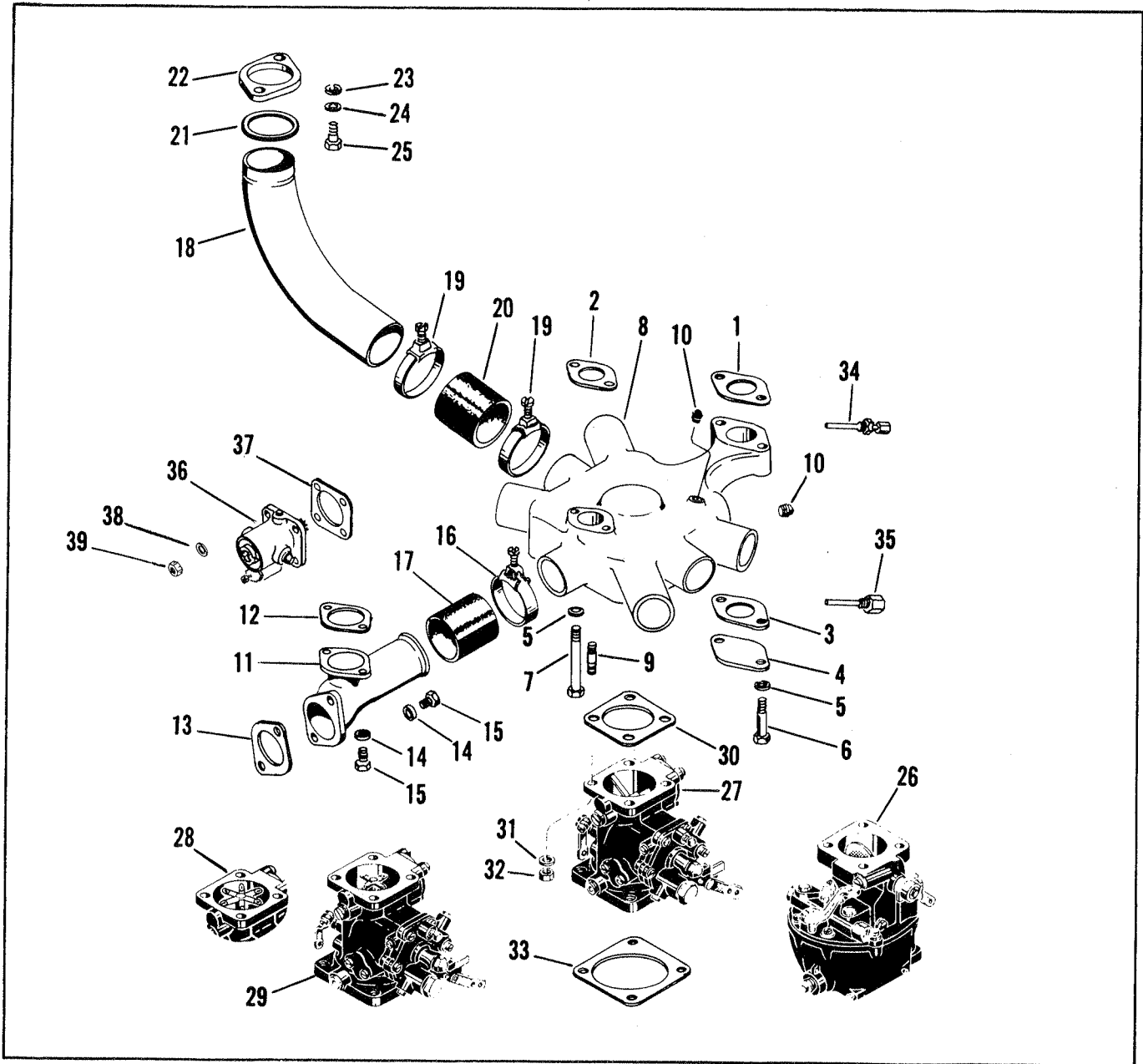


FIGURE 15. INDUCTION SYSTEM, CARBURETORS AND FUEL PUMP

FIG. & INDEX	PART NUMBER	DESCRIPTION	QTY.	USABLE ON CODE
15-	6757A1	Studding Assembly, Intake Manifold . . . . .	1	CDFH
	6757A4	Studding Assembly, Intake Manifold . . . . .	1	A
	534204A1	Studding Assembly, Intake Manifold . . . . .	1	BEGI
		ATTACHING PARTS		
- 1	352059	& Gasket . . . . .	1	All
- 2	352060	& Gasket . . . . .	1	All
- 3	352059	& Gasket . . . . .	1	ACDFH
- 4	352091	* Cover, Manifold Oil Drain . . . . .	AR	ACDFH
- 5	2473	Washer, Plain . . . . .	4	All
- 6	AN75A21	Bolt, Drilled Hex Head . . . . .	2	All
- 7	538999	** Bolt, Drilled Hex Head . . . . .	2	All
		* * * *		

FIG. & INDEX	PART NUMBER	DESCRIPTION	QTY.	USABLE ON CODE
15- 8	No Number	. Manifold, Intake and Oil Drain . . . . .	NS	All
- 9	22145	† . Stud, 5/16 X 1-3/8 Inch Long . . . . .	4	B-I
	530480	† . Stud, 5/16 X 1-5/8 Inch Long . . . . .	4	A
-10	629518-1H	. Plug, Square Head, 1/8 Inch NPT . . . . .	2	All
-11	50370	Housing, Oil Drain . . . . .	1	BEGI
ATTACHING PARTS				
-12	352063	& Gasket . . . . .	1	BEGI
-13	352064	& Gasket . . . . .	1	BEGI
-14	20522	Washer, Plain . . . . .	4	BEGI
-15	538999	Bolt, 1/4 X 3/4 Inch Drilled Hex Head . . . . .	2	BEGI
-16	36151E	Clamp, Hose . . . . .	2	All
-17	24827	Hose . . . . .	1	All
		* * * *		
-18	539670	Tube, Intake Manifold to Cylinder . . . . .	6	ACEFGHI
	539670	Tube, Intake Manifold to Cylinder . . . . .	2	BD
	40640A	\$ Tube, Intake Manifold to Cylinders 1 and 6 . . . . .	2	BD
	40640B	Tube, Intake Manifold to Cylinders 2 and 5 . . . . .	2	BD
ATTACHING PARTS				
-19	36151E	Clamp, Hose . . . . .	12	All
-20	24827	Hose . . . . .	6	All
-21	536740	& Seal, Intake Manifold to Cylinder . . . . .	6	All
-22	24826	Flange, Intake Manifold Tube . . . . .	6	All
-23	20522	Washer, Plain . . . . .	12	All
-24	AN936A416	Washer, Lock . . . . .	12	All
-25	24835	Bolt, 1/4 X 13/16 Inch Hex Head . . . . .	12	All
		* * * *		
-26	520120	Carburetor, Marvel-Schebler Model MA-4-5 . . . . .	1	A
-27	532624	Carburetor, Stromberg Model PS-5C . . . . .	1	BEG
-28	50377	Carburetor, Stromberg Model PS-5C . . . . .	1	CDF
	531857	Carburetor, Stromberg Model PS-5C . . . . .	1	H
-29	538342	Carburetor, Stromberg Model PS-5C . . . . .	1	I
ATTACHING PARTS				
-30	35985	& Gasket . . . . .	1	All
-31	2473	Washer, Plain . . . . .	4	All
-32	2439	Nut . . . . .	4	All
-33	25135	& Gasket . . . . .	1	All
		* * * *		
-34	352007	Jet Assembly, Primer (Solderless Fitting) . . . . .	1	All
-35	520087	Jet Assembly, Primer (For Brazing Type Cone Fitting) [Optional].	1	C-I
-36	520016	Pump, Fuel . . . . .	1	F
	530963	Pump, Fuel . . . . .	Opt	A-EGHI
ATTACHING PARTS				
-37	AN4045-1	& Gasket, . . . . .	1	All
-38	20522	Washer . . . . .	4	All
-39	2437	Nut . . . . .	4	All
		* * * *		

\* To be used on dry sump engines having a through-hole at front oil drain.

\*\* This bolt is interchangeable with Part No. 24724 on all E Series Engines.

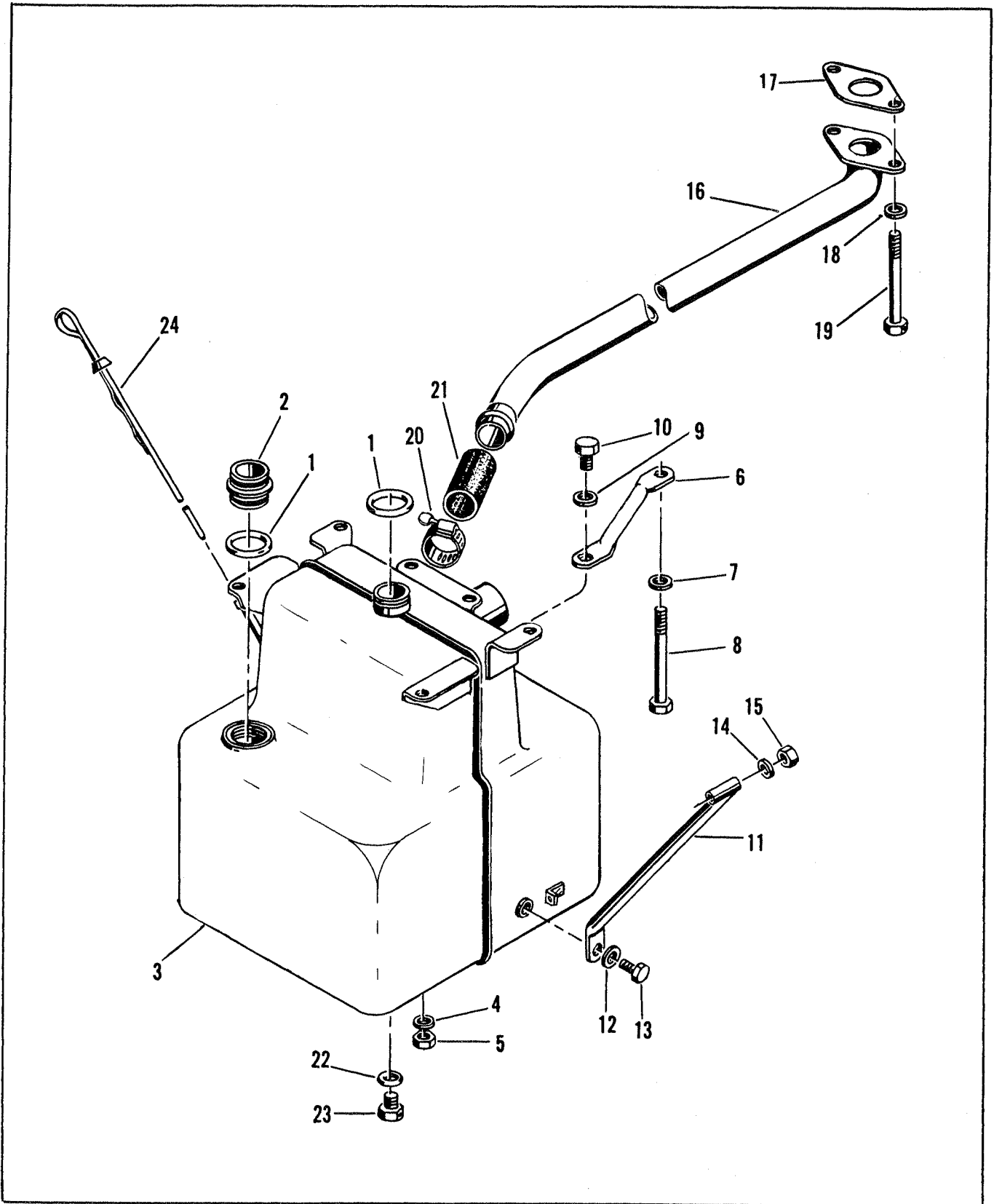


FIGURE 16. OIL SUMPS AND DRAIN TUBES

FIG. & INDEX	PART NUMBER	DESCRIPTION	QTY.	USABLE ON CODE
16- 1	AN123879	& O-Ring, Hydraulic .....	3	ACDFH
- 2	352092	Tube .....	1	ACDFH
	530394	Sump Assembly, Oil .....	1	A
- 3	352071	Sump Assembly, Oil .....	1	CDFH
		ATTACHING PARTS		
- 4	2473	Washer, Plain .....	6	ACDFH
- 5	2439	Nut .....	6	ACDFH
		* * * *		
- 6	352093	Bracket .....	1	ACDFH
		ATTACHING PARTS		
- 7	2473	Washer, Plain .....	4	ACDFH
- 8	538999	Bolt, 5/16 X 3-5/8 Inch Hex Drilled Head .....	2	ACDFH
- 9	2473	Washer, Plain .....	1	ACDFH
-10	530992	Bolt, 5/16 X 1/2 Inch Hex Drilled Head .....	1	ACDFH
		* * * *		
-11	352040	Bracket, Sump Support .....	2	ACDFH
		ATTACHING PARTS		
-12	2473	Washer, Plain .....	2	ACDFH
-13	350992	Bolt, 5/16 X 1/2 Inch Hex Drilled Head .....	2	ACDFH
-14	2473	Washer, Plain .....	2	ACDFH
-15	2439	Nut .....	2	ACDFH
		* * * *		
-16	530393	Tube Assembly, Oil Drain .....	1	A
-16	352088	Tube Assembly, Oil Drain .....	1	CDFH
		ATTACHING PARTS		
-17	352059	& Gasket .....	RF	All
-18	2473	Washer, Plain .....	RF	All
-19	AN75A21	Bolt, 5/16 X 2-11/64 Inch Hex Drilled Head .....	RF	All
-20	AN737TW56	Clamp, Hose .....	2	ACDFH
-21	531445	Hose, 1-3/4 OD X 3 Inch .....	1	ACDFH
		* * * *		
-22	AN900-10	& Gasket, Copper-Asbestos .....	1	ACDFH
-23	2265	Plug .....	1	ACDFH
-24	A36114	Rod Assembly, Oil Gauge .....	1	ACDFH

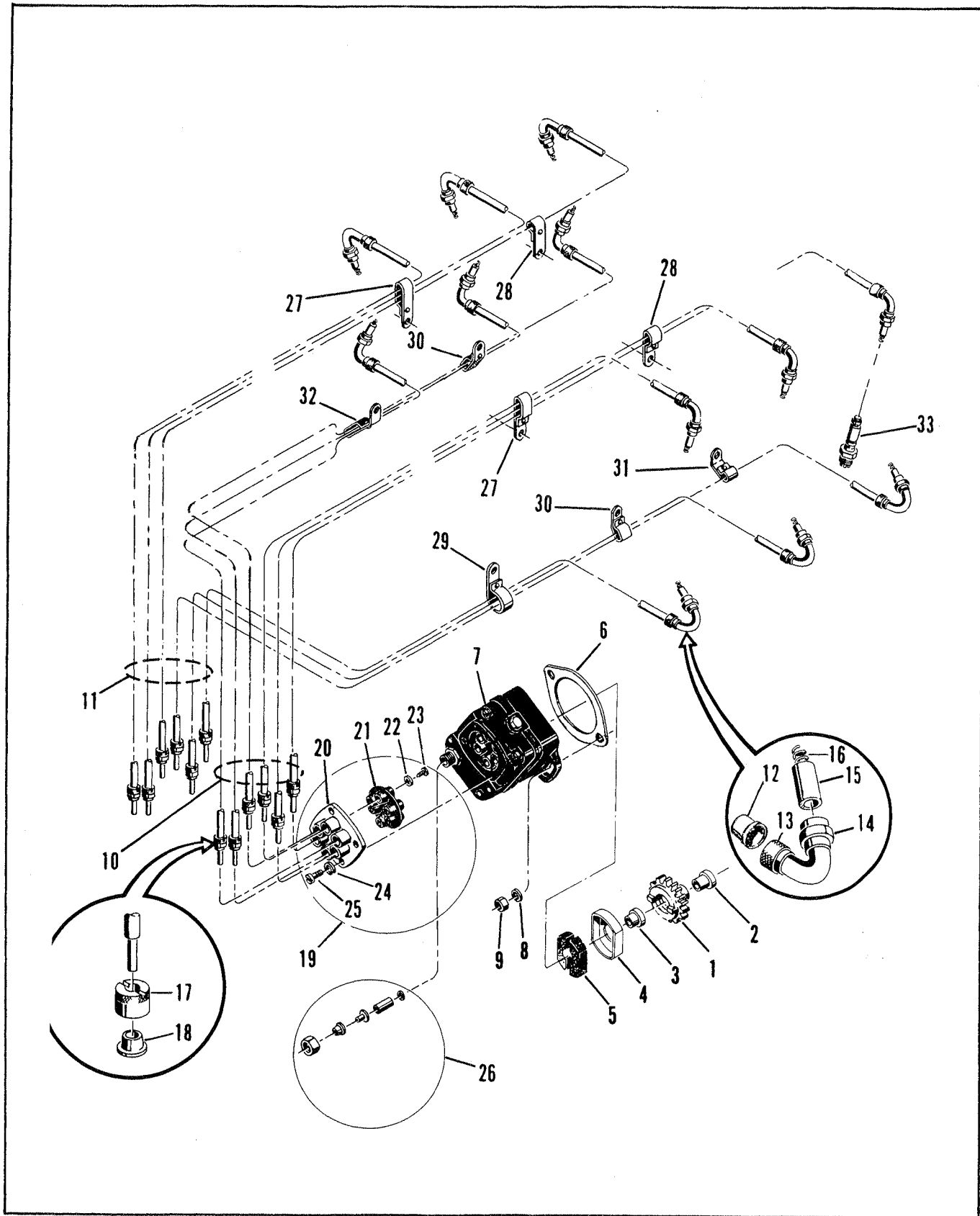


FIGURE 17. SCINTILLA IGNITION SYSTEM

FIG. & INDEX	PART NUMBER	DESCRIPTION	QTY.	USABLE ON CODE
17-	531180	Gear Assembly, Magneto Drive . . . . .	2	All
- 1	No Number	. Gear, Magneto Drive . . . . .	NS	All
- 2	No Number	. Bushing, Magneto Drive Gear . . . . .	NS	All
- 3	531177	. Sieve, Magneto Drive Gear . . . . .	1	All
- 4	531178	Retainer, Magneto Drive Coupling . . . . .	2	All
- 5	531179	Bushing, Magneto Drive Coupling . . . . .	4	All
- 6	535324	& Gasket, Magneto Flange . . . . .	2	All
- 7	531676	Magneto, Model S6LN-21 . . . . .	2	All
ATTACHING PARTS				
- 8	401506	Washer . . . . .	4	All
- 9	2439	Nut . . . . .	4	All
* * * *				
-10	625468	Harness Assembly, Right Magneto (1-3-5 Upper, 2-4-6 Lower) . . .	1	All
-11	625469	Harness Assembly, Left Magneto (1-3-5 Lower, 2-4-6 Upper) . . .	1	All
-12	WE502	. Ferrule . . . . .	6	All
-13	636675	. Nut, Cable-to-Elbow . . . . .	6	All
-14	636679	. Elbow Assembly . . . . .	6	All
-15	636682	. Connector . . . . .	6	All
-16	626718	. Nail . . . . .	6	All
-17	25302	. Nut, Ignition Cable Coupling . . . . .	6	All
-18	WE1049-1	. Ferrule, Ignition Cable Coupling . . . . .	6	All
-19	352023	Outlet Assembly, High Tension Outlet . . . . .	2	All
-20	25312	. Plate, 6-Cylinder Shielded Cable Outlet . . . . .	1	All
-21	36219	. Grommet . . . . .	1	All
-22	25388	. Washer, High Tension Contact . . . . .	6	All
-23	25387	. Screw, High Tension Contact . . . . .	6	All
-24	25321	. Washer, Lock . . . . .	4	All
-25	AN501-10-10	. Screw . . . . .	4	All
-26	352024	Kit, Ground Terminal . . . . .	2	All
-27	WE689	Bracket, Ignition Cable, Upper Cylinders . . . . .	2	All
-28	WE640	Bracket, Ignition Cable, Upper Cylinders . . . . .	2	All
-29	WE691	Bracket, Ignition Cable, Lower Cylinders 1-3-5 . . . . .	1	All
-30	WE690	Bracket, Ignition Cable, Lower Cylinders 3-5 and 4-6 . . . . .	2	All
-31	WE688	Bracket, Ignition Cable, Lower Cylinder No. 5 . . . . .	1	All
-32	WE691	Bracket, Ignition Cable, Lower Cylinders 2-4-6 . . . . .	1	All
-33	630378	Plug, Spark (Champion EM42E) . . . . .	12	A-H
	539433	Plug, Spark (AC5610223) . . . . .	12	I
	530203	Plug, Spark (BG706-S) . . . . .	Opt.	All
	530574	Plug, Spark (BG-RB485-S) . . . . .	Opt.	All

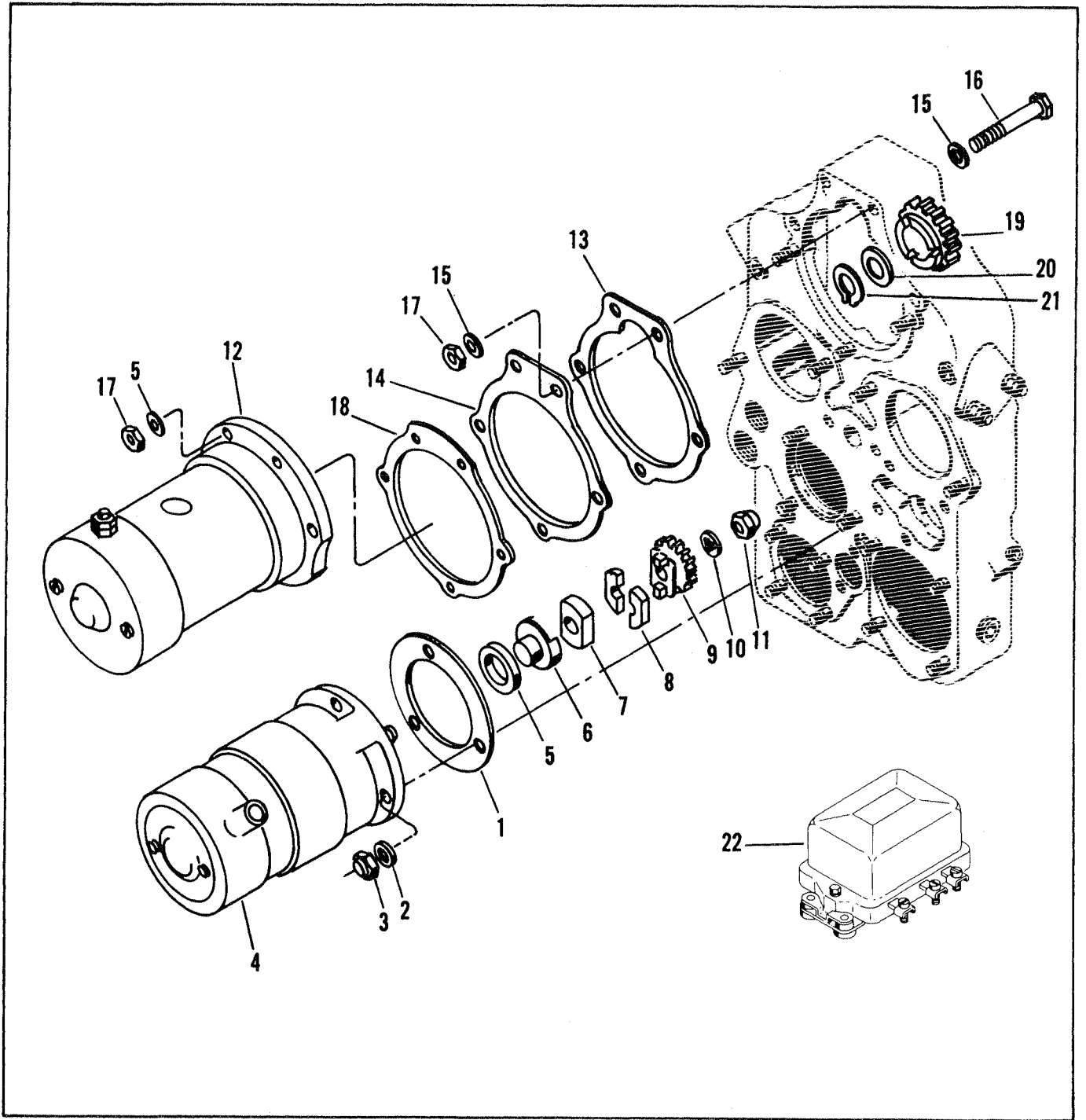


FIGURE 18. STARTER, GENERATOR AND VOLTAGE REGULATOR



FIG. & INDEX	PART NUMBER	DESCRIPTION	QTY.	USABLE ON CODE
18-	533730	Generator & Drive Assembly . . . . .	1	All
		ATTACHING PARTS		
- 1	352066	& Gasket, Generator . . . . .	1	All
- 2	2473	Washer, Plain . . . . .	3	All
- 3	21213	Nut, Self Locking. . . . .	3	All
		* * * *		
- 4	532701	. Generator, Delco-Remy No. 1101887, 35 Amp, 12 V . . . . .	1	All
- 5	352068	& . Seal, Generator Coupling Hub Oil . . . . .	1	All
- 6	352029	. Hub, Generator Coupling . . . . .	1	All
- 7	352030	. Retainer, Generator Coupling Disc . . . . .	1	All
- 8	530998	. Bushing, Generator Drive Coupling . . . . .	2	All
- 9	530997	. Gear, Generator Drive . . . . .	1	All
-10	401507	. Lockwasher . . . . .	1	All
-11	531231	. Nut, Elastic Stop . . . . .	1	All
-12	532207	Starter . . . . .	1	E-H
	530983	Starter . . . . .	Opt	EGHI
		ATTACHING PARTS		
-13	530341	& Gasket . . . . .	1	All
-14	531134	Adapter . . . . .	1	All
-15	2473	Washer, Plain . . . . .	9	All
-16	530347	Screw, 5/16 X 3-29/32 Inch Drilled Hex Head . . . . .	2	All
-17	2439	Nut . . . . .	7	All
-18	530340	& Gasket . . . . .	1	All
		* * * *		
-19	530338	Gear Assembly, Starter Jaw . . . . .	1	E-I
-20	530339	Washer, Starter Gear Thrust . . . . .	1	E-I
-21	530345	Ring, Retaining . . . . .	1	E-I
-22	532705	Regulator, Voltage (Delco-Remy No. 1118892) [Optional] . . . . .	1	All
-23	627322	Regulator, Voltage (Delco-Remy No. 1119220) . . . . .	1	All

## SECTION III

### OVERSIZE AND UNDERSIZE PARTS LIST

2389P003	Stud	.003" OS on PD	35976P010	Pivot	.010" OS on OD
2389P006	Stud	.006" OS on PD			
2389P009	Stud	.009" OS on PD	40644U010	Insert	.010" US on ID
			40644A1U010	Set	.010" US on ID
2390P003	Stud	.003" OS on PD			
2390P006	Stud	.006" OS on PD	40688P005	Ring	.005" OS on OD
2390P009	Stud	.009" OS on PD	40668P015	Ring	.015" OS on OD
			40668A1P005	Set	.005" OS on OD
2465P003	Stud	.003" OS on PD	40668A1P015	Set	.015" OS on OD
2465P006	Stud	.006" OS on PD			
2465P009	Stud	.009" OS on PD	40669P005	Ring	.005" OS on OD
			40669P015	Ring	.015" OS on OD
20100P003	Stud	.003" OS on PD			
20100P006	Stud	.006" OS on PD	40670P005	Ring	.005" OS on OD
20100P009	Stud	.009" OS on PD	40670P015	Ring	.015" OS on OD
22145P003	Stud	.003" OS on PD	50399P015	Piston	.015" OS on OD
22145P006	Stud	.006" OS on PD			
22145P009	Stud	.009" OS on PD	350997P003	Bushing	.003" OS on ID
22195P003	Stud	.003" OS on PD	350998	Bushing	.003" OS on ID
22195P006	Stud	.006" OS on PD			
22195P009	Stud	.009" OS on PD	401813P003	Stud	.003" OS on PD
			401813P007	Stud	.007" OS on PD
22386P005	Dowel	.005" OS on OD	401813P012	Stud	.012" OS on PD
22423P003	Stud	.003" OS on PD	515152P005	Guide	.005" OS on OD
22423P006	Stud	.006" OS on PD	515152P010	Guide	.010" OS on OD
22423P009	Stud	.009" OS on PD	515152P015	Guide	.015" OS on OD
			515152P020	Guide	.020" OS on OD
25008P003	Stud	.003" OS on PD			
25008P006	Stud	.006" OS on PD	530383U010	Insert	.010" US on ID
25008P009	Stud	.009" OS on PD	530386M010	Insert	.010" US on ID
25030P003	Stud	.003" OS on PD	530479P003	Stud	.003" OS on PD
25030P006	Stud	.006" OS on PD	530479P006	Stud	.006" OS on PD
25030P009	Stud	.009" OS on PD	530479P009	Stud	.009" OS on PD
35966P005	Insert	.005" OS on OD	530480P003	Stud	.003" OS on PD
35966P010	Insert	.010" OS on OD	530480P006	Stud	.006" OS on PD
35966O015	Insert	.015" OS on OD	530480P009	Stud	.009" OS on PD
36966P020	Insert	.020" OS on OD			
35966P030	Insert	.030" OS on OD	530808P020	Camshaft	.020" OS on OD
35967P005	Insert	.005" OS on OD	530948P010	Pivot	.010" OS on OD
35967P010	Insert	.010" OS on OD			
35967P015	Insert	.015" OS on OD	531005P003	Stud	.003" OS on PD
35967P020	Insert	.020" OS on OD	531005P006	Stud	.006" OS on PD
35967P030	Insert	.030" OS on OD	531005P009	Stud	.009" OS on PD

531145P003	Stud	.003" OS on PD	536939P005	Ring	.005" OS on OD
531145P006	Stud	.006" OS on PD	536939P015	Ring	.015" OS on OD
531145P009	Stud	.009" OS on PD			
			537044P003	Bushing	.003" OS on ID
531201P020	Camshaft	.020" OS on OD	537044P005	Bushing	.005" OS on ID
536563P005	Dowel	.005" OS on OD	539467P005	Pin, Piston	.005" OS on OD
536877P020	Camshaft	.020" OS on OD	534895P015	Piston	.015" OS on OD
536878P020	Camshaft	.020" OS on OD	401885P003	Stud	.003" OS on PD
			401885P007	Stud	.007" OS on PD
536938P005	Ring	.005" OS on OD	401885P012	Stud	.012" OS on PD
536938P015	Ring	.015" OS on OD			
536938A2P005	Set	.005" OS on OD			
536938A2P015	Set	.015" OS on OD			

## SECTION IV REPAIR PARTS SETS AND MATERIALS

PART NUMBER	DESCRIPTION	SIZE	MODEL
352026A2	Gasket Set	Standard	BEG1
352026A3	Gasket Set	Standard	ACFH
536938A2	Piston Ring Set	Standard	All
536938A2P005	Piston Ring Set	.005" OS on OD	All
536938A2P015	Piston Ring Set	.015" OS on OD	All
40668A1	Piston Ring Set	Standard	A-G
40668A1P005	Piston Ring Set	.005" OS on OD	A-G
40668A1P015	Piston Ring Set	.015" OS on OD	A-G
40644A1	Bearing Set	Standard	All
40644A1M010	Bearing Set	.010" US on OD	All
20705-1	Gasket Paste, Tite Seal, Lightweight	1 oz. tube	All
626531-1	Enamel, Gold, Engine	1 Quart	All
626531-2	Enamel, Gold, Engine	1 Gallon	All
535011	Lockwire, 0.040 in. Dia. Steel	Order by the foot	All

## SECTION V NUMERICAL PARTS LIST

PART NUMBER	FIGURE & INDEX	QTY PER ASSY	PART NUMBER	FIGURE & INDEX	QTY PER ASSY
AN123879	16-01	3	A36114	16-24	1
AN123882	13-08	1	A36121	5-	6
AN280H304	11-06	1	A40661	12-22	1
AN364-1032C	13-06	1	A40747	3-29	1
AN381-25-8	5-05	12	A40748	3-29	1
AN4-11A	2-04	12	MS122121	8-04	12
AN4-13A	2-16	2	X1454	4-31	1
AN4045-1	9-12	1	X1794B	4-09	1
	11-07	2	20092	3-30	1
	14-08	1	20100	1-04	8
	15-37	Rf	20202	2-10	16
AN5-14A	2-19	7	2024	1-12	1
AN5-32A	2-22	1		10-08	1
AN501-10-10	17-25	4		10-09	1
AN530-10-20	12-20	1	2025	3-11	1
AN6-47A	2-07	2		10-10	1
AN737TW56	16-20	2		10-11	1
AN74A5	9-21	2	203382	9-13	4
	12-17	2	20522	2-03	24
AN75A21	15-06	2		2-15	4
	16-19	Rf		3-04	18
AN822-10D	9-38	1		8-31	42
AN842-10	3-01	1		9-04	4
AN900-10	1-13	2		9-07	4
	10-21	1		9-14	4
	13-18	1		9-24	1
	16-22	1		12-01	1
AN900-14	9-34	1		13-11	5
	9-36	1		14-09	4
AN900-29	13-15	1		15-14	4
AN900-3	12-19	1		15-23	12
AN913-6	12-11	1		15-38	Rf
AN936A416	8-32	42	20882	1-10	1
	9-05	4	21007	8-24	12
	9-08	4		8-27	6
	12-02	1	21080	1-09	2
	12-09	6	21113	9-37	1
	15-24	12	21114	9-32	1
AN936A516	8-20	6	21163	9-27	1
A24814	8-	6	21213	18-03	3
A24815	8-	6	21493	8-33	6
A24845	12-14	1	22022	8-35	12
A25004	14-11	1	22145	1-06	4
A25131	13-16	1		15-09	4
A25132	13-01	1	22195	10-06	4
A35996	13-17	1	22366	4-22	1
A36055	14-01	1	22423	1-05	18

PART NUMBER	FIGURE & INDEX	QTY PER ASSY	PART NUMBER	FIGURE & INDEX	QTY PER ASSY
22534	6-08	4	2474	3-22	2
2265	1-14	2	24764	2-02	6
	10-22	1	24770	4-16	1
	13-19	1	24802	8-17	24
	16-23	1	24823	9-35	1
2274	3-17	8	24826	15-22	6
	3-20	8	24827	15-17	1
23406	10-13	1		15-20	6
2389	10-03	4	24829	9-06	4
2390	1-08	6	24831	12-17	2
24239	2-06	4	24832	12-03	1
2437	2-05	12	24834	9-25	2
	2-17	2	24835	9-03	2
	3-05	18		15-25	12
	9-15	4	24846	10-14	2
	14-10	4	24854	12-24	1
	15-39	Rf	24856	12-16	1
2439	2-20	7	24857	12-25	1
	2-24	1	24861	12-10	6
	3-21	6	24872	13-12	2
	9-31	4	24873	13-13	3
	10-26	4	24907	14-04	1
	15-32	4	24908	12-18	1
	16-05	6	24978	4-17	1
	16-15	2	24983	4-21	8
	17-09	4	24984	4-20	8
	18-17	7	25001	14-06	1
2441	2-08	2	25003	14-13	1
	3-18	2	25005	9-11	1
	3-23	2		14-07	1
2457	3-07	2	25007	9-18	1
	3-14	4	25008	14-03	4
2465	10-02	3	2501	3-08	1
	10-04	3		3-15	1
	10-05	4		13-07	1
2472	9-14	4	25024	3-33	8
2473	2-18	14	25025	3-27	1
	2-21	2		3-31	1
	2-23	2	25026	3-32	8
	8-21	6	25027	12-21	1
	9-30	4	25030	1-07	6
	10-25	4	25042	6-04	12
	15-05	4	25055	10-12	1
	15-31	4	25102	11-03	1
	16-04	6	25132	13-03	1
	16-07	4	25133	13-05	1
	16-09	1	25134	13-04	1
	16-12	2	25135	15-33	1
	16-14	2	25164	2-14	2
	16-18	Rf	25171	2-09	4
	18-02	3	25302	17-17	3
	18-15	9	25312	17-20	1
			25321	17-24	4

PART NUMBER	FIGURE & INDEX	QTY PER ASSY	PART NUMBER	FIGURE & INDEX	QTY PER ASSY
25387	17-23	6	35994	12-12	1
25388	17-22	6	35999	9-17	1
350992	16-13	2	36007	2-25	2
350997	4-06	4	36025	9-02	2
350998	4-03	2	36027	9-29	1
352007	15-34	1		14-05	1
352012	6-07	1	36047	4-19	1
352014	9-16	1	36048	4-18	1
352017	11-05	1	36151E	15-16	2
352018	11-04	1		15-19	12
352023	17-19	2	36219	17-21	1
352024	17-26	2	401506	17-08	4
352029	18-06	1	401507	18-10	1
352030	18-07	1	401813	10-05	4
352035	3-13	1	401855	8-09	12
352040	16-11	2	40638	3-26	1
352043	3-24	4	40639	3-26	1
352058	3-03	6	40640A	15-	2
352057	13-10	1	40640B	15-	2
352059	15-01	1	40644	4-15	2
	15-03	1	40652	8-11	6
	16-17	Rf	40660	13-09	1
352060	15-02	1	40668	7-02	6
352061	11-01	1	40669	7-03	6
352062	9-23	1	40670	7-04	6
352063	15-12	1	40725	9-28	1
352064	15-13	1	40759	3-16	1
352065	10-24	2	40760	3-16	1
352066	18-01	1	501868	3-09	2
352068	18-05	1	50370	15-11	1
352069	9-01	1	50373	12-08	1
352071	16-03	1	50377	15-28	1
352088	16-16	1	50399	7-01	6
352091	15-04	AR	50399A1	7-	6
352092	16-02	1	50444	3-19	1
352093	16-06	1	50445	3-19	1
352106	9-09	1	515152	8-07	12
352107	9-10	3	520004	9-19	1
352111	10-20	1	520013	4-23	1
352117	4-	1	520016	15-36	1
352174A2	4-	1	520047	6-09	12
352176A1	9-01	1	520054	12-15	1
352178	10-	1	520055	2-01	1
35966	8-05	6	520087	15-35	1
35967	8-06	6	520105	8-14	12
35971	8-16	12	520106	8-13	12
35972	5-03	12	520112	8-08	12
35976	3-06	1	520120	15-26	1
35978A1	9-22	1	520124	1-11	2
35979	10-23	2		10-16	1
35985	15-30	1		10-17	1
35993	12-13	1	530028	10-13	1

PART NUMBER	FIGURE & INDEX	QTY PER ASSY	PART NUMBER	FIGURE & INDEX	QTY PER ASSY
530203	17-	Opt	531109	10-	1
530338	18-19	1	531128	6-02	12
530339	18-20	1	531134	18-14	1
530340	18-19	1	531145	1-03	36
530341	18-13	1	531151	1-	1
530342	4-29	1	531152	1-	1
530345	18-21	1	531177	17-03	1
530346	3-10	2	531178	17-04	2
530347	18-16	2	531179	17-05	4
530367	8-23	6	531180	17-	2
	8-26	6	531183	8-38	12
530371	11-08	1	531186	3-02	6
530377	10-	1	531201	6-06	1
530383	4-13	2	531205	2-11	8
530386	4-14	8	531231	18-11	1
530393	16-16	1	531237	12-08	1
530394	16-	1	531238	12-13	1
530443	11-02	1	531239	12-12	1
530452	13-14	1	531240	11-05	1
530453	13-02	1	531241	3-16	1
530470	2-13	1	531242	3-16	1
530479	10-07	4	531248	3-19	1
530480	15-	4	531249	3-19	1
530551	10-15	2	531435	4-30	1
	12-05	2	531445	16-21	1
530574	17-	Opt	531569	12-	1
530635	8-36	12	531676	17-07	1
530658	5-02	6	531857	15-	1
530671	9-20	2	532200	8-01	6
530692	12-07	1	532207	18-12	1
530693	12-06	1	532450	8-28	1
530694	12-07	1	532451	8-29	6
530695	12-06	1	532491	4-25	1
530808	6-06	1	532624	15-27	1
530817	3-28	1	532701	18-04	1
530818	3-28	1	532705	18-22	1
530823	3-25	1	533355	10-19	1
530824	3-25	1	533399	6-03	12
530838	9-33	1	533400	6-01	12
530859	4-24	1	533730	18-	1
530940	6-05	12	534204A1	15-	1
530948	3-12	1	534438	10-28	AR
530949	3-	1	534439	10-28	AR
530963	15-	Opt	534440	10-27	AR
530983	18-	Opt	534506	4-25	1
530992	16-10	1	534895	7-01	6
530997	18-09	1	534895A1	7-	6
530998	18-08	2	534904	4-33	6
531001	2-12	16	535057	8-37	24
	8-02	36		12-23	1
531005	10-04	5	535063	10-18	1

PART NUMBER	FIGURE & INDEX	QTY PER ASSY
535118	8-30	42
535324	17-06	2
535666	8-19	6
536360	4-29	1
536374	4-28	1
536379	4-32	6
536524	2-26	1
536563	4-26	1
536699	3-19	1
536701	3-19	1
536709	3-19	1
536710	3-19	1
536740	15-21	6
536786	3-29	1
536790	3-29	1
536791	3-28	1
536792	3-28	1
536877	6-06	1
536878	6-06	1
536888	6-07	1
536913	3-29	1
536914	3-29	1
536938	7-02	6
536938	7-03	6
536939	7-04	6
537019	6-08	4
537044	4-04	2
	4-08	4
537049	4-	1
537490	6-09	12
537542	10-25	4
537561A2	4-	1
538342	15-29	1
538931-11.00	2-26	2
538999	15-07	2
	15-15	2
	16-08	2

PART NUMBER	FIGURE & INDEX	QTY PER ASSY
539433	17-	12
539467	7-05	6
539670	15-18	6
539738-11.06	2-25	1
625142	8-18	24
625393	8-15	12
625468	17-10	1
625469	17-11	1
626140	5-04	12
626718	17-16	6
626540	8-12	6
627322	18-22	1
627429	8-34	6
628051	8-	6
628051A1	8-	6
629104	4-12	8
629518-1	8-10	6
629518-1H	15-10	2
630261-4	4-10	4
630378	17-33	12
630651	4-27	1
634888	2-01	1
634889	2-01	1
634891	2-01	1
634892	2-01	1
635161	3-34	1
635623	4-11	8
635726	2-01	1
635727	2-01	1
635728	2-01	1
6757A1	15-	1
6757A4	15-	1
636675	17-13	6
636679	17-14	6
636682	17-15	6







**Continental Motors, Inc.**  
**[www.continentalmotors.aero](http://www.continentalmotors.aero)**