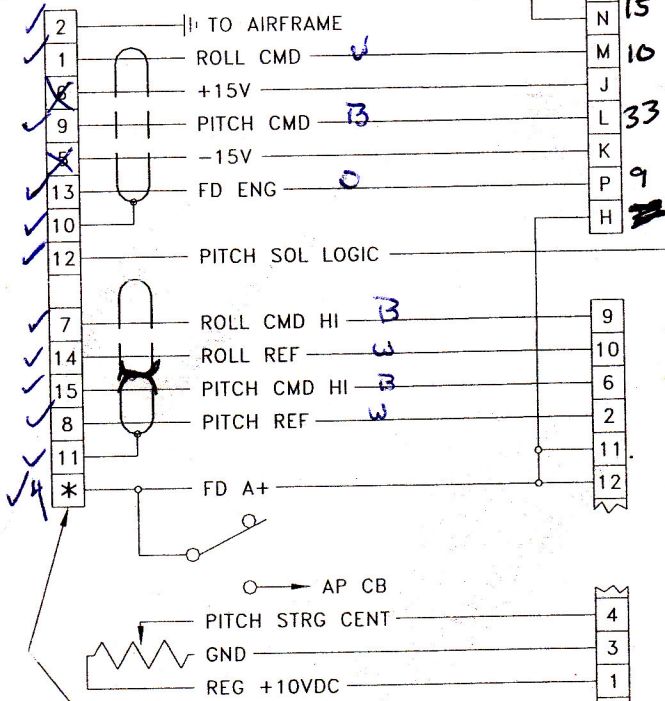


STEERING HORIZON INTERFACE P/N 01180

STEERING HORIZON KI 256



WHT/RED (REF.) (SPLICE INTO EXISTING WIRE)

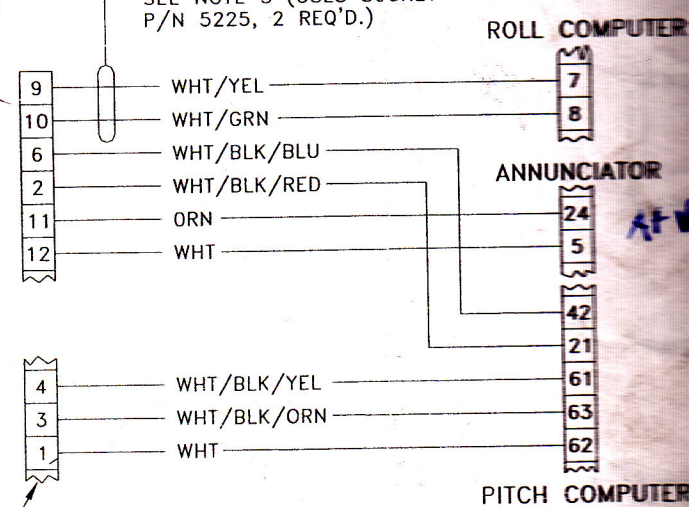
SEE NOTE 3 (USES SOCKET P/N 5225, 2 REQ'D.)

CONNECTOR P/N 34136 (SOCKET P/N 5208, 14 REQ'D.) 55230 COVER, 61138 LOCKLEVER

OPTION CONNECTOR (P/O A/P CABLE ASSY.)

* PIN 4 FOR 28V PIN 3 FOR 14V

CONNECTOR P/N 3318 (PIN P/N 5224, 9 REQ'D.)



N/A	BULLETIN 670	
NEXT ASSY	USED ON	
APPLICATION		

@ s-tee.com

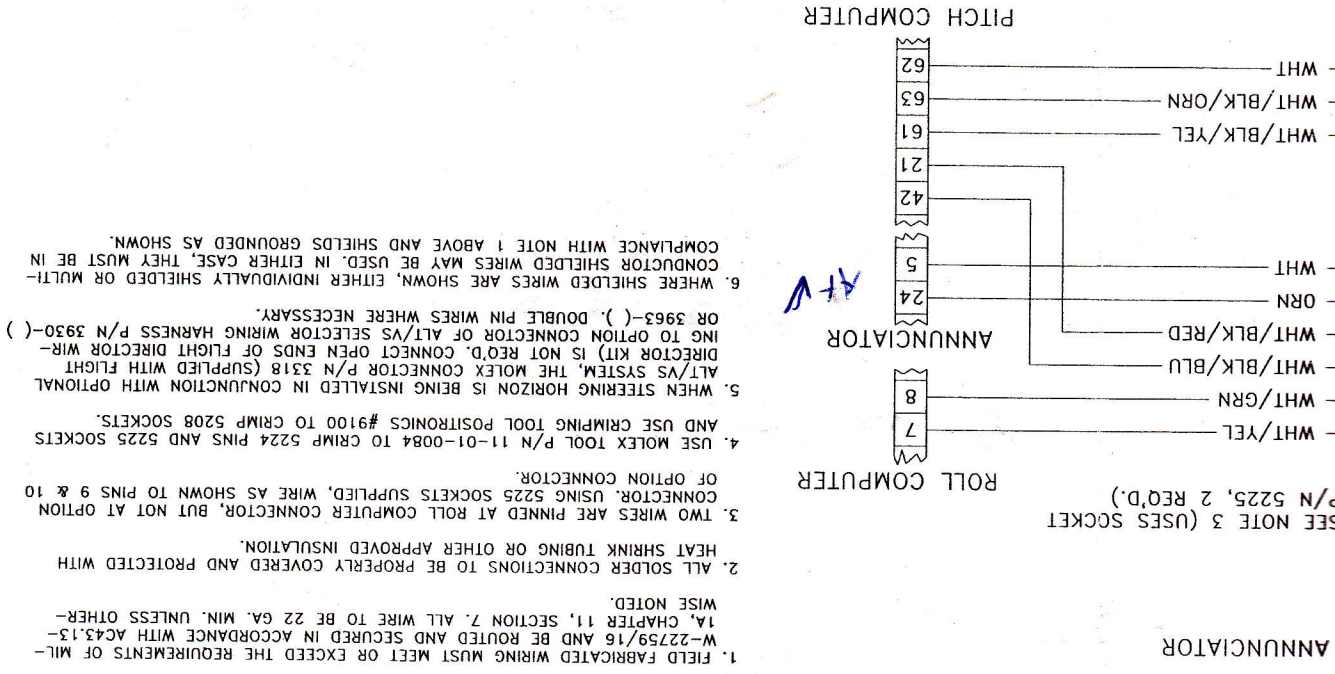
MAST

JH Ident

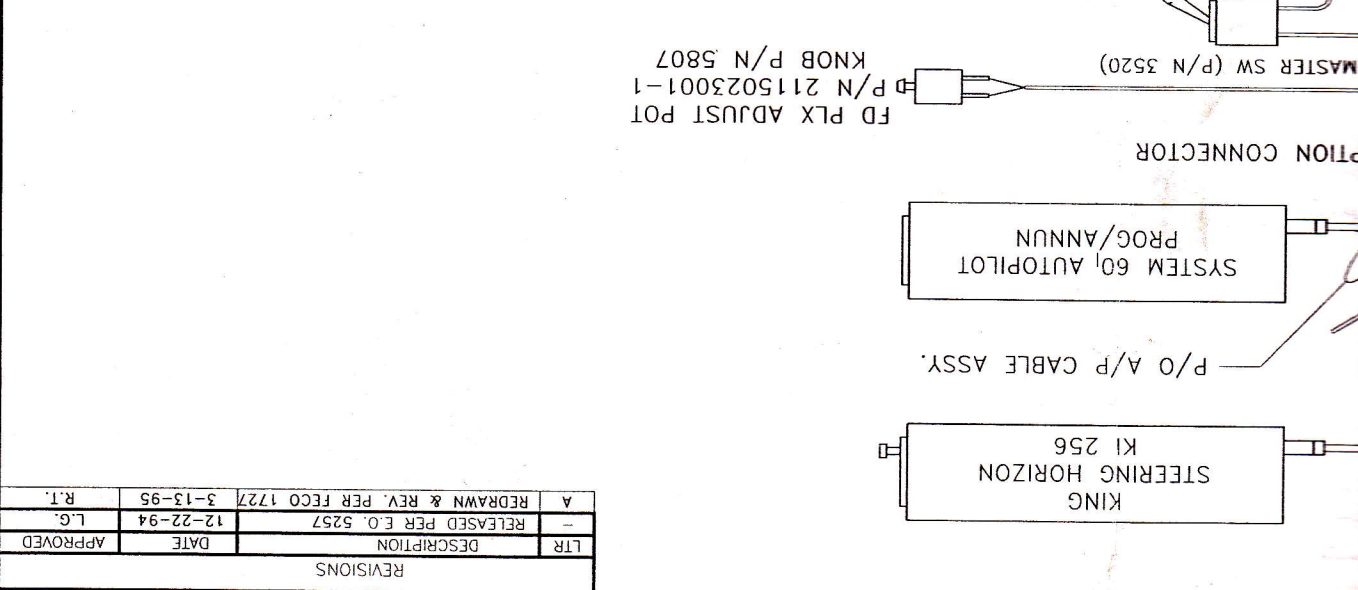
	TK-011/TK-016	
	TK-027/TK-078	
	TK-017/TK-034	
NEXT ASSY	TK-007/TK-021	
	TK-007/TK-009	
APPLICATION		

MASTER COPY

APPLICATION		SCALE N/A		SHEET 1 OF 1	
NEXT ASSY	USED ON	FINISH	SIZE	DRAWING NO.	
N/A	BULLETIN 670	N/A	C	9917Z	
DO NOT SCALE DRAWING		TITLE			
BREK SWAP EDGES 010	APPROVED: THOMAS 12-22-94	EXTERNAL WIRING SYSTEM 60, KING			
REMOVE BURRS	ENGINEER: J. MOORE 12-22-94	HORIZON INTERFACE BOX (KI 256)			
ANGLES: +/- 0 - 30	CHECKED: K.S.H. 12-22-94	S-TEC CORPORATION			
FRACTIONS: +/- 1/64	DRAWN: R.T. 3-30-92	FT. WOLTERS, TX			
DECIMALS: XX +/- .010					
DECIMALS: XXX +/- .005					
TOLERANCES UNLESS OTHERWISE SPECIFIED					



- NOTES:
- FIELD FABRICATED WIRING MUST MEET OR EXCEED THE REQUIREMENTS OF MIL-W-22759/16 AND BE ROUTED AND SECURED IN ACCORDANCE WITH AC43.13-1A, CHAPTER 11, SECTION 7. ALL WIRE TO BE 22 GA. MIN. UNLESS OTHERWISE NOTED.
 - ALL SOLDER CONNECTIONS TO BE PROPERLY COVERED AND PROTECTED WITH HEAT SHRINK TUBING OR OTHER APPROVED INSULATION.
 - TWO WIRES ARE PINNED AT ROLL COMPUTER CONNECTOR, BUT NOT AT OPTION CONNECTOR. USING 5225 SOCKETS SUPPLIED. WIRE AS SHOWN TO PINS 9 & 10 OF OPTION CONNECTOR.
 - USE MOLEX TOOL P/N 11-01-0084 TO CRIMP 5224 PINS AND 5225 SOCKETS AND USE CRIMPING TOOL POSITIONS #9100 TO CRIMP 5208 SOCKETS.
 - WHEN STEERING HORIZON IS BEING INSTALLED IN CONJUNCTION WITH OPTIONAL ALT/VIS SYSTEM, THE MOLEX CONNECTOR P/N 3318 (SUPPLIED WITH FLIGHT DIRECTOR KIT) IS NOT REQ'D. CONNECT OPEN ENDS OF FLIGHT DIRECTOR WIRING TO OPTION CONNECTOR OF ALT/VIS SELECTOR WIRING HARNESS P/N 3930-() OR 3963-(). DOUBLE PIN WIRES WHERE NECESSARY.
 - WHERE SHIELDED WIRES ARE SHOWN, EITHER INDIVIDUALLY SHIELDED OR MULTICONDUCTOR SHIELDED WIRES MAY BE USED. IN EITHER CASE, THEY MUST BE IN COMPLIANCE WITH NOTE 1 ABOVE AND SHIELDS GROUNDED AS SHOWN.



REVISIONS			
LTR	DESCRIPTION	DATE	APPROVED
-	RELEASED PER E.O. 5257	12-22-94	L.G.
A	REDRAWN & REV. PER FECON 1727	3-13-95	R.T.